



Miniature 25 Amps • 1PDT To MIL-R-6106 DC Suppressed Coils

SPECIFICATIONS

GENERAL

Contact Arrangement 1PDT (1 Form C)
Weight 1.6 oz approx.
 Designed to meet the requirements of MIL-R-6106

PERFORMANCE

Contact Rating (Note 1):

Resistive 25 Amps @ 28 VDC or
 115/208V 400 Hz
 (Case Grounded)

Inductive 15 Amps @ 115/208V 400 Hz
 (Case Grounded)
 12 Amps @ 28 VDC
 (Case Grounded)

Motor 10 Amps @ 28 VDC or
 115/208V 400 Hz
 (Case Grounded)

Lamp 5 Amps @ 28 VDC or
 115/208V 400 Hz
 (Case Grounded)

Life 50,000 operations minimum @ rated
 resistive load, 125°C

Pull In Power 500 mw approx.

Operate/Release Time: **DC Coil**
 15 ms max
 Excluding bounce time at nominal coil voltage

Contact Bounce Time 1 ms max
 @ rated contact load, 28 VDC

Contact Voltage Drop:

Before Life 150 mv max @ 25 Amps
 and 6 VDC

After Life 175 mv max @ 25 Amps
 and 6 VDC

ENVIRONMENTAL

Temperature Range -70°C to +125°C

Vibration (Note 2) 0.12" DA 10 - 70 Hz
 30 G's 70 - 3,000 Hz

Shock (Operating)(Note 2) 200 G's 6 ms

ELECTRICAL CHARACTERISTICS

Duty Cycle Continuous

Insulation Resistance 100 megohms
 @ 500V 25°C

Dielectric Strength:

Sea Level:

Contact to Case 1,250 VRMS

Contact to Coil 1,250 VRMS

Coil to Case 1,000 VRMS

Across Open Contacts 1,250 VRMS

80,000 Feet:

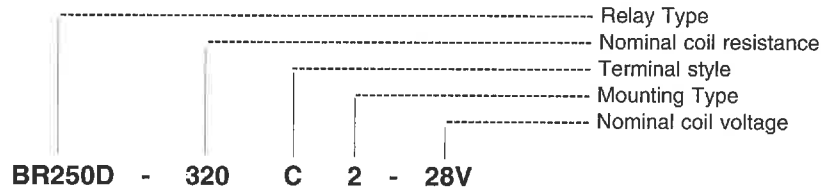
All Points 350 VRMS

Notes:

- For other ratings consult the factory.
- For applications requiring higher shock and vibration, consult the factory.

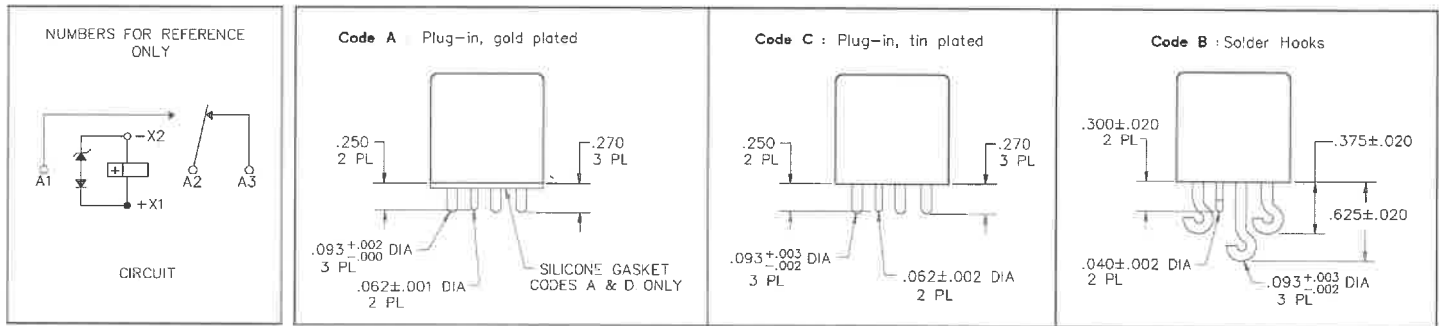
COIL DATA:

MODEL BR250D PART NUMBER	BR250D-20()-6V	BR250D-80()-12V	BR250D-320()-28V	BR250D-1000()-48V
NOMINAL COIL VOLTAGE	6 VDC	12 VDC	28 VDC	48 VDC
MAXIMUM COIL VOLTAGE	8 VDC	15 VDC	29 VDC	59 VDC
PULL IN VOLTAGE (MAX @ +125°C)	4.5 VDC	9 VDC	18 VDC	36 VDC
DROP OUT VOLTAGE (MAX)	1.8 VDC	3.5 VDC	5.1 VDC	11 VDC
MAXIMUM BACK EMF	9 VDC	18 VDC	42 VDC	72 VDC
COIL RESISTANCE ± 10% @ 25°C	20 OHMS	80 OHMS	320 OHMS	1000 OHMS

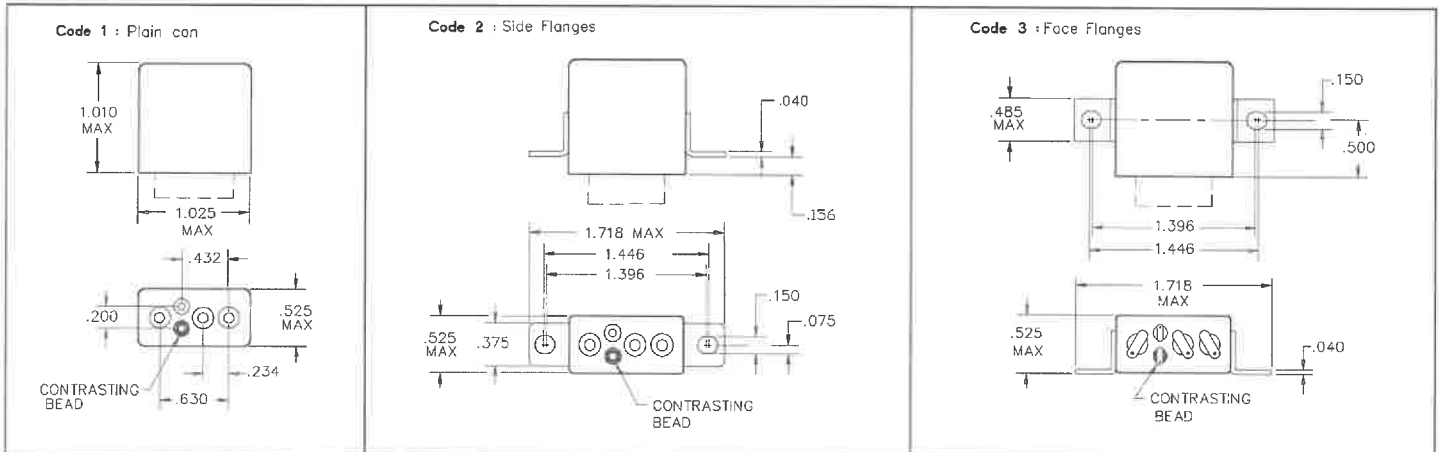


SCHEMATIC

TERMINAL STYLES



MOUNTING CODES



GENERAL NOTES

- Unless otherwise specified, all tests made at nominal coil voltages, @ 25°C.
- For special coil variations, switching configurations, terminal styles and mounting types, consult the factory.
- Unless otherwise specified, tolerances on decimal dimensions are ± .010".
- Specifications contained herein are subject to change without notice.