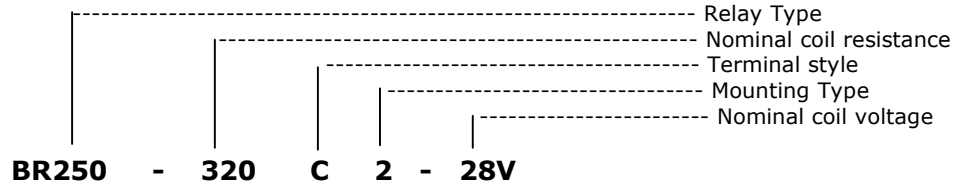




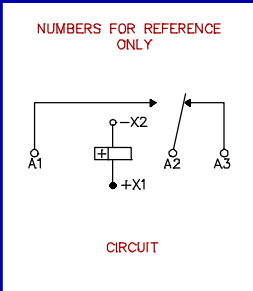
## COIL DATA:

MODEL BR250 PART NUMBER	BR250-20() <sup>(1)</sup> -6V	BR250-80() <sup>(1)</sup> -12V	BR250-320() <sup>(1)</sup> -28V	BR250-1000() <sup>(1)</sup> -48V	BR250AC-() <sup>(1)</sup> -115V (Note 3)
NOMINAL COIL VOLTAGE	6 VDC	12 VDC	28 VDC	48 VDC	115 VAC
MAXIMUM COIL VOLTAGE	8 VDC	15 VDC	29 VDC	59 VDC	122 VAC
PULL IN VOLTAGE (MAX @ +125°C)	4.5 VDC	9 VDC	18 VDC	36 VDC	90 VAC
DROP OUT VOLTAGE (MAX)	1.8 VDC	3.5 VDC	5.1 VDC	11 VDC	5 - 30 VAC
COIL RESISTANCE ± 10% @ 25°C	20 OHMS	80 OHMS	320 OHMS	1000 OHMS	I = 0.04 AMPS

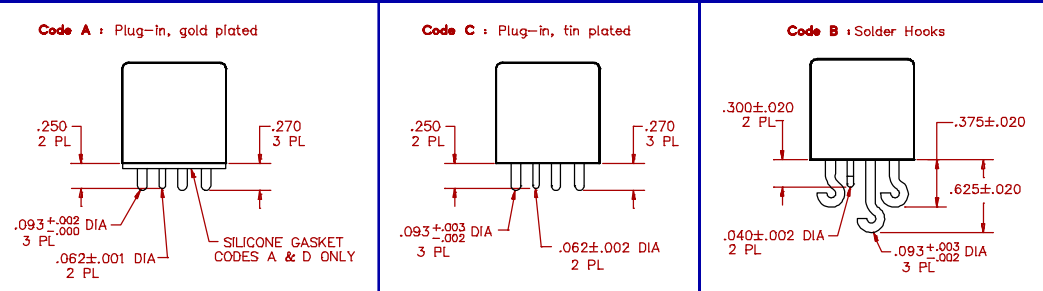


## SCHEMATIC

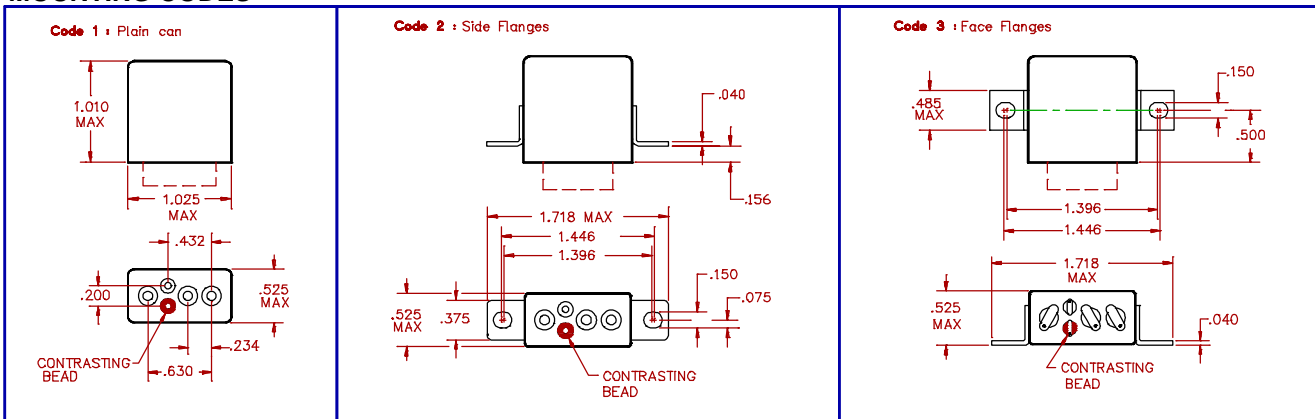
### TERMINAL VIEW



### TERMINAL STYLES



## MOUNTING CODES



## GENERAL NOTES

- Unless otherwise specified, all tests made at nominal coil voltages, @ 25°C.
- For special coil variations, switching configurations, terminals styles and mounting types, consult the factory.
- Unless otherwise specified, tolerances on decimal dimensions are ± .010".
- Specifications contained herein are subject to change without notice.