

Rebling Datasheet

750 AMP BFT-STYLE FEED THROUGH TERMINAL

Our 750 amp BFT Style terminal consists of a nickel-plated brass core which stays cool at 750 amps of continuous current or when charge and discharge currents hit short term peaks of 4,000 amps. These small footprint terminals are designed for the temperature sensitive environment of lithium battery cells and the charging rates of ultracapacitors and supercapacitors. Equipping your power module with these watertight, single pole, wrench disconnect brass terminals will facilitate the incorporation of your modules into cutting edge GenSet, APU or Vehicle Electrification systems. Whether you are designing a liquid-cooled, pressurized battery pack for EV Mobility, a hazardous environment Generator Set or are simply bringing high current through a bulkhead that's at least 0.080" thick, our BFT Style 750 amp terminals, Covers and Accessories were designed with your application in mind.



ELECTRICAL

Current (each of these current profiles causes a maximum 30°C temperature rise)

- ▶ Continuous Rated Current (CRC) (per IEC 61984 and UL1977)
- ▶ Current Profile #2 - 50% CRC for 60min + 1 sec peak + 50% CRC for 60 min
- ▶ Current Profile #3 - 50% CRC for 60min + 10 sec peak + 50% CRC for 60 min
- ▶ Current Profile #4 - 50% CRC for 60min + 30 sec peak + 50% CRC for 60 min
- ▶ Current Profile #5 - 50% CRC for 60min + 60 sec peak + 50% CRC for 60 min

Voltage

- ▶ Rated Voltage (volts, continuous)
- ▶ Minimum Dielectric Withstanding Voltage (volts, AC or DC)

Contact Resistance Max (Micro Ohms)

750 amp
4,000 amp
3,000 amp
1,800 amp
1,500 amp

2,000
5,000

70

MECHANICAL

Wire Size Range

- ▶ Maximum Wire Size
 - ▶ Terminal Only
 - ▶ With Rigid Cover
 - ▶ With Flexible Cover
- ▶ Maximum Cable OD (inches)
 - ▶ Terminal Only
 - ▶ With Rigid Cover
 - ▶ With Flexible Cover
- ▶ Maximum Terminal Lug Tongue Width (inches)
 - ▶ Terminal Only
 - ▶ With Rigid Cover
 - ▶ With Flexible Cover

Minimum Panel Thickness (inches)

Environmental Sealing

- ▶ With Standard Kit Components
- ▶ With Optional Gasket

Operating Temperature (C°)

- ▶ Terminal and Rigid Cover
- ▶ Flexible Cover

Flammability Rating (per UL94)

- ▶ Terminal
- ▶ Panel Nut
- ▶ Rigid Cover Kit
- ▶ Flexible Cover

Mechanical Shock
Vibration

750 MCM
250 MCM
4/0

2.00
1.02
0.80

2.30
1.70
1.50

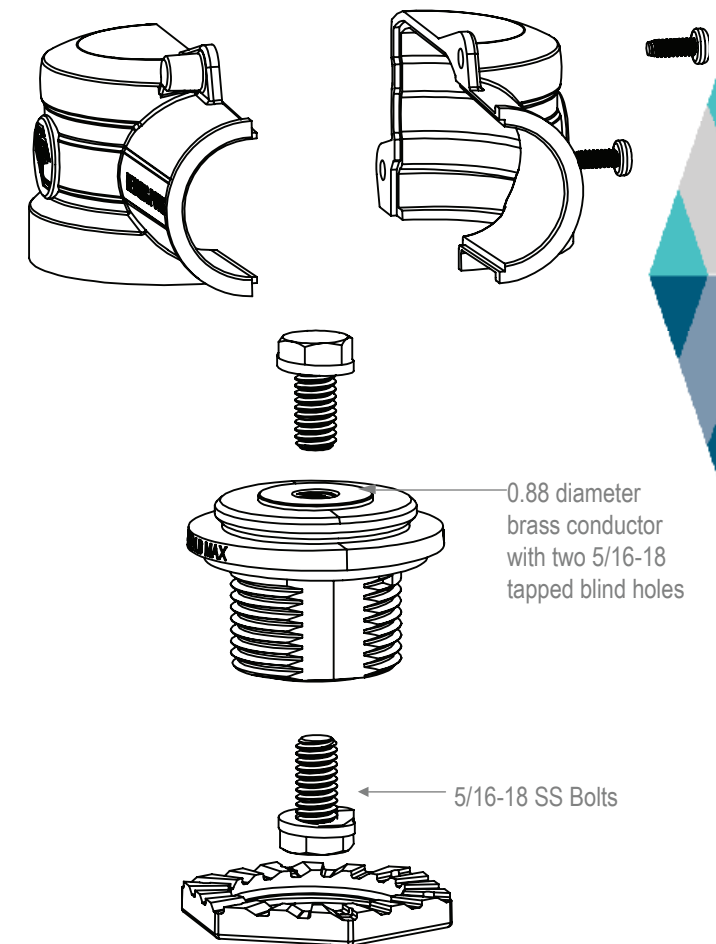
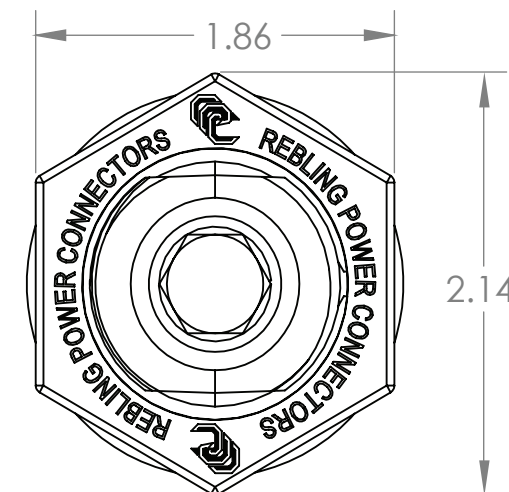
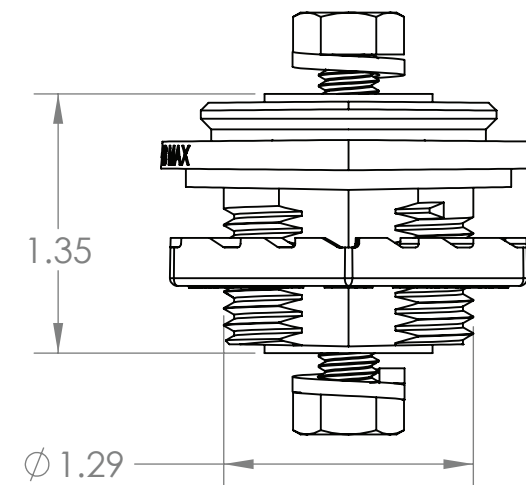
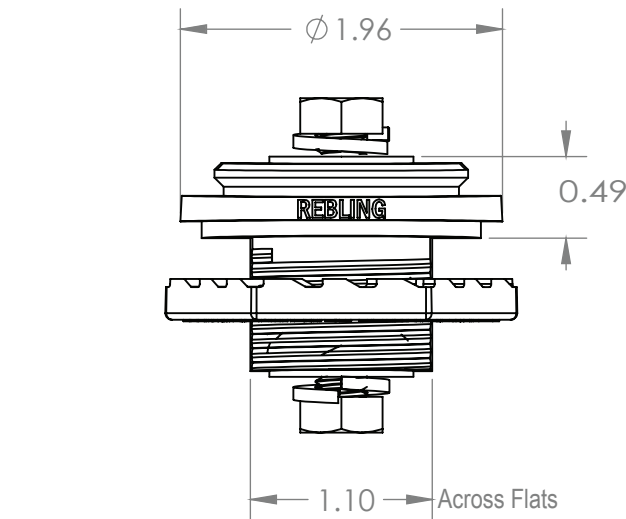
0.080

IP65
IP68

-40° to 125°
-40° to 90°

5VA
V-0
V-0
V-0

50gs - 3 axes
10gs - 3 axes



CERTIFICATIONS

UL and CE Conformance
RoHS Compliance

Certificates are downloadable from Rebling.com
All parts itemized on this datasheet are RoHS compliant

Rebling Datasheet 750 AMP BFT-STYLE FEED THROUGH TERMINAL

P/N	Description*	Plastic Color	Weight (Grams)	Min Thick (mm)	UL 94 Rating	Plastic Material #
BFT-P-B	Terminal, Brass, Nickel plated	Black	165	2.5	5VA	000A1823
BFT-P-R	Terminal, Brass, Nickel plated	Red	165	2.5	5VA	000A1823
639A1830-B	Flexible Cover (0.82" ID)	Black	25	2.0	V-0	000A1825
639A1830-R	Flexible Cover (0.82" ID)	Red	25	2.0	V-0	000A1825
648A1758	BFT Rigid Cover Kit (1.05" ID)	Black	46	2.0	V-0	000A1824
648A1779	BFT Rigid Cover Kit (1.05" ID)	Red	46	2.0	V-0	000A1824
656A1686	BFT Panel Nut, Plastic	Black	8	2.0	V-0	000A1824
651A1811	Gasket for BFT Terminal	Black	4	2.0	V-0	000A1834

*Terminal includes two 5/16 bolts, two 5/16 split washers and one plastic panel nut



BFT Product Family

MOUNTING and ASSEMBLY

Minimum Panel Thickness (inches)

Mounting Hole Pattern (see diagram)

Recommended Torque on Electrical Connection bolts

Recommended Torque on Panel Nut

Application Recommendations

- ▶ When using 4/0 cable with flexible cover, crimp lug to cable then push into cover using lubricant
- ▶ A 1 7/8" socket recommended for tightening the plastic panel nut

0.080
One Double D Hole
50 to 60 in-lbs
25-30 in-lbs

