

Rebling Datasheet

500 AMP MFT-STYLE FEED THROUGH TERMINAL - Imperial

Our MFT Style terminal provides 500 amp continuous current performance, the ability to be mounted to panels of any material or thickness and retains the same 2,000 volt rating, IP68 sealing capability and nickel plating option as the lower power members of our battery terminal family. The MFT can accept the same snap-on rigid or flexible covers as our LFT and SFT Style terminals. Equipping your design with these watertight, single pole, wrench disconnect battery terminals will enable system integrators to easily incorporate your modules into the MicroGrid, Reserve Power, Vehicle Electrification or APU systems the end-user requires, regardless of battery chemistry. Whether you are coupling batteries or power conversion modules together for a reserve power or automotive system or making internal connections for an AC power distribution installation, our 500 amp MFT Style terminals, Covers and Accessories were designed with your application in mind.



ELECTRICAL

Current (each of these current profiles causes a maximum 30°C temperature rise)

- ▶ Continuous Rated Current (CRC) (per IEC 61984 and UL1977)
- ▶ Current Profile #2 - 50% CRC for 60min + 1 sec peak + 50% CRC for 60 min
- ▶ Current Profile #3 - 50% CRC for 60min + 10 sec peak + 50% CRC for 60 min
- ▶ Current Profile #4 - 50% CRC for 60min + 30 sec peak + 50% CRC for 60 min
- ▶ Current Profile #5 - 50% CRC for 60min + 60 sec peak + 50% CRC for 60 min

500 amp
3,000 amp
2,000 amp
1,250 amp
1,000 amp

Voltage

- ▶ Rated Voltage (volts, continuous)
- ▶ Minimum Dielectric Withstanding Voltage (volts, AC or DC)

2,000
5,000

Contact Resistance Max (Micro Ohms)

70

MECHANICAL

Wire Size Range

- ▶ Maximum Wire Size
 - ▶ Terminal Only
 - ▶ With Flexible Cover
 - ▶ With Rigid Short Snap-On Cover
 - ▶ With Rigid Long, Snap-On Cover
- ▶ Maximum Terminal Lug Tongue Width (inches)
 - ▶ With Flexible Cover
 - ▶ With Rigid Short Snap-On Cover
 - ▶ With Rigid Long, Snap-On Cover

450 MCM (230 mm²)
4/0 (110 mm²)
3/0 (80 mm²)
2 AWG (35 mm²)

Minimum Panel Thickness (inches)

- ▶ With Standard Kit Components
- ▶ With Optional Gasket

1.10
0.91
0.70
0.025
IP65
IP68

Operating Temperature (°C)

- ▶ Terminal and Rigid Covers
- ▶ Flexible Covers

-40° to 125°
-40° to 90°

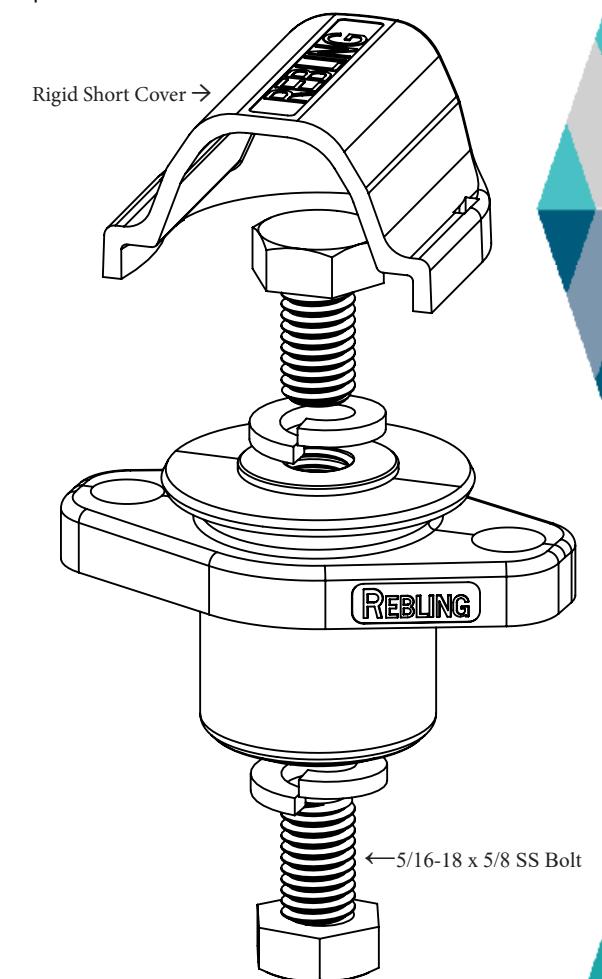
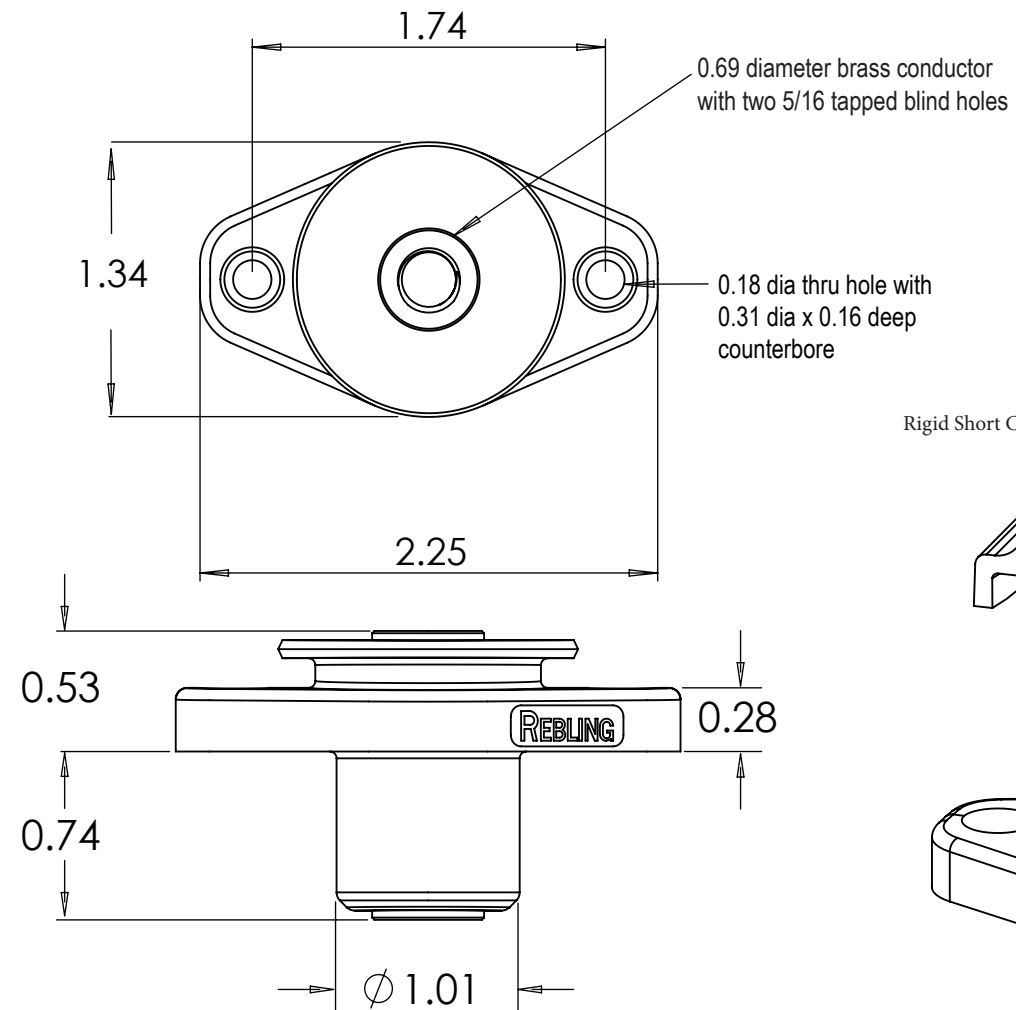
Flammability Rating (per UL94)

- ▶ Terminal and Rigid Covers
- ▶ Flexible Covers

V-0
V-0

Mechanical Shock
Vibration

50gs - 3 axes
10gs - 3 axes








CERTIFICATIONS

UL and CE Conformance
RoHS Compliance

Certificates are downloadable from Rebling.com
All parts itemized on this datasheet are RoHS compliant

Rebling Datasheet 500 AMP MFT-STYLE FEED THROUGH TERMINAL

	P/N	Description*	Plastic Color	Weight (Grams)	Min Thick (mm)	UL 94 Rating	Plastic Material #
	MFT-P-B-516	Terminal, Brass, Nickel plated	Black	100	2.1	V-0	000A1824
	MFT-P-R-516	Terminal, Brass, Nickel plated	Red	100	2.1	V-0	000A1824
	MFT-P-E-516	Terminal, Brass, Nickel plated	Blue	100	2.1	V-0	000A1824
	698A1789-S-B	Rigid Snap-On Cover, Short (1.44" OAL)	Black	9	2.0	V-0	000A1823
	698A1789-S-R	Rigid Snap-On Cover, Short (1.44" OAL)	Red	9	2.0	V-0	000A1823
	698A1789-S-E	Rigid Snap-On Cover, Short (1.44" OAL)	Blue	9	2.0	V-0	000A1823
	698A1789-L-B	Rigid Snap-On Cover, Long (2.23" OAL)	Black	12	2.0	V-0	000A1823
	698A1789-L-R	Rigid Snap-On Cover, Long (2.23" OAL)	Red	12	2.0	V-0	000A1823
	698A1789-L-E	Rigid Snap-On Cover, Long (2.23" OAL)	Blue	12	2.0	V-0	000A1823
	713A1806-B	Flexible Snap-On Cover (3.75" OAL, 0.82" ID)	Black	26	2.0	V-0	000A1825
	713A1806-R	Flexible Snap-On Cover (3.75" OAL, 0.82" ID)	Red	26	2.0	V-0	000A1825
	713A1806-E	Flexible Snap-On Cover (3.75" OAL, 0.82" ID)	Blue	26	2.0	V-0	000A1825
	716A1815	Gasket for MFT Terminal	Black	2.2	2.0	V-0	000A1834
*Terminal includes two 5/16 bolts and two 5/16 split washers							



MFT Product Family

MOUNTING and ASSEMBLY

Minimum Panel Thickness (inches)

Mounting Hole Pattern (see diagram)

Recommended Torque on Electrical Connection bolts

Recommended Torque on flat-bottomed panel mounting screws

Application Recommendations

▶ When using 4/0 cable with flexible cover, crimp lug to cable then push into cover using lubricant

▶ Panel Mount Hardware for IP68 (McMaster Carr)

▶ 92855A416

▶ 91828A231

▶ 9452K15

M4 stainless socket head screw

M4 stainless nut

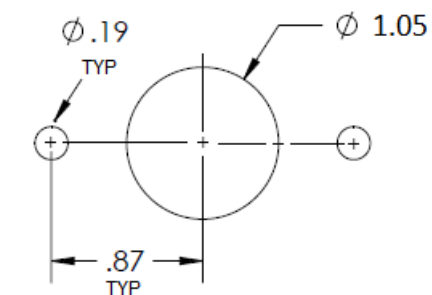
M4 O-Ring

0.025

Three Circular Holes

50 to 60 in-lbs

5 to 8 in-lbs



MOUNTING HOLE PATTERN (inches)