

Rebling Datasheet

250 AMP SFT-STYLE FEED THROUGH TERMINAL

Our SFT Style terminal has performance characteristics identical to our LFT Style terminal but is specially designed for mounting onto thin or weak panels. The SFT can also reduce the costs of a single microgrid energy storage system by \$2,000 and can accept the same snap-on rigid or flexible covers as our LFT Style terminal. The brass core is available with nickel plating for harsh environments and remains cool at extreme charge or discharge rates. Equipping your design with these watertight, single pole, wrench disconnect terminals will enable system integrators to easily incorporate your modules into the MicroGrid, Reserve Power, Vehicle Electrification or APU systems the end-user requires, regardless of battery chemistry. Whether you are coupling battery modules in series for a stationary power application, an immersion-cooled motive power system, a single SLI module, a telecom or datacenter reserve power system or simply bringing DC power from the inside to the outside of any bulkhead of any material or thickness, our SFT Style 250 amp terminals, Covers and Accessories were designed with your application in mind.



ELECTRICAL

Current (each of these current profiles causes a maximum 30°C temperature rise)

- ▶ Continuous Rated Current (CRC) (per IEC 61984 and UL1977)
- ▶ Current Profile #2 - 50% CRC for 60min + 1 sec peak + 50% CRC for 60 min
- ▶ Current Profile #3 - 50% CRC for 60min + 10 sec peak + 50% CRC for 60 min
- ▶ Current Profile #4 - 50% CRC for 60min + 30 sec peak + 50% CRC for 60 min
- ▶ Current Profile #5 - 50% CRC for 60min + 60 sec peak + 50% CRC for 60 min

250 amp
1,500 amp
1,000 amp
750 amp
500 amp

Voltage

- ▶ Rated Voltage (volts, continuous)
- ▶ Minimum Dielectric Withstanding Voltage (volts, AC or DC)

2,000
5,000

Contact Resistance Max (Micro Ohms)

70

MECHANICAL

Wire Size Range

- ▶ Maximum Wire Size
 - ▶ Terminal Only or with Flexible Cover
 - ▶ With Rigid Short Snap-On Cover
 - ▶ With Rigid Long, Snap-On Cover
- ▶ Maximum Terminal Lug Tongue Width (inches)
 - ▶ With Flexible Cover
 - ▶ With Rigid Short Snap-On Cover
 - ▶ With Rigid Long, Snap-On Cover

4/0 (110 mm²)
3/0 (80 mm²)
2 AWG (35 mm²)

1.10
0.91
0.70

Minimum Panel Thickness (inches)

0.025

Environmental Sealing

- ▶ With Standard Kit Components
- ▶ With Optional Gasket

IP65
IP68

Operating Temperature (°C)

- ▶ Terminal and Rigid Covers
- ▶ Flexible Covers

-40° to 125°
-40° to 90°

Flammability Rating (per UL94)

- ▶ Terminal and Rigid Covers
- ▶ Flexible Covers

V-0
V-0

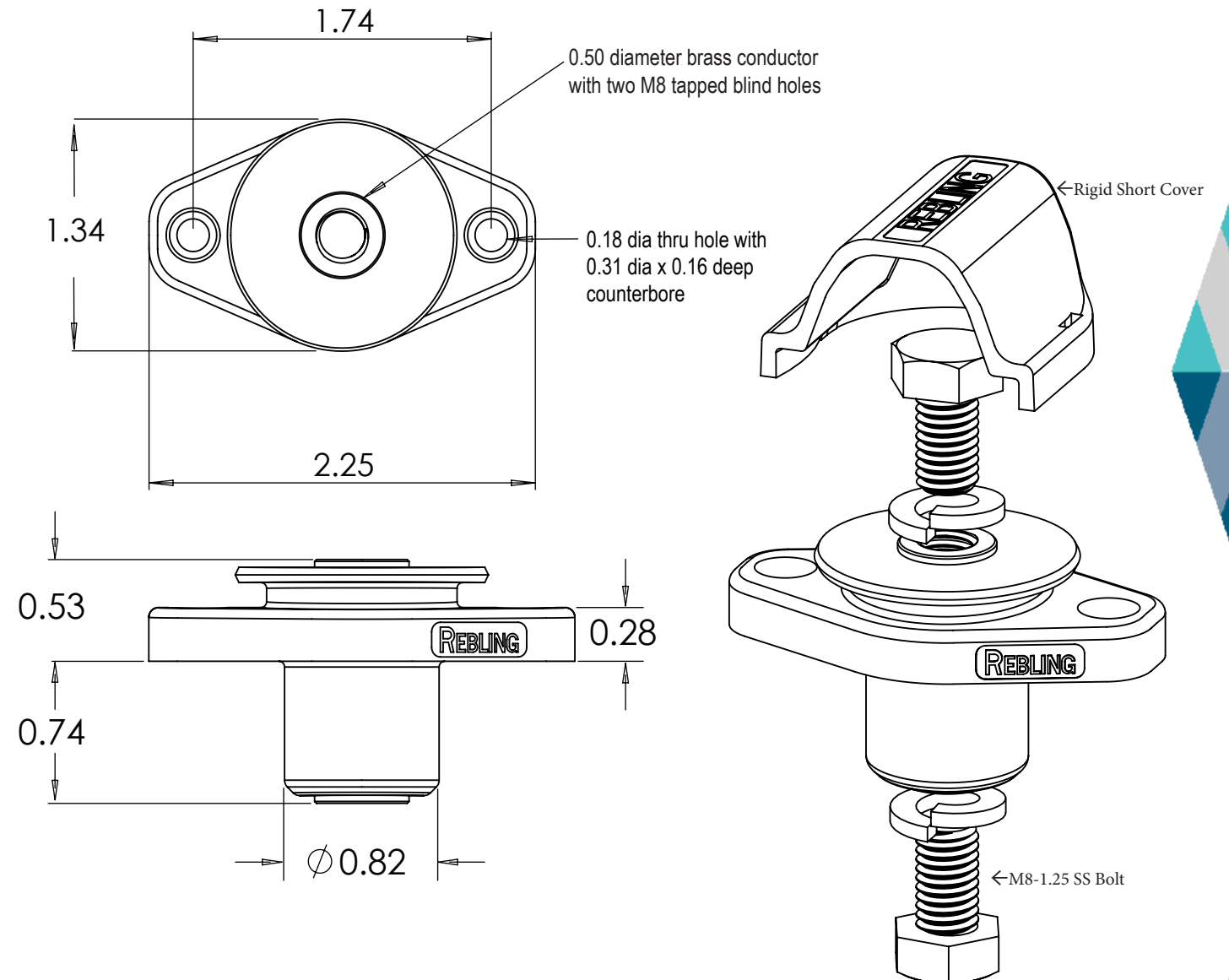
Mechanical Shock
Vibration

50gs - 3 axes
10gs - 3 axes

CERTIFICATIONS

UL and CE Conformance
RoHS Compliance

Certificates are downloadable from Rebling.com
All parts itemized on this datasheet are RoHS compliant



Rebling Datasheet 250 AMP SFT-STYLE FEED THROUGH TERMINAL



SFT Product Family

MOUNTING and ASSEMBLY

Minimum Panel Thickness (inches)

Mounting Hole Pattern (see diagram)

Recommended Torque on Electrical Connection bolts

Recommended Torque on flat-bottomed panel mounting screws

Application Recommendations

▶ When using 4/0 cable with flexible cover, crimp lug to cable then push into cover using lubricant

▶ Panel Mount Hardware for IP68 (McMaster Carr)

▶ 92855A416

▶ 91828A231

▶ 9452K15

M4 stainless socket head screw

M4 stainless nut

M4 O-Ring

0.025

Three Circular Holes

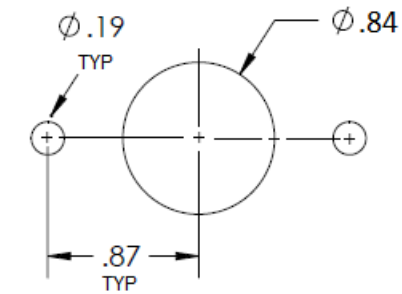
50 to 60 in-lbs

5 to 8 in-lbs



P/N	Description*	Plastic Color	Weight (Grams)	Min Thick (mm)	UL 94 Rating	Plastic Material #
SFT-B-B	Terminal, Brass, Unplated	Black	75	2.1	V-0	000A1824
SFT-B-R	Terminal, Brass, Unplated	Red	75	2.1	V-0	000A1824
SFT-B-E	Terminal, Brass, Unplated	Blue	75	2.1	V-0	000A1824
SFT-P-B	Terminal, Brass, Nickel plated	Black	75	2.1	V-0	000A1824
SFT-P-R	Terminal, Brass, Nickel plated	Red	75	2.1	V-0	000A1824
SFT-P-E	Terminal, Brass, Nickel plated	Blue	75	2.1	V-0	000A1824
698A1789-S-B	Rigid Snap-On Cover, Short (1.44" OAL)	Black	9	2.0	V-0	000A1823
698A1789-S-R	Rigid Snap-On Cover, Short (1.44" OAL)	Red	9	2.0	V-0	000A1823
698A1789-S-E	Rigid Snap-On Cover, Short (1.44" OAL)	Blue	9	2.0	V-0	000A1823
698A1789-L-B	Rigid Snap-On Cover, Long (2.23" OAL)	Black	12	2.0	V-0	000A1823
698A1789-L-R	Rigid Snap-On Cover, Long (2.23" OAL)	Red	12	2.0	V-0	000A1823
698A1789-L-E	Rigid Snap-On Cover, Long (2.23" OAL)	Blue	12	2.0	V-0	000A1823
713A1806-B	Flexible Snap-On Cover (3.75" OAL, 0.82" ID)	Black	26	2.0	V-0	000A1825
713A1806-R	Flexible Snap-On Cover (3.75" OAL, 0.82" ID)	Red	26	2.0	V-0	000A1825
713A1806-E	Flexible Snap-On Cover (3.75" OAL, 0.82" ID)	Blue	26	2.0	V-0	000A1825
716A1814	Gasket for SFT Terminal	Black	2.5	2.0	V-0	000A1834

*Terminal includes two 8mm bolts and two 8mm split washers



MOUNTING HOLE PATTERN (inches)