

RER02 SERIES

High Voltage Contactors

20A CONTINUOUS DUTY

750V SYSTEM VOLTAGE



FEATURES

SPST Normally Open High Voltage Contactors

- Hermetic seal with gas fill
- Meets RoHS 2011/65/EU
- PCB Mountable
- Low cost pre-charge solution



PERFORMANCE

TABLE 1. SPECIFICATIONS		
CHARACTERISTIC	MEASURE	
Contact Arrangement	Form X, SPST NO	
Max Switching Voltage ¹	750 VDC	
Dielectric Withstand Voltage	3,000 VAC, 1 minute contacts to coil 2,500 VAC, 1 minute across open contacts	
Continuous Current (15mm ² conductor)	20A	
Overload Current	30 seconds	80A
	1 hour	30A
Max Break – 30A @ 450V	5 cycles	
Max Short Circuit Current -0.5 second	200 A	
Min Insulation Resistance	1,000 Mohm @ 500VDC	
Contact Voltage Drop (Max)	50mV @ 10A	
Operate Time (Max, incl bounce)	30ms	
Release Time (Max)	10ms	
Shock - Functional, 1/2 Sine, 11ms	20G	
Shock – Destructive, 1/2 Sine, 11ms	50G	
Operating Temperature	-40°C to 85°C	
Ingress Protection	Exceeds IP69, (Hermetically sealed)	
Mechanical life	200,000 cycles	
AUXILIARY CONTACTS	MEASURE	
Contact Arrangement	Not available	
COIL (20° C)	MEASURE	
Nominal Voltage	12 VDC	24 VDC
Pick-up Voltage (Max)	9 VDC	18 VDC
Drop-out Voltage (Min)	0.8 VDC	1.6 VDC
Coil Resistance	48Ω	192Ω
Coil Power at Nominal Voltage	3W	3W

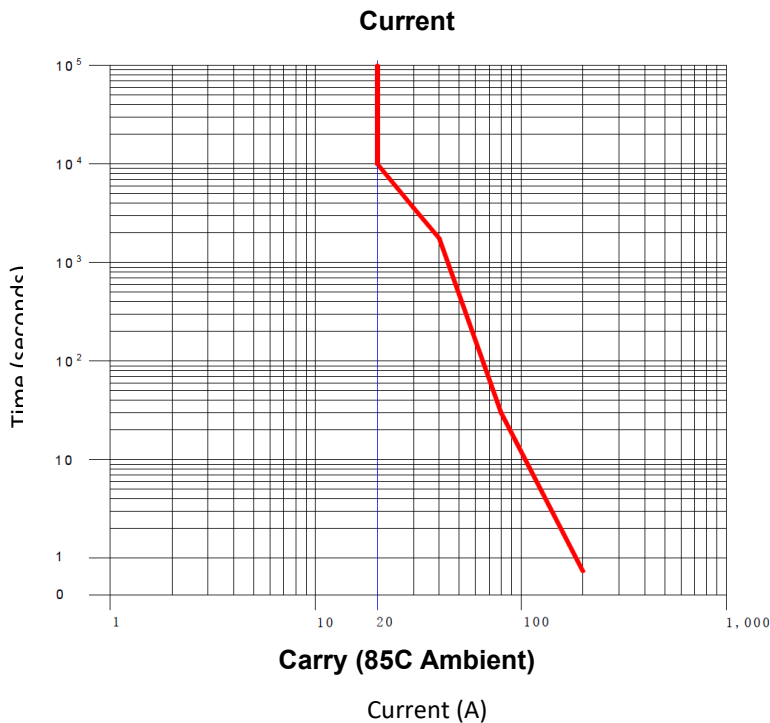


TABLE 2. RESISTIVE LOAD SWITCHING (MAKE / BREAK DATA)		
Polarity Sensitive	CYCLES (1 cycle = 1 make + 1 break)	
VOLTAGE	CURRENT	
450V	20A	5,000
450V	10A	10,000
450A	20A	75,000 (MAKE only)

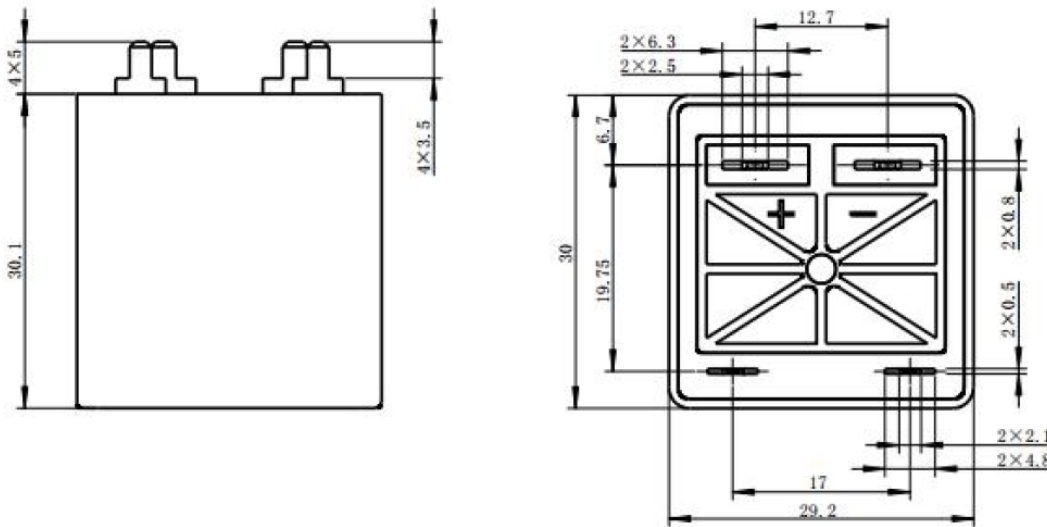
¹ Contactor can be used in systems with higher voltages, but should be limited to no current, or very low current breaking. Contact Rincon Power for more details

OPTIONS

TABLE 3. PRODUCT NOMENCLATURE

	CONTACT POLARITY	MOUNTING	COIL	AUXILIARY CONTACTS
RER02	P Polarity Sensitive	3 PCB Mount	A 12V B 24V	X None

PRODUCT DIMENSIONS [mm]


TABLE 4. DIMENSIONAL AND INSTALLATION

CHARACTERISTIC	MEASURE
Weight	50g (0.11 lb)
Mounting Position	Any / Not Position Sensitive
Package Quantity	TBD
(PCB) welding Parameters	Manual welding: (350±20)°C, time 3s; Wave soldering: (265±5)°C, time (3~8) s.

NOTES

- Avoid excessive coil voltages. Exceeding the ratings on the datasheet may result in high coil temperature and coil failure
- Contactor may be used above Max Switching Voltage if the application does not require significant load breaking. Please contact Rincon Power to discuss in more detail