







ENVIRONMENTALLY SEALED POSITIVE ACTION SWITCHES

Series 8836KP-38KP Flush Mounted Environmentally Sealed Positive Action Switches

FEATURES		SPECIFICATIONS		CURRENT RATINGS									
<ul style="list-style-type: none"> Environmentally Sealed High electrical/mechanical reliability Non-teasible mechanism Wiping action contacts Positive make and break action Molded-in terminal numbers Three hole design for flush mounting Dry circuit (logic level loads) to Power Switching levels 1,2, and 4 pole circuitry 	<ul style="list-style-type: none"> Environmentally sealed per MIL-DTL-8834 Switch mechanism MS approved and QPL'd per MIL-DTL-8834 Temperature Range: -67°F to 160°F (-55°C to +71°C) Life: 20,000 cycles at rated load, 40,000 cycles mechanical life Positive action mechanism for high reliability and low contact bounce 	No. of Poles	Catalog Number	Type of Operation	28VDC (Amperes per pole)			115VAC 400Hz (Amperes per pole)			115VAC 60Hz (Amperes per pole)		
		Lamp Load	Resistive Load	Inductive Load	Lamp Load	Resistive Load	Inductive Load	Lamp Load	Resistive Load	Inductive Load			
		1	8836KP	Maintained & Momentary	7	25	15	7	25	15	7	20	15
		2	8837KP	Maintained & Momentary	7	25	15	7	25	15	7	20	15
4	8838KP	Maintained & Momentary	7	25	15	7	25	15	7	20	15		

Minimum Rating: 10 microamperes at 30 millivolts.

LEVER LOCK SELECTION TABLE

CIRCUIT WITH LEVER IN . . .					
	Up Position	Center Position	Down Position (Keyway)	Screw Terminal	① Toggle Lever Style Figure Number
				Catalog Number	
ONE POLE					
8836KP 	ON	OFF	ON	8836KP1	1
	ON	NONE	OFF	8836KP9	1
	ON	NONE	ON	8836KP4	1
	ON	NONE	ON*	8836KP5	1
	ON	OFF	ON*	8836KP3	1
	ON*	OFF	ON*	8836KP2	1
	ON	OFF	ON	8836KP1T	2
	ON	NONE	OFF	8836KP9T	2
TWO POLE					
8837KP 	ON	OFF	ON	8837KP1	1
	ON	NONE	OFF	8837KP9	1
	ON	NONE	ON	8837KP4	1
	ON	NONE	OFF*	8837KP10	1
	ON*	OFF	ON*	8837KP2	1
	ON	OFF	NONE	8837KP6	1
	ON	OFF	ON*	8837KP3	1
	ON	NONE	ON	8837KP4T	2
	ON	OFF	ON	8837KP1T	2
FOUR POLE					
8838KP 	ON	OFF	ON	8838KP31	1
	ON	NONE	ON	8838KP34	1
	ON	OFF	NONE	8838KP36	1
	ON	OFF	ON	8838KP1	1
	ON	NONE	ON	8838KP4	1
	ON	OFF	ON*	8838KP3	1
	ON*	OFF	ON*	8838KP2	1
	ON	OFF	NONE	8838KP6	1
	ON	NONE	ON*	8838KP5	1

* Momentary contact.

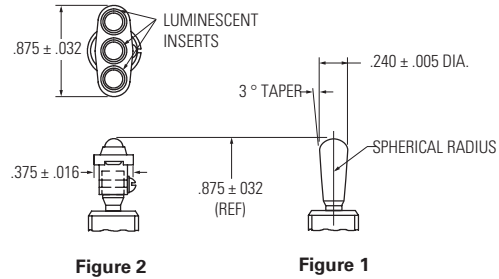
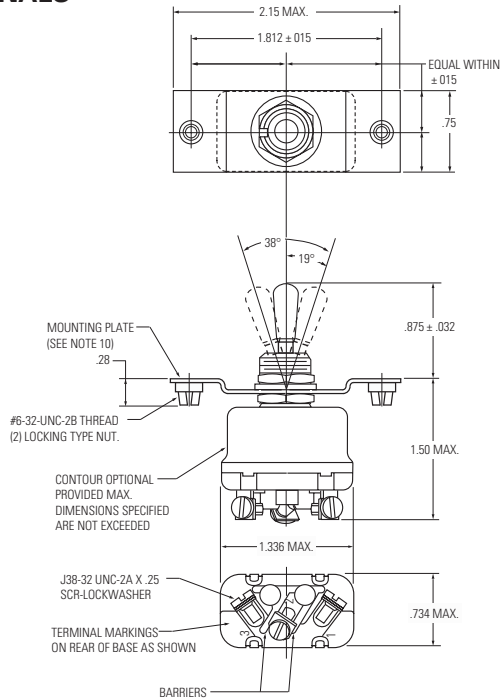
Note: Additional circuit arrangements available.

① Refer to page A47.

ENVIRONMENTALLY SEALED POSITIVE ACTION SWITCHES

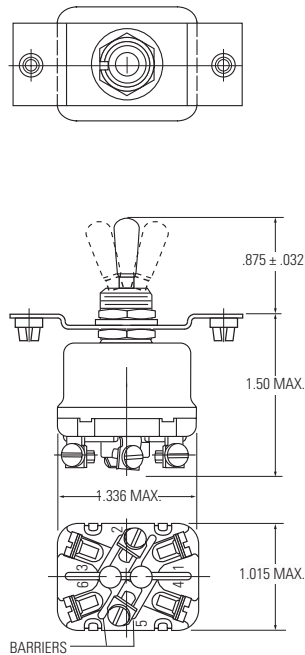
Series 8836KP-38KP Flush Mounted Environmentally Sealed Positive Action Switches

MOUNTING DIMENSIONS - ONE POLE / 8836 KP SCREW TERMINALS

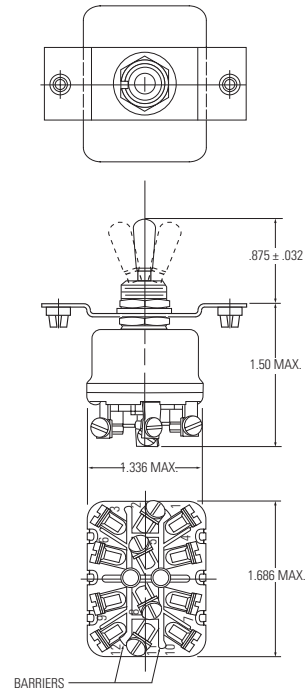


Terminal Identification

MOUNTING DIMENSIONS - TWO POLE / 8837 KP SCREW TERMINALS



MOUNTING DIMENSIONS - FOUR POLE / 8838 KP SCREW TERMINALS



STANDARD
0.00 = inches
[0,0] = mm

Mounting dimensions for reference only.

Non-functional terminals not supplied.