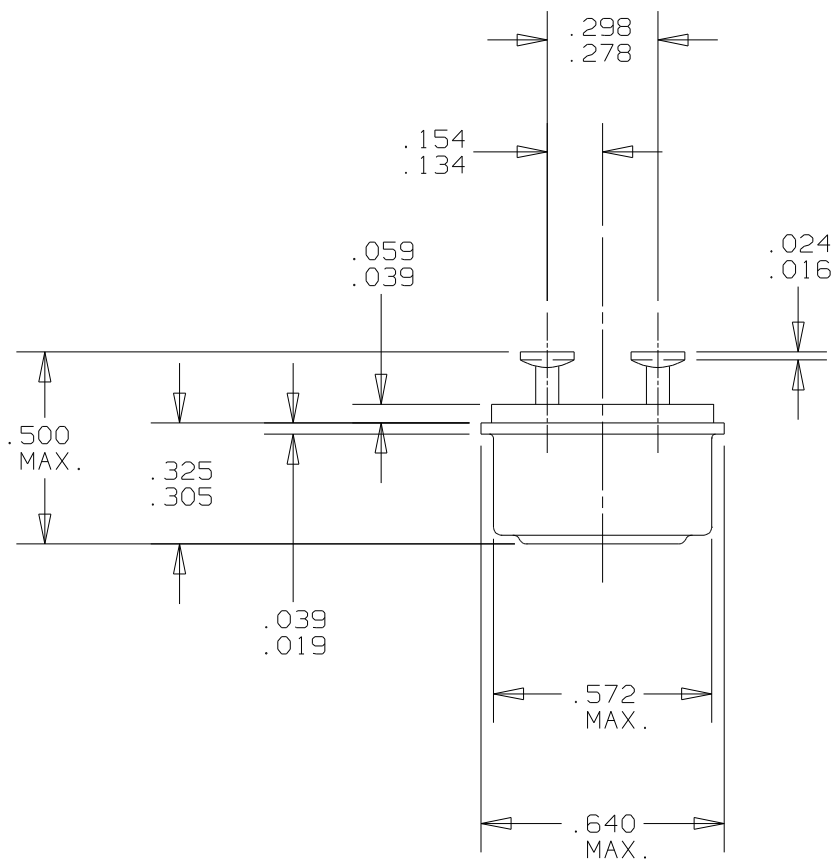
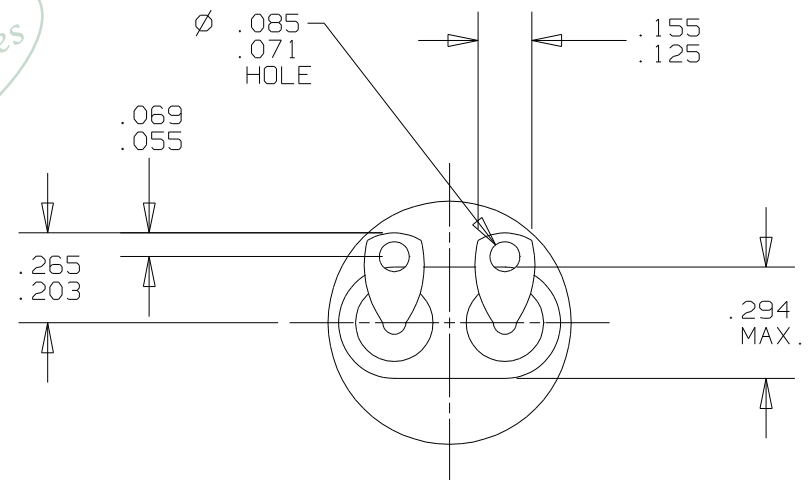


Property of
Sensata Technologies



REVISIONS					
ZONE	LTR	DESCRIPTION	PROJ. # 256A	DATE	APPROVED
	D	REMOVED SOME SPECIFICATIONS	CRM50891 JRB	6-1-00	S.B.M.

PART NO.: ----- 11041-12-*

OPERATING TEMPERATURE:
 OPEN: ----- °F. ± °F.
 CLOSE: ----- °F. ± °F.


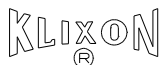
FINISH: -----

WEIGHT: ----- 4.8 GRAMS MAX.

DIELECTRIC STRENGTH
 TERMINAL TO CASE: ----- 1250 VOLTS, RMS, 60 CYCLES FOR 1 MINUTE

NOTE: *
 FOR ORDERING PRODUCTION QUANTITIES TWO DASH NUMBERS ARE NECESSARY, THE SECOND DASH NO. WILL BE ASSIGNED WHEN OPERATING CHARACTERISTICS AND DESIGN DETAILS ARE ESTABLISHED.

SUPERSEDES DWG. 11041-12 REV. "C", DATED 4-10-96

UNLESS OTHERWISE SPECIFIED DIMENSIONS ARE IN INCHES		DRAWN J.D. MAYALL	DATE 5-14-62	 TEXAS INSTRUMENTS ATTLEBORO, MASSACHUSETTS 02703		 CONTROL PRODUCTS DIVISION
TOLERANCES ON FRACTIONS DECIMALS ANGLES		ENGINEER S.B. MARQUIS	DATE 4-10-96	TITLE 11041-12 THERMOSTAT SPST AUTO-RESET SEALED ENVELOPE DRAWING		
MATERIAL		APPROVED		SIZE B	CODE IDENT NO. 82647	11041-12
		APPROVED		SIGNATURES ON FILE. REFER TO ELECTRONIC CHANGE NOTICE.		