

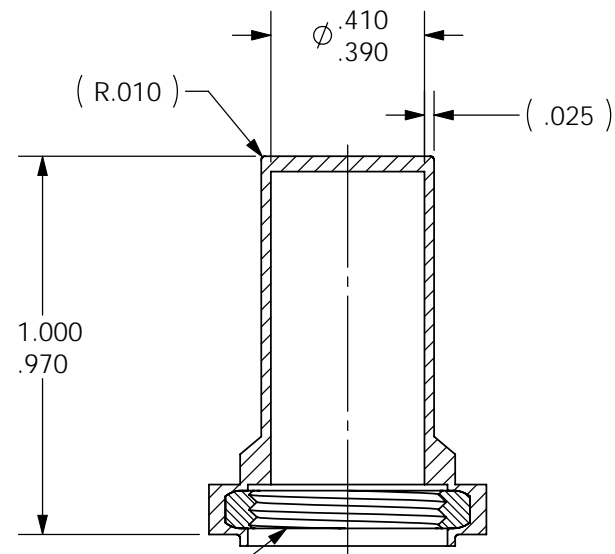
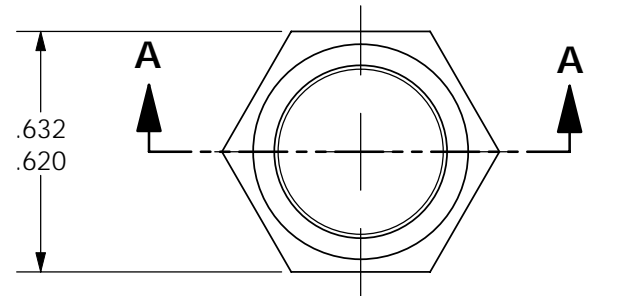
4

3

2

1

ZONE	REV.	REVISION DESCRIPTION	ECN NO.	DATE
	B	ADD NOTES 1 AND 2; UPDATE SPECIAL CHARACTERISTICS TO CURRENT STDS; PD	ECN0051987	01-JUN-2009



MOUNTING NUT M12 X 0.75-6H
 (SLIGHT DRAG ON GO GAGE
 ALLOWABLE DUE TO EXCESS
 SILICONE RUBBER.)

SECTION A-A

NOTE:

- CERTIFICATE OF CONFORMANCE REQUIRED.
- SILICONE OVERMOLD ALLOWABLE, HEX DIMENSION MUST BE MAINTAINED.

14500-7	BOOT: SILICONE RUB-R-GLASS, PER SPEC ZZ-R-765 CLASS III, DUROMETER 50-60 MOUNTING NUT: BRASS PER SPEC QQ8626, COMP 22, NICKEL PLATE PER SPEC QQN290 CLASS II
PART NO.	MATERIAL

NAME	DRAWING SYMBOL	AIAG QS9000 DEFINITION REF. ISO DOCUMENT DE 07 2 06
CRITICAL		KEY CHARACTERISTICS WITH SAFETY OR REGULATORY CONSIDERATION REQUIRES INITIAL PROCESS CAPABILITY STUDY TO BE PERFORMED.
SIGNIFICANT		KEY CHARACTERISTICS NOT RELATING TO SAFETY OR REGULATORY CONSIDERATION, BUT RELATING TO FIT OR FUNCTION. REQUIRES INITIAL PROCESS CAPABILITY STUDY TO BE PERFORMED.
SPC		USED TO SPECIFY ONGOING SPC

FOR REFERENCE ONLY, CHECK LATEST REVISION BEFORE USE. PARTS MADE TO THIS PRINT MUST CONFORM TO E9898 REV. E.

DRAWN G.LAPATI DATE 28-AUG-2007	SENSATA TECHNOLOGIES PROPRIETARY AND CONFIDENTIAL. NEITHER THIS PRINT NOR THE INFORMATION CONTAINED HEREON IS TO BE USED AGAINST THE INTERESTS OF SENSATA TECHNOLOGIES OR AGAINST THE INTERESTS OF ANY OF ITS AFFILIATED COMPANIES OR WHOLLY OWNED SUBSIDIARIES.	529 PLEASANT STREET P.O. BOX 2964 ATTLEBORO, MA 02703
ENGINEER B.BLENKHORN DATE 28-AUG-2007		
APPROVED C. GONZALEZ DATE 28-AUG-2007	UNLESS OTHERWISE SPECIFIED DIMENSIONS ARE IN INCHES TOLERANCES DECIMALS ANGLES	TITLE PUSHBUTTON BOOT
APPROVED W.BENTLEY DATE 28-AUG-2007	DO NOT SCALE DRAWING	THIRD ANGLE PROJECTION
SCALE 2:1		DWG NO. 14500-7
SOLIDWORKS		REV. B
SHEET 1 OF 1		DEVICE: 15TC/5TC

4

3

2

1