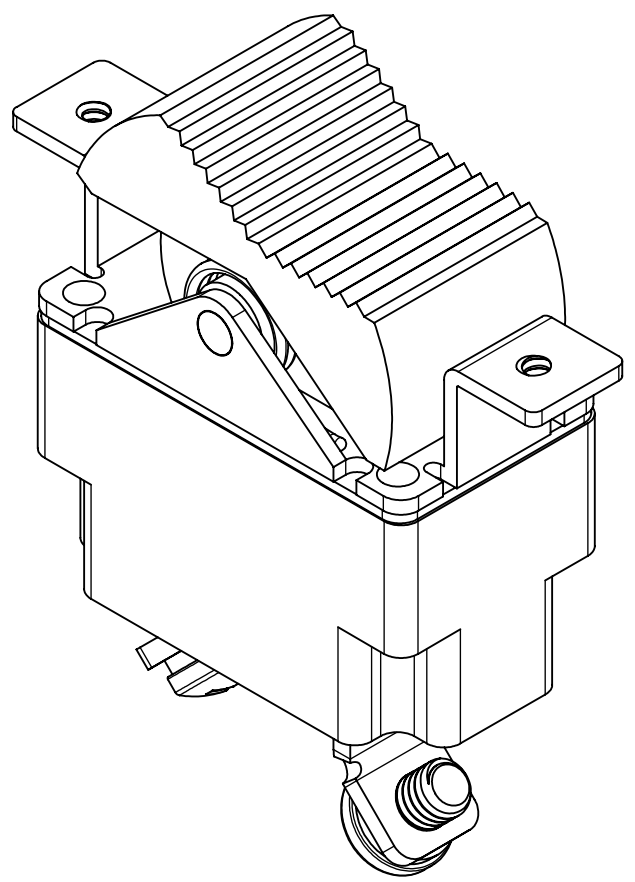
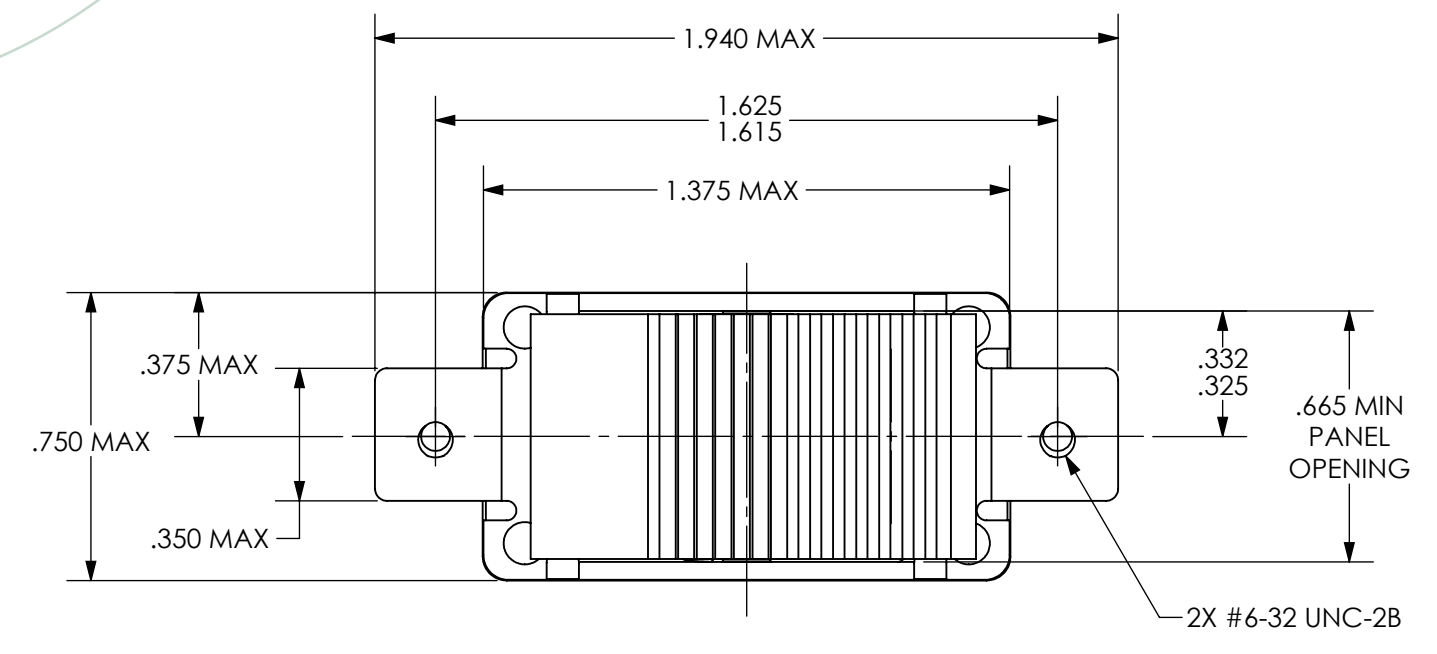


Property of
Sensata Technologies

ZONE	REV.	REVISION DESCRIPTION	ECN NO.	DATE
A1	J	RE-DOCUMENTED IN SOLIDWORKS; ADDED GENERIC TOLERANCE IN TITLE BLOCK; GML	ECO-087597	13-MAY-2013



(DETAIL PERFORMANCE PER MIL-C-5809)

OVERLOAD CYCLING-----100 CYCLES AT 200% RATING
 VIBRATION-----10 G'S MINIMUM 50-500 CPS

MECHANICAL SHOCK-----25 G'S 11.5 MILLISECONDS DURATION
 ACCELERATION-----10 G'S MINIMUM
 CORROSION-----SALT SPRAY 50 HOURS
 HUMIDITY-----10 DAYS
 EXPLOSION PROOF-----WHILE INTERRUPTING RUPTURE CURRENT
 OPERATING ALTITUDE:-----70,000 FT.

VOLTAGE DROP-----3 AMP RATING .75 VOLTS
 5 AMP RATING .65 VOLTS
 7 1/2 AMP - 35 AMP RATING .50 VOLTS

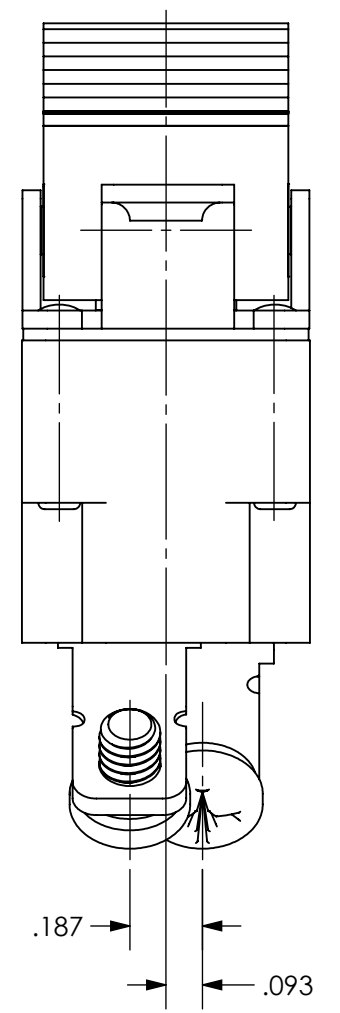
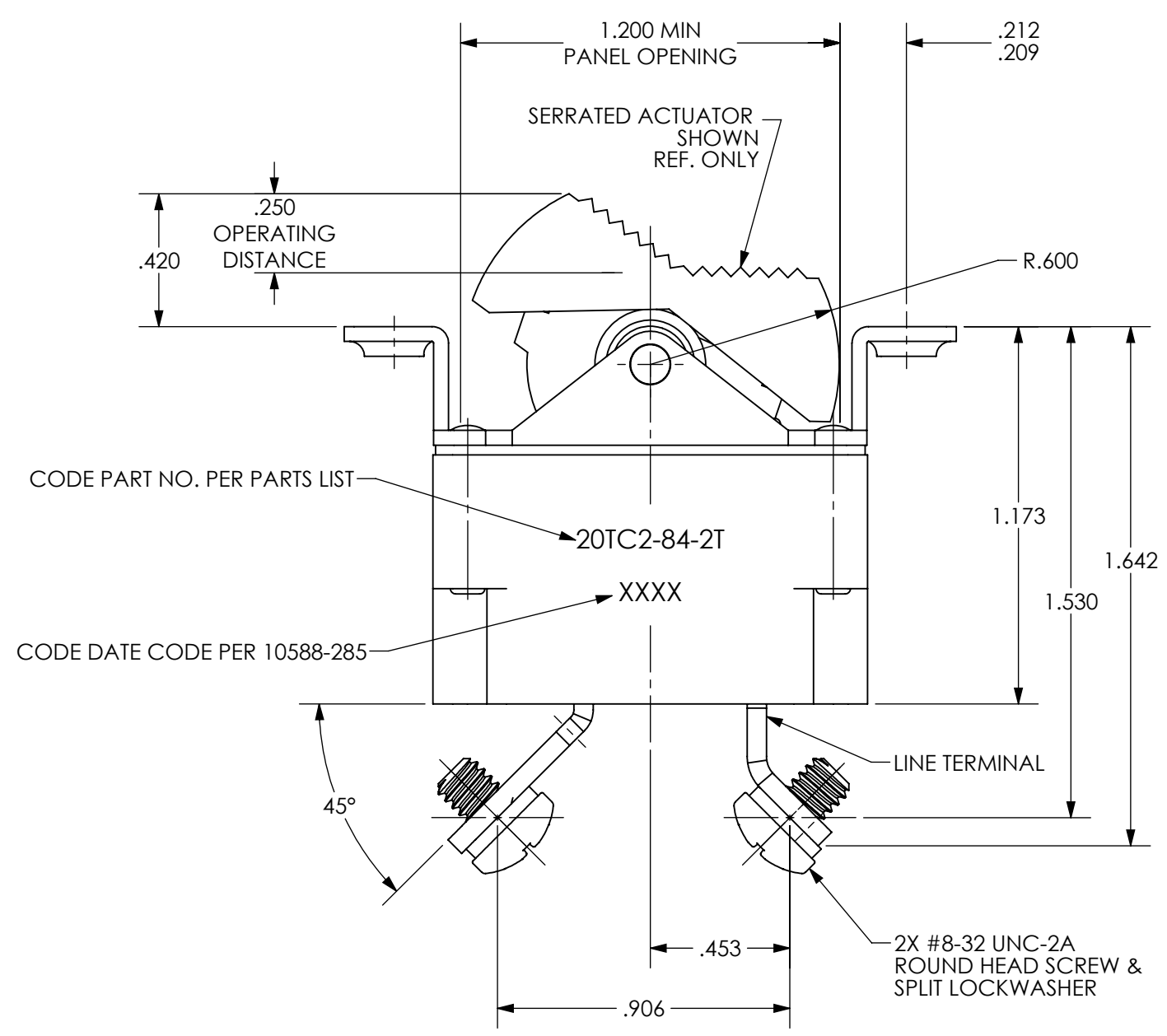
ENDURANCE:
 120 VAC-----60-400 CPS, INDUCTIVE -----5000 CYCLES
 RESISTIVE -----5000 CYCLES
 30 VDC-----INDUCTIVE -----2500 CYCLES
 RESISTIVE -----5000 CYCLES
 MECHANICAL-----10000 CYCLES

CALIBRATION:

TEST	CIRCUIT BKR RATING	PERCENT RATED CURRENT	AMB TEMP.	TRIP TIME HOLD
MIN. ULT. TRIP	3-35	110	25°C	
MAX. ULT. TRIP	3-35	150	25°C	1 HR. MAX.
200% TIME	3-35	200	25°C	10-130 SEC.

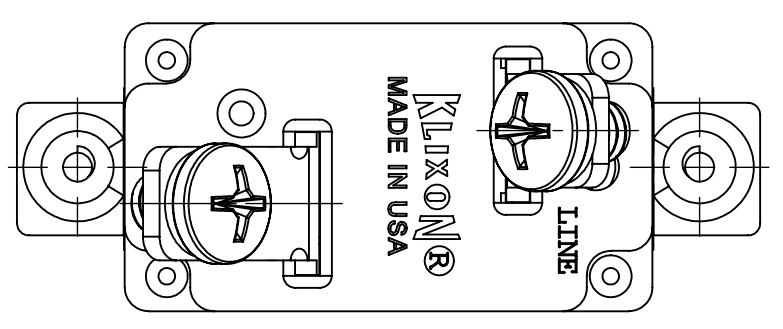
RUPTURE:
 3 AMP THRU 35 AMP
 120 VAC, 400 C'S, 1000-AMPS
 30 VDC, 2000 AMPS

MAXIMUM OPERATING FORCES:
 "ON" POSITION.....10 LBS. MAX.
 "OFF" POSITION.....10 LBS. MAX.



CODE PART NO. PER PARTS LIST
 20TC2-84-2T
 XXXX
 CODE DATE CODE PER 10588-285

PART NO.	AMP RATING
20TC2-3	3
20TC2-5	5
20TC2-7 1/2	7 1/2
20TC2-10	10
20TC2-15	15
20TC2-20	20
20TC2-25	25
20TC2-30	30
20TC2-35	35



FOR REFERENCE ONLY, CHECK LATEST REVISION BEFORE USE. PARTS MADE TO THIS PRINT MUST CONFORM TO E9898 REV. E.

DRAWN J.HORAN DATE 05-AUG-1966	SENSATA TECHNOLOGIES PROPRIETARY AND CONFIDENTIAL. NEITHER THIS PRINT NOR THE INFORMATION CONTAINED HEREON IS TO BE USED AGAINST THE INTERESTS OF SENSATA TECHNOLOGIES OR AGAINST THE INTERESTS OF ANY OF ITS AFFILIATED COMPANIES OR WHOLLY OWNED SUBSIDIARIES.	529 PLEASANT STREET P.O. BOX 2964 ATTLEBORO, MA 02703
ENGINEER B.FOLEY DATE 26-AUG-1966	INTERPRET DIMENSIONING AND TOLERANCING PER ASME Y14.5-2009. UNLESS OTHERWISE SPECIFIED DIMENSIONS ARE IN INCHES. TOLERANCES DECIMALS ANGLES X.XXX ±.031 X° ± 3°	TITLE ROCKER ACTUATED CIRCUIT BREAKER ENVELOPE DRAWING
APPROVED DATE APPROVED DATE	DO NOT SCALE DRAWING THIRD ANGLE PROJECTION	SIZE DWG NO. C 20TC2 SCALE 2:1 SOLIDWORKS SHEET 1 OF 1