

5

4

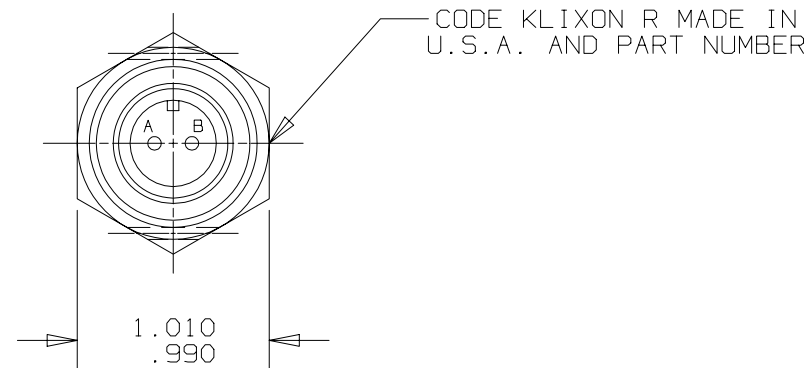
3

2

1

Property of  
Sensata Technologies

REVISIONS					
ZONE	LTR	DESCRIPTION	PROJ.# 1063	DATE	APPROVED
	A	1ST ISSUE	ECN0008539 GML	11-01-02	S.B.M.



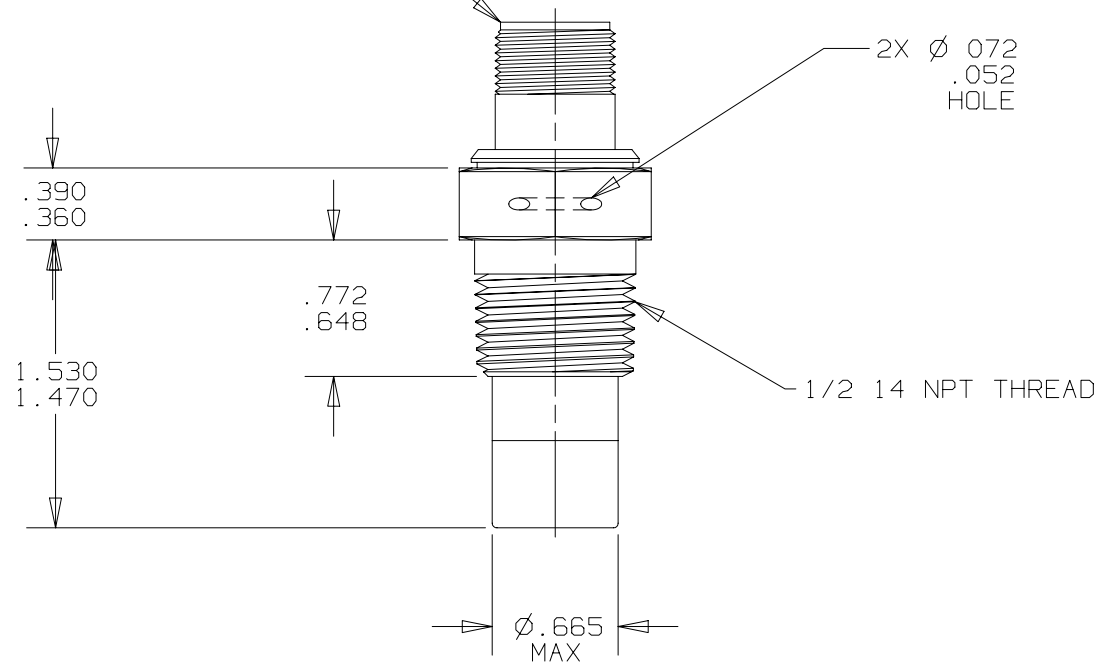
OPERATING TEMPERATURE:  
 CLOSE----- 45°F. ±4°F.  
 OPEN----- 2°F. TO 5°F. BELOW CLOSING TEMPERATURE

MATERIAL:----- 300 SERIES STAINLESS STEEL

DIELECTRIC STRENGTH:----- 1250 VAC FOR 1 MIN. TERMINAL TO CASE

ORIENTATION OF CONNECTOR IS NOT CONTROLLED.

SEALTRON CONNECTOR  
B8002G-10SL-4P-F  
(OR EQUAL)



THIS IS A CAD DRAWING. THE GEOMETRY IN THE ASSOCIATED CAD COMPUTER FILE IS DIMENSIONALLY ACCURATE. WHEN DRAWING IS BEING REVISED, THE GEOMETRY MUST BE UPDATED IN ALL VIEWS AND ON ALL SHEETS.

									Q4	P17	P1
UNLESS OTHERWISE SPECIFIED DIMENSIONS ARE IN INCHES			DRAWN G. LAPATI		DATE 11-01-02		TEXAS INSTRUMENTS ATTLEBORO, MASSACHUSETTS 02703			KLIXON CONTROL PRODUCTS DIVISION	
TOLERANCES ON FRACTIONS DECIMALS ANGLES			ENGINEER S.B. MARQUIS		11-01-02		TITLE STANDARD PROBE TYPE THERMOSTAT ENVELOPE DRAWING				
MATERIAL			APPROVED R. NABB		11-01-02						
			APPROVED P. BERG		11-01-02		SIZE B	CODE IDENT NO. 82647	21550-3-30-1		
SIGNATURES ON FILE. REFER TO ELECTRONIC CHANGE NOTICE.											