

4

3

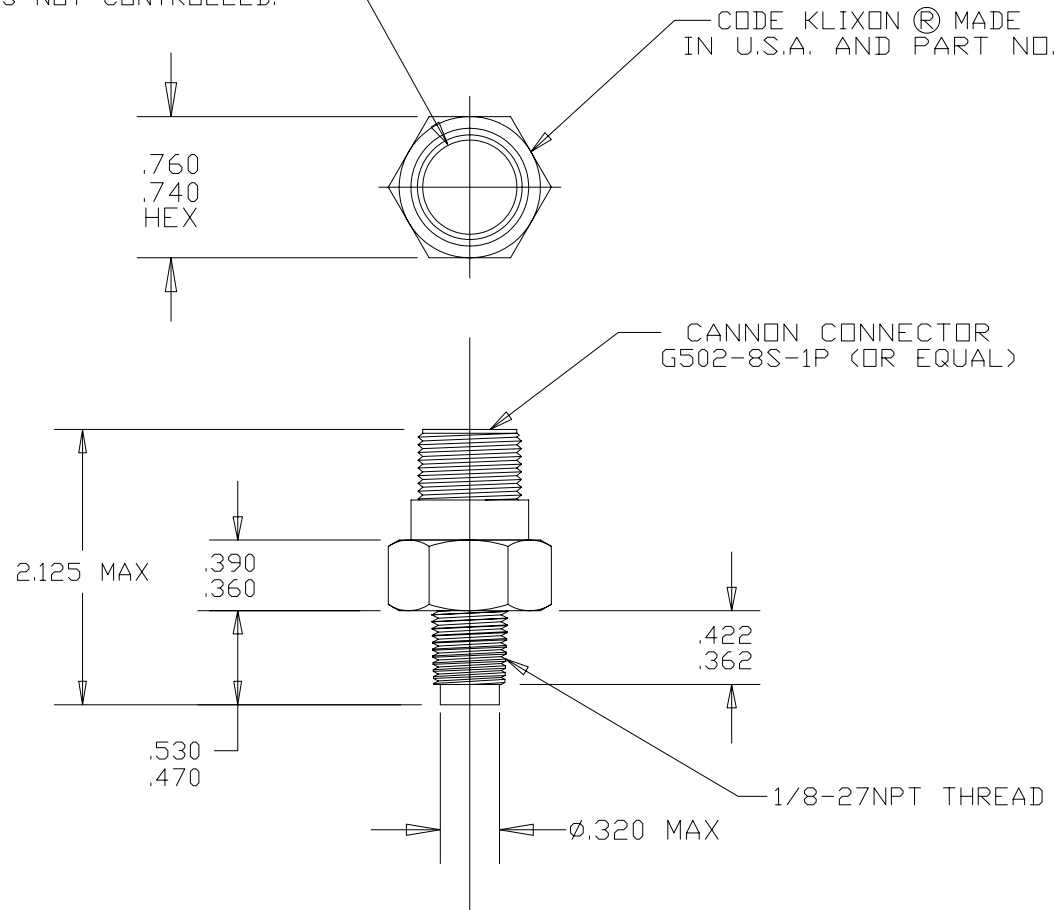
2

1

ZONE	REV.	REVISION DESCRIPTION	ECN NO.	DATE
	E	"CODE KLIXON" WAS "STAMP KLIXON" ADDED Ø SYMBOL TO DIM. .320 MAX. AND ADDED "ORIENTATION OF CONNECTOR TO PROBE IS NOT CONTROLLED." NOTE; GML	ECN0036886	13-AUG-2007

Property of
Sensata Technologies

ORIENTATION OF CONNECTOR TO PROBE IS NOT CONTROLLED.



CHARACTERISTICS

OPERATING TEMPERATURES: OPEN 330°F ±12°F
CLOSE 360° ±12°F

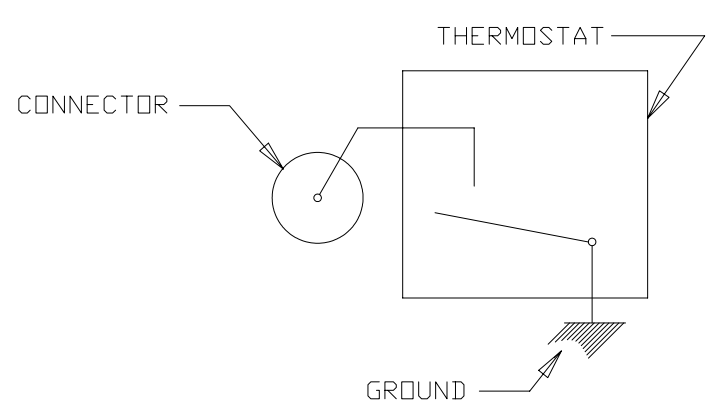
CURRENT CAPACITY: 1/2 AMP 115 VAC/30VDC

BASIC THERMOSTAT: 3BTF2 TYPE

MATERIAL: BUSHING STAINLESS STEEL

DIELECTRIC STRENGTH: 500 VAC FOR 1 MINUTE TERMINAL TO CASE.
(HYPOT IS MEASURED ACROSS OPEN CONTACTS)

WIRING DIAGRAM



FOR REFERENCE ONLY, CHECK LATEST REVISION BEFORE USE. PARTS MADE TO THIS PRINT MUST CONFORM TO E9898 REV. E

DRAWN R.J.MULHERN DATE 04-APR-1968 ENGINEER	SENSATA TECHNOLOGIES PROPRIETARY AND CONFIDENTIAL. NEITHER THIS PRINT NOR THE INFORMATION CONTAINED HEREON IS TO BE USED AGAINST THE INTERESTS OF SENSATA TECHNOLOGIES OR AGAINST THE INTERESTS OF ANY OF ITS AFFILIATED COMPANIES OR WHOLLY OWNED SUBSIDIARIES.
DATE APPROVED	
DATE APPROVED	UNLESS OTHERWISE SPECIFIED DIMENSIONS ARE IN INCHES TOLERANCES DECIMALS ANGLES
DATE APPROVED	DO NOT SCALE DRAWING

THIRD ANGLE PROJECTION	
------------------------	--

Sensata Technologies
529 PLEASANT STREET
P.O. BOX 2964
ATTLEBORO, MA 02703

TITLE
THERMAL SWITCH PACKAGE ENVELOPE DRAWING

SIZE B	DWG NO. 21557-1-8-2	REV. E
SCALE 1:1	AUTOCAD	SHEET 1 OF 1

4

3

2

1

DEVICE: 3BT

PROJECT: 1063