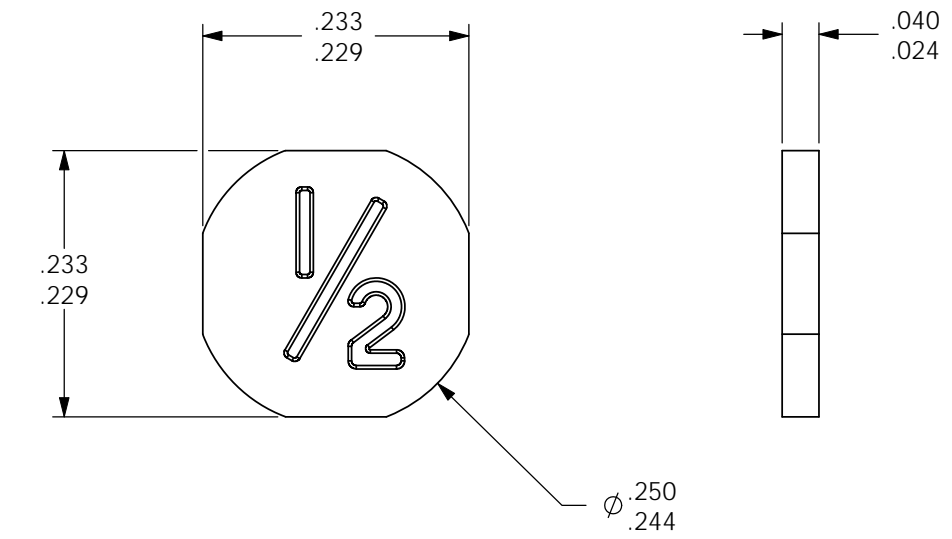


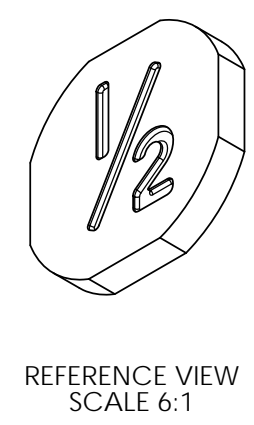
PART NO.	RATING NO.	MATERIAL
27515-1	1/4	BLK. SPAULDITE OR EQUIV.
27515-2	1/2	BLK. SPAULDITE OR EQUIV.
27515-3	3/4	BLK. SPAULDITE OR EQUIV.
27515-4	1	BLK. SPAULDITE OR EQUIV.
27515-5	1 1/2	BLK. SPAULDITE OR EQUIV.
27515-6	2	BLK. SPAULDITE OR EQUIV.
27515-7	3	BLK. SPAULDITE OR EQUIV.
27515-8	4	BLK. SPAULDITE OR EQUIV.
27515-9	5	BLK. SPAULDITE OR EQUIV.
27515-10	7	BLK. SPAULDITE OR EQUIV.
27515-11	10	BLK. SPAULDITE OR EQUIV.
27515-12	15	BLK. SPAULDITE OR EQUIV.
27515-13	20	BLK. SPAULDITE OR EQUIV.
27515-14	25	BLK. SPAULDITE OR EQUIV.
27515-15	30	BLK. SPAULDITE OR EQUIV.
27515-16	35	BLK. SPAULDITE OR EQUIV.
27515-17	50	BLK. SPAULDITE OR EQUIV.
27515-18	BLANK	BLK. SPAULDITE OR EQUIV.
27515-19	2 1/2	BLK. SPAULDITE OR EQUIV.
27515-20	7 1/2	BLK. SPAULDITE OR EQUIV.
27515-21	0.05	BLK. SPAULDITE OR EQUIV.
27515-22	60	BLK. SPAULDITE OR EQUIV.
27515-23	70	BLK. SPAULDITE OR EQUIV.
27515-24	75	BLK. SPAULDITE OR EQUIV.
27515-25	80	BLK. SPAULDITE OR EQUIV.
27515-26	90	BLK. SPAULDITE OR EQUIV.
27515-27	100	BLK. SPAULDITE OR EQUIV.
27515-28	8	BLK. SPAULDITE OR EQUIV.
27515-29	0.1	BLK. SPAULDITE OR EQUIV.
27515-30	0.25	BLK. SPAULDITE OR EQUIV.
27515-31	0.5	BLK. SPAULDITE OR EQUIV.
27515-32	0.75	BLK. SPAULDITE OR EQUIV.
27515-33	7.5	BLK. SPAULDITE OR EQUIV.
27515-34	OS	BLK. SPAULDITE OR EQUIV.
27515-35	6 1/2	BLK. SPAULDITE OR EQUIV.
27515-36	3.5	BLK. SPAULDITE OR EQUIV.
27515-37	D	BLK. SPAULDITE OR EQUIV.
27515-38	2.5	BLK. SPAULDITE OR EQUIV.
27515-39	9	BLK. SPAULDITE OR EQUIV.
27515-40	3 1/2	BLK. SPAULDITE OR EQUIV.
27515-41	0.025	BLK. SPAULDITE OR EQUIV.
27515-42	0.06	BLK. SPAULDITE OR EQUIV.
27515-43	0.068	BLK. SPAULDITE OR EQUIV.
27515-44	0.195	BLK. SPAULDITE OR EQUIV.
27515-45	0.2	BLK. SPAULDITE OR EQUIV.
27515-46	0.425	BLK. SPAULDITE OR EQUIV.
27515-47	0.8	BLK. SPAULDITE OR EQUIV.
27515-48	1.2	BLK. SPAULDITE OR EQUIV.
27515-49	1.25	BLK. SPAULDITE OR EQUIV.
27515-50	1.5	BLK. SPAULDITE OR EQUIV.
27515-51	1.7	BLK. SPAULDITE OR EQUIV.
27515-52	6	BLK. SPAULDITE OR EQUIV.

PART NO.	RATING NO.	MATERIAL
27515-53	6.4	BLK. SPAULDITE OR EQUIV.
27515-54	6.5	BLK. SPAULDITE OR EQUIV.
27515-55	12	BLK. SPAULDITE OR EQUIV.
27515-56	4.9	BLK. SPAULDITE OR EQUIV.
27515-57	0.125	BLK. SPAULDITE OR EQUIV.
27515-58	0.02	BLK. SPAULDITE OR EQUIV.
27515-59	0.03	BLK. SPAULDITE OR EQUIV.
27515-60	0.3	BLK. SPAULDITE OR EQUIV.
27515-61	0.42	BLK. SPAULDITE OR EQUIV.
27515-62	14	BLK. SPAULDITE OR EQUIV.
27515-63	18	BLK. SPAULDITE OR EQUIV.
27515-64	6.25	BLK. SPAULDITE OR EQUIV.
27515-65	0.9	BLK. SPAULDITE OR EQUIV.
27515-66	3.3	BLK. SPAULDITE OR EQUIV.
27515-67	0.12	BLK. SPAULDITE OR EQUIV.
27515-68	0.15	BLK. SPAULDITE OR EQUIV.
27515-69	0.6	BLK. SPAULDITE OR EQUIV.
27515-70	0.075	BLK. SPAULDITE OR EQUIV.
27515-71	0.4	BLK. SPAULDITE OR EQUIV.
27515-72	11	BLK. SPAULDITE OR EQUIV.
27515-73	24	BLK. SPAULDITE OR EQUIV.
27515-74	1.75	BLK. SPAULDITE OR EQUIV.
27515-75	90V	BLK. SPAULDITE OR EQUIV.
27515-76	24V	BLK. SPAULDITE OR EQUIV.
27515-77		OBSOLETE PER ECO-051640
27515-78		OBSOLETE PER ECO-051640
27515-79		OBSOLETE PER ECO-051640
27515-80		OBSOLETE PER ECO-051640
27515-81		OBSOLETE PER ECO-051640
27515-82		OBSOLETE PER ECO-051640
27515-83	14V	BLK. SPAULDITE OR EQUIV.
27515-84	4.2	BLK. SPAULDITE OR EQUIV.
27515-85	4 1/4	BLK. SPAULDITE OR EQUIV.
27515-86	28V	BLK. SPAULDITE OR EQUIV.
27515-87	40	BLK. SPAULDITE OR EQUIV.
27515-88		OBSOLETE PER ECO-051640
27515-89		OBSOLETE PER ECO-051640
27515-90	140	BLK. SPAULDITE OR EQUIV.
27515-91	R	BLK. SPAULDITE OR EQUIV.
27515-92		OBSOLETE PER ECO-051640
27515-93	1 3/4	BLK. SPAULDITE OR EQUIV.
27515-94	125	BLK. SPAULDITE OR EQUIV.
27515-95	150	BLK. SPAULDITE OR EQUIV.
27515-96	160	BLK. SPAULDITE OR EQUIV.
27515-97	180	BLK. SPAULDITE OR EQUIV.
27515-98	200	BLK. SPAULDITE OR EQUIV.

ZONE	REV.	REVISION DESCRIPTION	ECN NO.	DATE
	W	ADDED NOTE 8; RW	ECO-060068	10-NOV-2010



- NOTES:
- ALL CHARACTERS MUST BE HOT STAMPED TO A DEPTH OF .001 MINIMUM.
  - CHARACTER SPECIFICATIONS:  
 WITH THE EXCEPTION NOTED \* ALL CHARACTERS SHALL BE "GOTHIC" TYPESET STYLE .  
 ALL CHARACTERS: LINE WIDTH SHALL BE ONE TENTH (1/10) OF CHARACTER HEIGHT DIMENSION.  
 WHOLE NUMBERS, LETTERS AND TOTAL FRACTION HEIGHT SHALL BE .145 ± .015 HIGH.  
 FRACTION CHARACTER HEIGHT SHALL BE .060 ± .007 TOTAL WHERE APPLICABLE.  
 FRACTION HEIGHT SHALL ALIGN WITH ADJACENT WHOLE NO.  
 \* ALL CHARACTERS CONTAINING THE CHARACTER NO. 1 (IE, 10, 1/2) THE CHARACTERS SHALL BE A SINGLE LINE " I " WITH NO CAP OR BASE.  
 ALL CHARACTERS IN DECIMAL SHALL BE .060 - .075 HIGH.  
 ALL DASH NOS. : SAMPLE APPROVAL IS REQUIRED FOLLOWING NEW STAMP TOOLING.
  - WHITE COLOR HOT STAMP FOIL TO BE API FOILS INC. PEC - 5100 OR EQUIVALENT.
  - CHARACTER STAMPING MUST MEET SPEC. 12506 - 56.
  - CHARACTERS TO BE PARALLEL TO INSERT TO WITHIN ± 5°.
  - CODE SHOULD BE CENTERED WITHIN ± .005 OF INSERT CENTERLINE IN THE VERTICAL AND HORIZONTAL POSITION.
  - CERTIFICATION OF CONFORMANCE REQUIRED.
  - ALL CHARACTERS MUST BE SHOWN IN THEIR ENTIRETY PER SPECIFIED TYPESET STYLE.



NAME	DRAWING SYMBOL	AIAG QS9000 DEFINITION REF. ISO DOCUMENT DE 07 2 06
CRITICAL	▽	KEY CHARACTERISTICS WITH SAFETY OR REGULATORY CONSIDERATION REQUIRES INITIAL PROCESS CAPABILITY STUDY TO BE PERFORMED.
SIGNIFICANT	◇	KEY CHARACTERISTICS NOT RELATING TO SAFETY OR REGULATORY CONSIDERATION, BUT RELATING TO FIT OR FUNCTION. REQUIRES INITIAL PROCESS CAPABILITY STUDY TO BE PERFORMED.
SPC	△	USED TO SPECIFY ONGOING SPC

FOR REFERENCE ONLY, CHECK LATEST REVISION BEFORE USE. PARTS MADE TO THIS PRINT MUST CONFORM TO E9898 REV. E.	
DRAWN D. FREEDMAN DATE 24-MAY-2005	SENSATA TECHNOLOGIES PROPRIETARY AND CONFIDENTIAL. NEITHER THIS PRINT NOR THE INFORMATION CONTAINED HEREON IS TO BE USED AGAINST THE INTERESTS OF SENSATA TECHNOLOGIES OR AGAINST THE INTERESTS OF ANY OF ITS AFFILIATED COMPANIES OR WHOLLY OWNED SUBSIDIARIES.
ENGINEER K. LITWIN DATE 24-MAY-2005	INTERPRET DIMENSIONING AND TOLERANCING PER ASME Y14.5-2009. UNLESS OTHERWISE SPECIFIED DIMENSIONS ARE IN INCHES. TOLERANCES DECIMALS ANGLES
APPROVED W. BENTLEY DATE 10-NOV-2010	
APPROVED M. GAWRONSKI DATE 10-NOV-2010	DO NOT SCALE DRAWING
	THIRD ANGLE PROJECTION

		529 PLEASANT STREET P.O. BOX 2964 ATTLEBORO, MA 02703	
TITLE RATING INSERT			
SIZE C	DWG NO. 27515	REV. W	
SCALE 6:1	SOLIDWORKS	SHEET 1 OF 1	