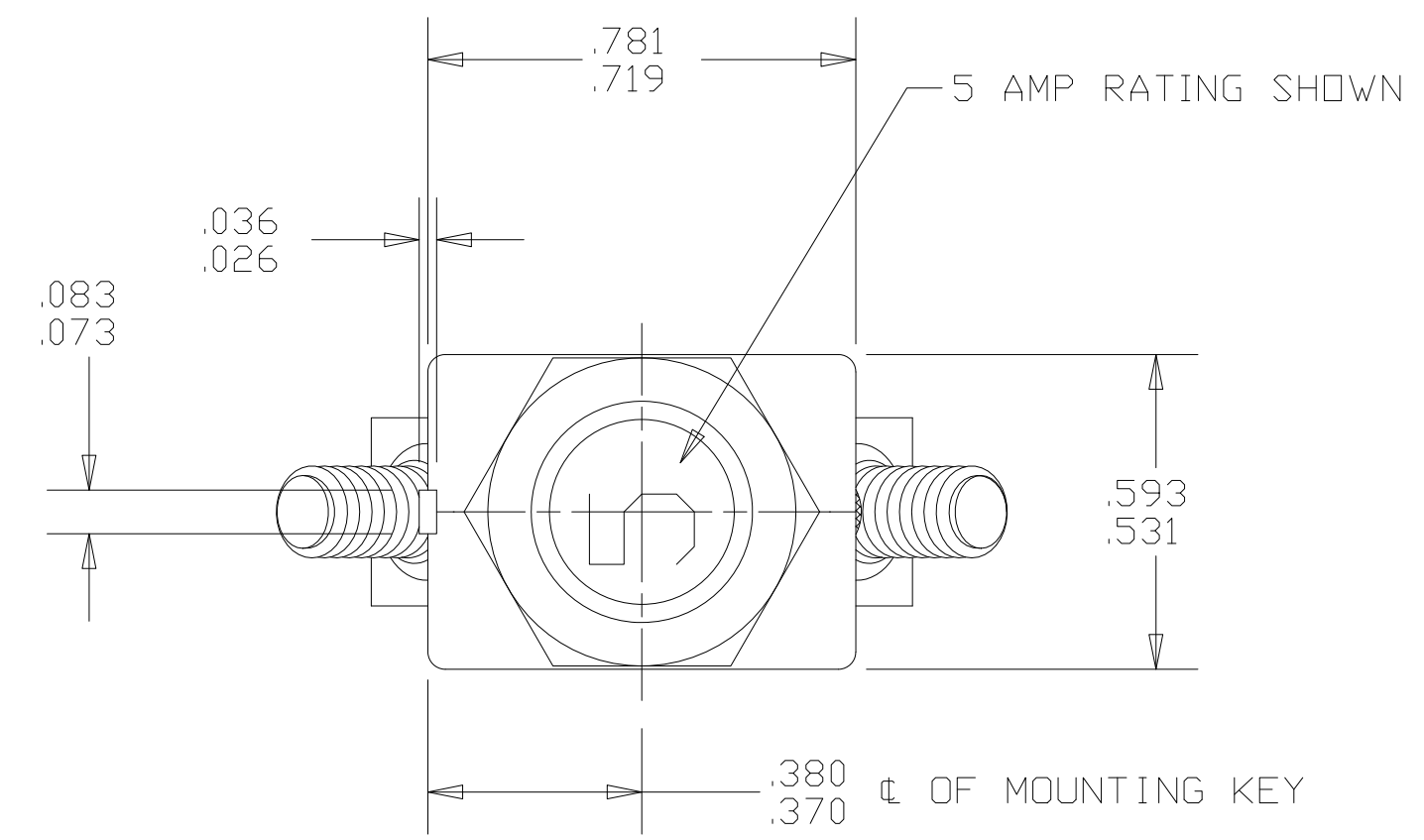


Property of
Sensata Technologies

ZONE	REV.	REVISION DESCRIPTION	ECN NO.	DATE
AG		SAE ASS8091 IN DETAIL PERFORMANCE LINE WAS MIL-C-5809;RW	ECO-072725	17-JAN-2012



PERFORMANCE CHARACTERISTICS
PER UL 1077

DIELECTRIC STRENGTH ----- 1500VAC
VOLTAGE WITHSTAND ----- 1125VAC
OVERLOAD CYCLING ----- 50 CYCLES AT 150% RATING

ENDURANCE:
250VAC 6000 CYCLES
75VDC 6000 CYCLES

SHORT CIRCUIT:
1 THRU 25 AMP 75VDC 3500 AMPS
250 VAC, 60 HZ 1000 AMPS

DETAIL PERFORMANCE PER SAE ASS8091

OVERLOAD CYCLING ----- 100 CYCLES AT 200% RATING
VIBRATION ----- 10 G'S MINIMUM 50-500 HZ
MECHANICAL SHOCK ----- 50 G'S
ACCELERATION ----- 10 G'S
SAND AND DUST ----- 12 HOURS
CORROSION ----- SALT SPRAY 50 HOURS
HUMIDITY ----- 10 DAYS
EXPLOSION PROOF ----- WHILE INTERRUPTING RUPTURE CURRENTS

ENDURANCE:

120 VAC	400 HZ INDUCTIVE	2500 CYCLES
	400 HZ RESISTIVE	5000 CYCLES
30 VDC	INDUCTIVE	2500 CYCLES
	RESISTIVE	5000 CYCLES
MECHANICAL	NO LOAD	10000 CYCLES

CALIBRATION: 1 AMP THRU 25 AMP

	MIN. ULT. TRIP	MAX. ULT. TRIP	200%	500%	1000%
+25°C, +77°F	115% RATING	138% RATING	4-16 SEC.	.4-1.6 SEC.	.10-40 SEC.
-54°C, -65°F	115% RATING	165% RATING	7-35 SEC.	.6-3.0 SEC.	.15-70 SEC.
+121°C, +250°F	85% RATING	145% RATING	2-13 SEC.	.25-1.0 SEC.	.06-25 SEC.

RUPTURE:

1 THRU 15 AMP	120 VAC, 400 HZ	2500 AMPS
1 THRU 20 AMP	28 VDC	6000 AMPS
20 AMP	120 VAC, 400 HZ	2000 AMPS
25 AMP	120 VAC, 400 HC	1800 AMPS
25 AMP	28 VDC	1625 AMPS

MAXIMUM OPERATING FORCES:

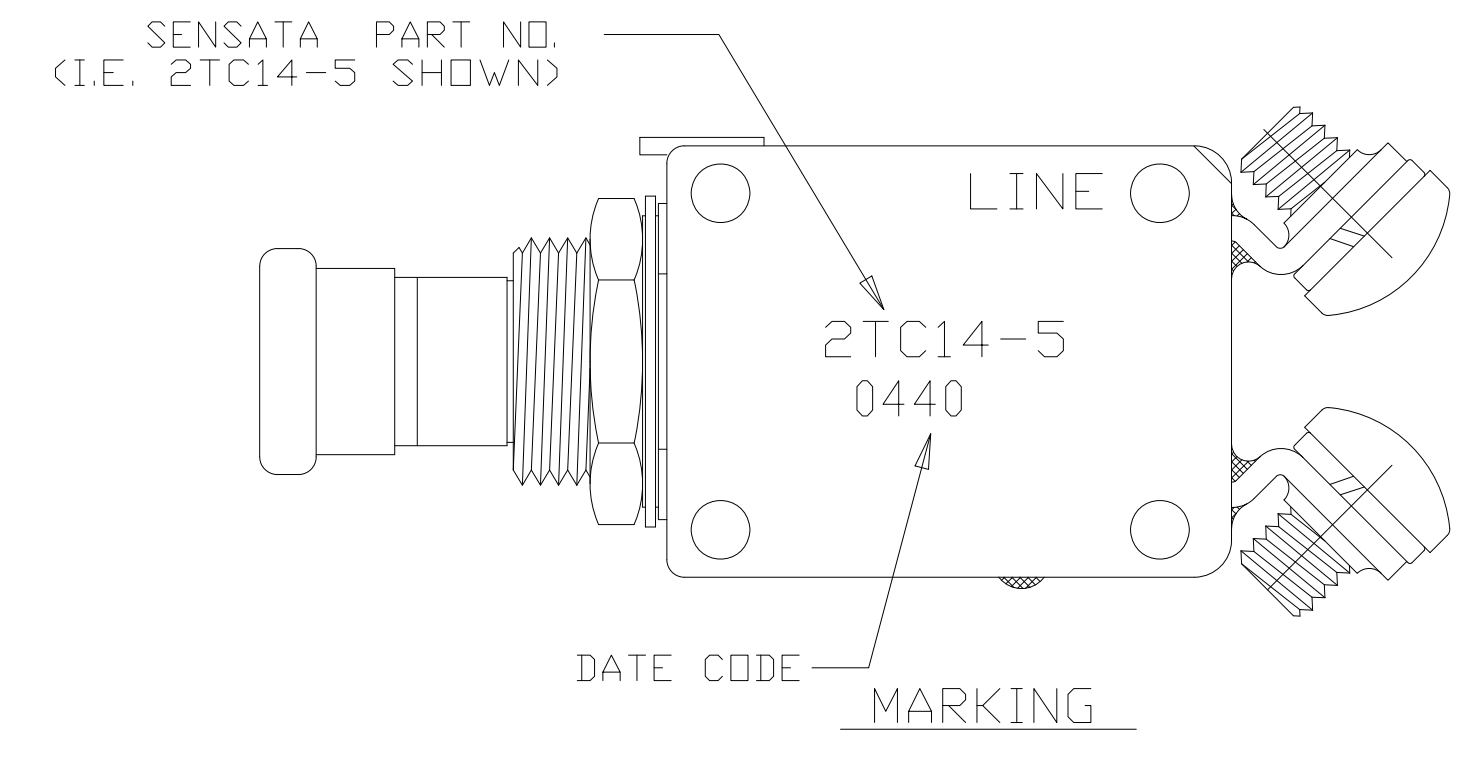
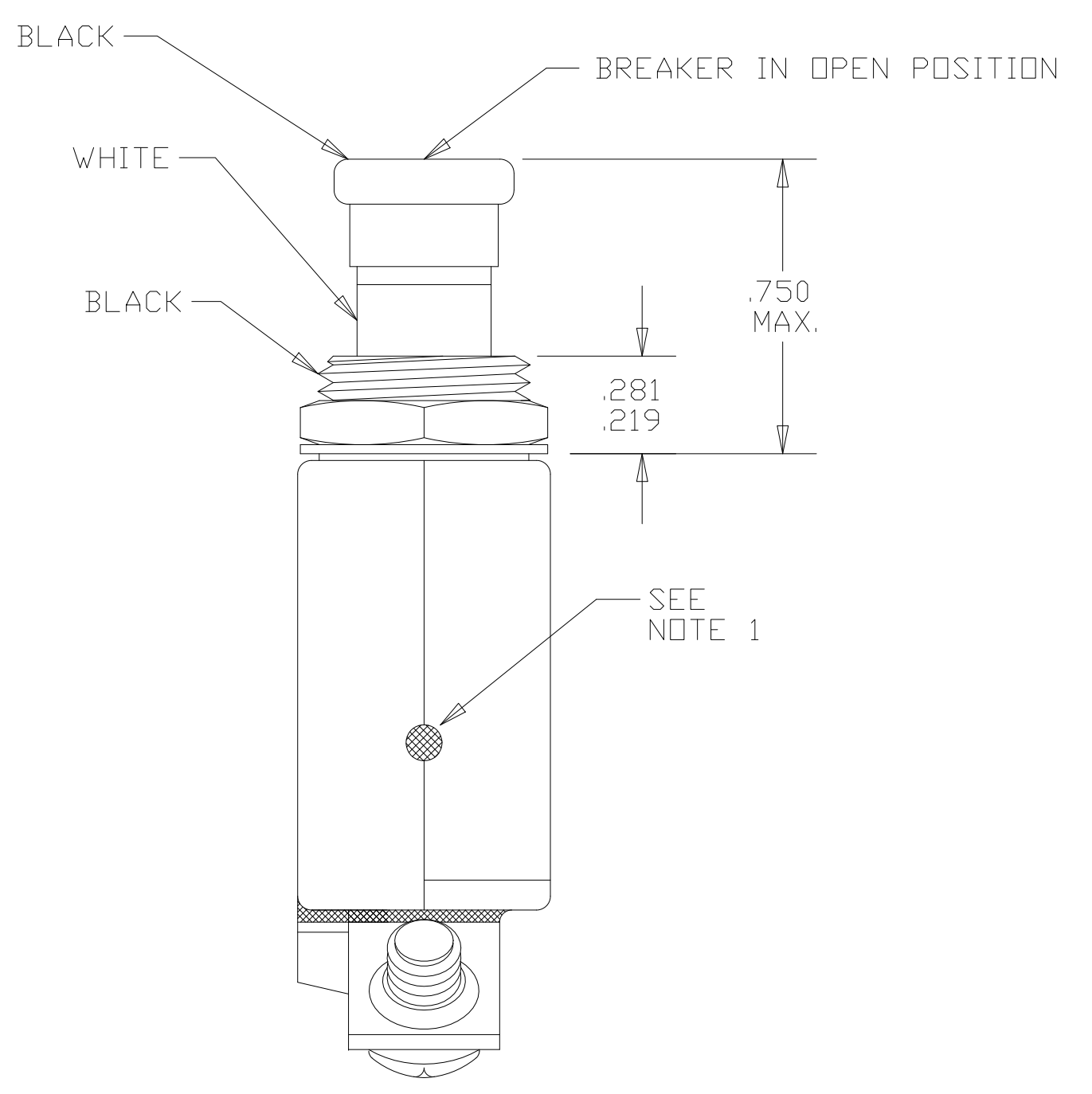
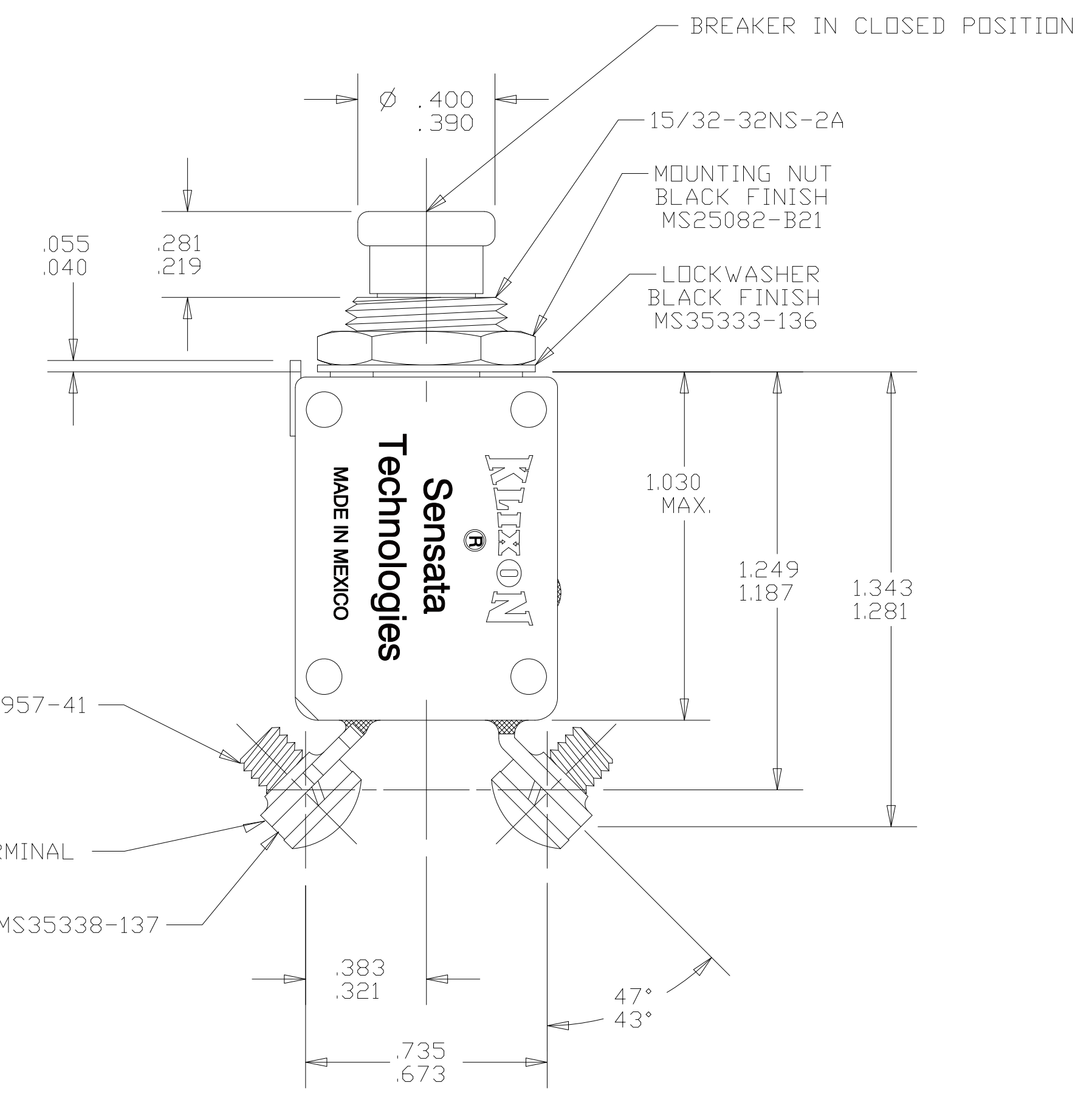
PULL OUT ----- 5 LBS. MAX. (22.2 N)
RESET ----- 5 LBS. MAX. (22.2 N)

OPERATING ALTITUDE: 70,000 FT. (21,000 M)
WEIGHT/MASS: 24.0 GRAMS MAX.; 22 GRAMS NOMINAL (.049 LBS)

VOLTAGE DROP:

1 AMP	1.10 VOLTS MAX.
2 AMP	0.70 VOLTS MAX.
2.5 AMP	0.50 VOLTS MAX.
3 AMP	0.40 VOLTS MAX.
4 AMP	0.45 VOLTS MAX.
5 AMP	0.35 VOLTS MAX.
7.5 AMP	0.30 VOLTS MAX.
10 AMP	0.28 VOLTS MAX.
15 AMP	0.25 VOLTS MAX.
20 AMP	0.25 VOLTS MAX.
25 AMP	0.20 VOLTS MAX.

- NOTES:
1. EPOXY SURFACES ARE NON-DIMENSIONED, ENVELOPE DIMENSIONS DO NOT APPLY TO THESE PROJECTED EPOXY SURFACES.
 2. TERMINAL AND MOUNTING HARDWARE MAY BE PACKAGED RATHER THAN INSTALLED
 3. COUNTRY OF ORIGIN IS SHOWN FOR ILLUSTRATION PURPOSES ONLY, COUNTRY OF ORIGIN TO BE IDENTIFIED AS REQUIRED.
 4. DATE CODE PER 10588-285.
 5. MARK IN APPROXIMATE POSITION SHOWN IN BLACK INK PER 12506-70.



FOR REFERENCE ONLY. CHECK LATEST REVISION BEFORE USE. PARTS MADE TO THIS PRINT MUST CONFORM TO E9898 REV. E		529 PLEASANT STREET P.O. BOX 2964 ATTLEBORO, MA 02703	
DRAWN CHAS. FLEURANT DATE 28-JUL-1995	SENSATA TECHNOLOGIES PROPRIETARY AND CONFIDENTIAL. NEITHER THIS PRINT NOR THE INFORMATION CONTAINED HEREON IS TO BE USED AGAINST THE INTERESTS OF SENSATA TECHNOLOGIES OR AGAINST THE INTERESTS OF ANY OF ITS AFFILIATED COMPANIES OR WHOLLY OWNED SUBSIDIARIES.		
ENGINEER D.L. EISNOR DATE 02-APR-1968	INTERPRET DIMENSIONING AND TOLERANCING PER ASME Y14.5-2009 UNLESS OTHERWISE SPECIFIED DIMENSIONS ARE IN INCHES.		
APPROVED	DECIMALS	ANGLES	TITLE PART NO 2TC14 AMBIENT COMPENSATED, HIGH TEMP. CIRCUIT BREAKER PUSH-PULL, TRIP FREE ENVELOPE DRAWING
DATE	DO NOT SCALE DRAWING	THIRD ANGLE PROJECTION	SIZE DWG NO. D 2TC14
APPROVED			REV. AG
DATE			SCALE 3:1 AUTOCAD SHEET 1 OF 1