

4

3

2

1

ZONE	REV.	REVISION DESCRIPTION	ECN NO.	DATE
D2	AC	CALIBRATION WAS 1 AMP - 35 AMP, NOW 1 AMP - 25 AMP;	ECO-080505	21-SEP-2012
C2		INTERRUPT CURRENT; 1 - 25 AMP WAS 1 - 35 AMP ; 25 AMP WAS 25 - 35 AMP;		
B2		VOLTAGE DROP; REMOVE 30 AND 35 AMP; REMOVE SENSATA PN 2TC65-30 AND 2TC65-35; PD		

PERFORMANCE CHARACTERISTICS - DETAIL PERFORMANCE PER AEROSPATIALE SPEC. 492.181/88 AND 462.024/84-A

OVERLOAD CYCLING	-----	100 CYCLES AT 200% RATING
VIBRATION	-----	5-2000 HZ, 10 G'S CURVE "R", AND RANDOM CURVE "D" OF EUROCAE ED-14B
MECHANICAL SHOCK	-----	50 G'S
CORROSION	-----	SALT SPRAY 48 HOURS
HUMIDITY	-----	48 HOURS

ENDURANCE:	115/200 VAC	360-800 HZ INDUCTIVE	2500 CYCLES
	28 VDC	INDUCTIVE RESISTIVE NO LOAD	2500 CYCLES 2500 CYCLES 10000 CYCLES

CALIBRATION:	1 AMP THRU 25 AMP	MIN. ULT. TRIP	MAX. ULT. TRIP	200%	500%	1000%
+23°C, +73°F	115% RATING	140% RATING	2-20 SEC.	.15-2.5 SEC.	.035-.60 SEC.	
-55°C, -67°F	115% RATING	160% RATING	7-40 SEC.	.15-2.5 SEC.	.035-.60 SEC.	
+125°C, +257°F	100% RATING	140% RATING	1.5-13 SEC.	.15-2.5 SEC.	.035-.60 SEC.	

INTERRUPT CURRENT:	1 THRU 25 AMP	120 VAC, 400 HZ	1800 AMPS A.C. (RMS)
	1 THRU 20 AMP	28 VDC	4000 AMPS D.C.
	25 AMP	28 VDC	1625 AMPS D.C.

MAXIMUM OPERATING FORCES	PULL OUT	RESET
	-----	-----
	5N TO 30N (6.6 LB MAX.)	3.5N TO 45N (10.0 LB MAX.)


OPERATING ALTITUDE: 15,000 M
WEIGHT: 24.0 GRAMS MAX.

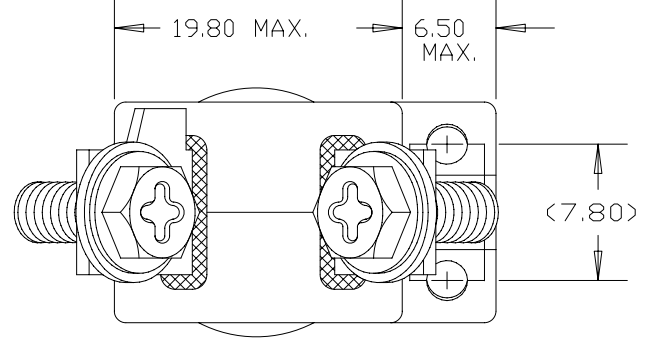
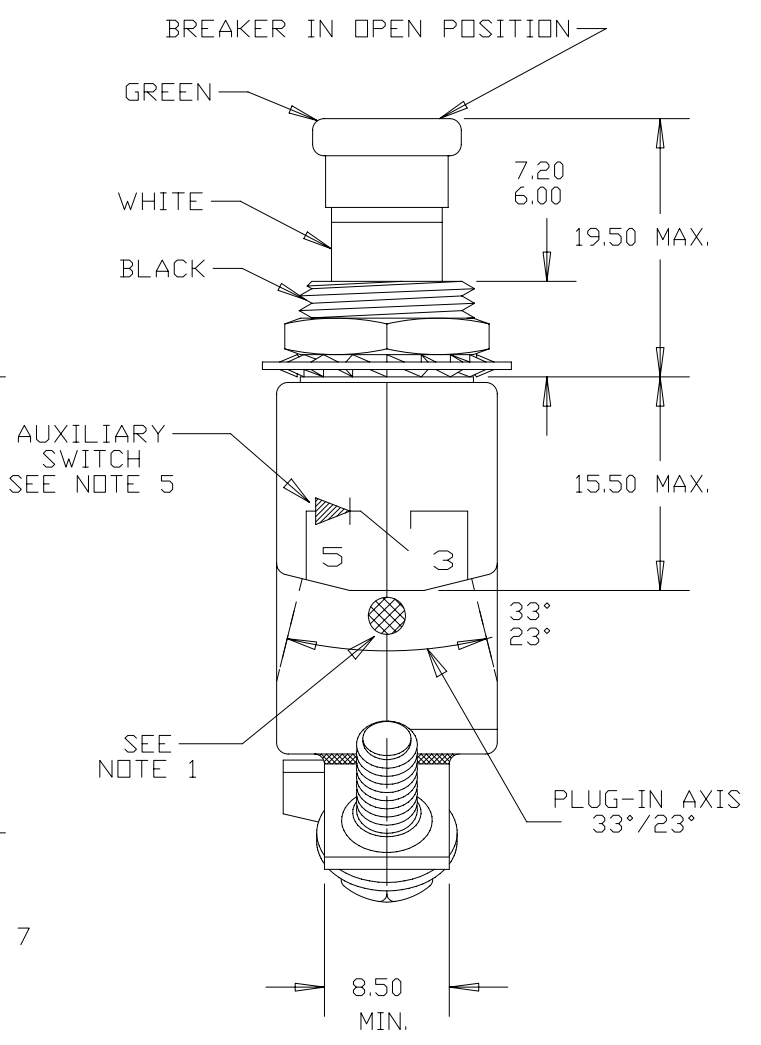
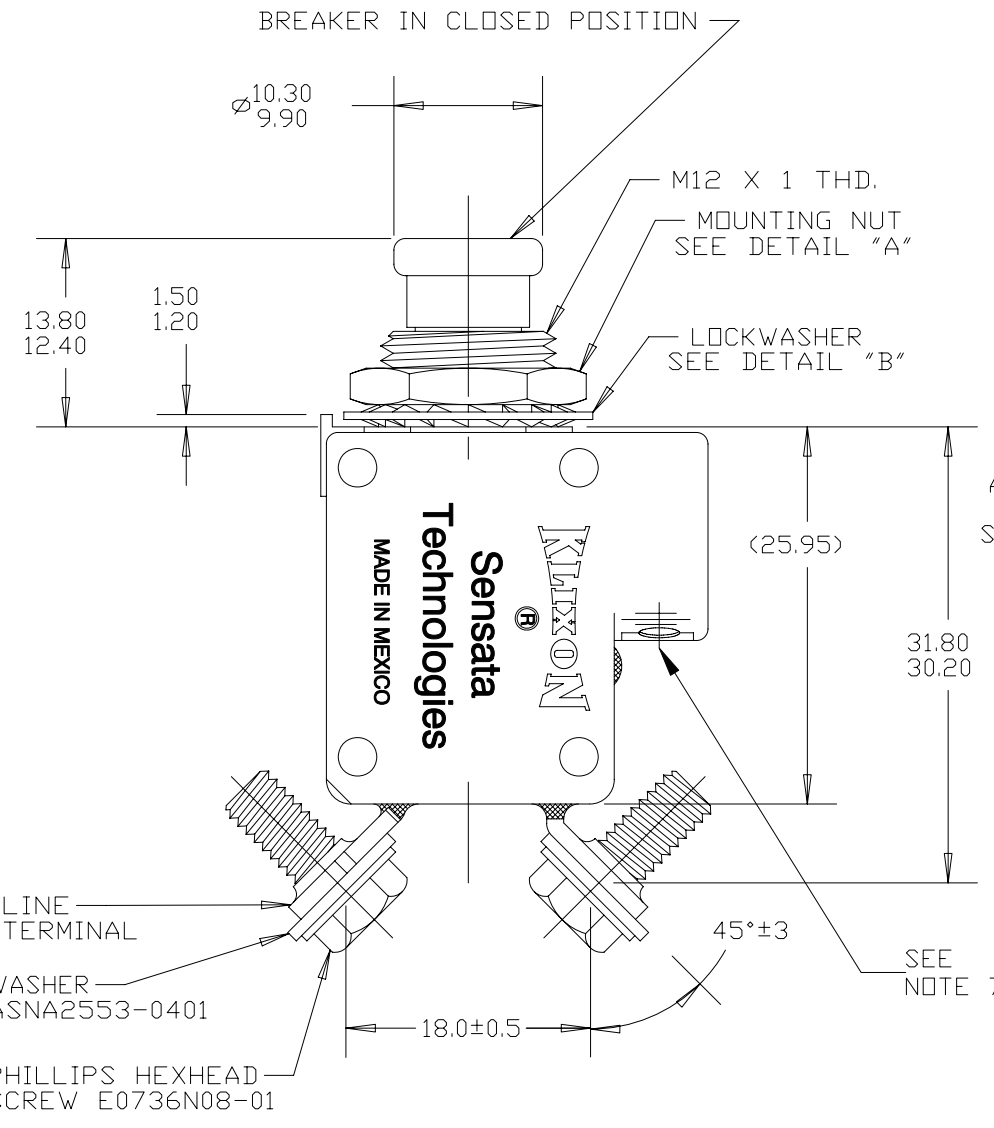
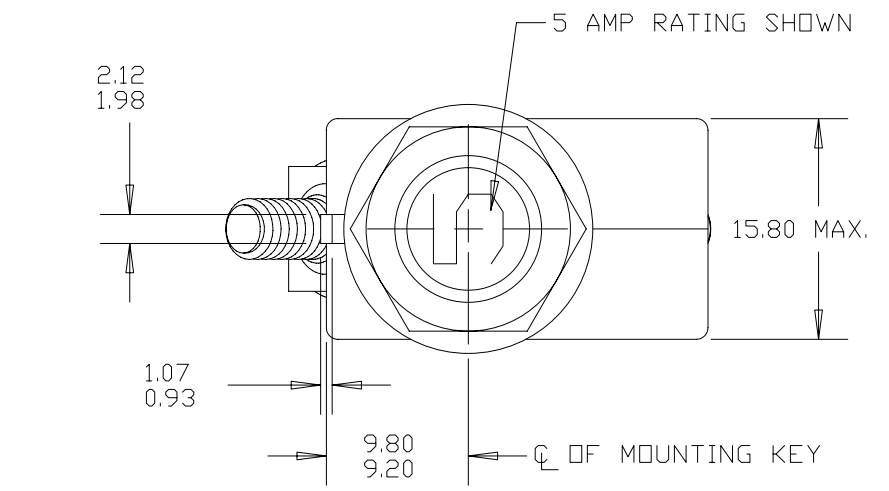
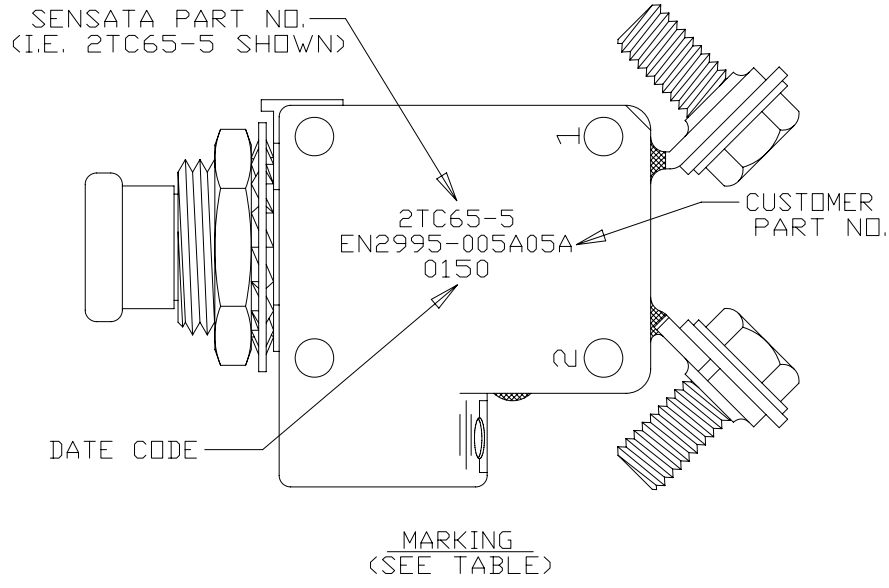
VOLTAGE DROP:	1 AMP	2 AMP	2.5 AMP	3 AMP	5 AMP	7.5 AMP	10 AMP	15 AMP	20 AMP	25 AMP
	-----	-----	-----	-----	-----	-----	-----	-----	-----	-----
	1.10 VOLTS MAX.	0.75 VOLTS MAX.	0.70 VOLTS MAX.	0.55 VOLTS MAX.	0.35 VOLTS MAX.	0.30 VOLTS MAX.	0.30 VOLTS MAX.	0.25 VOLTS MAX.	0.25 VOLTS MAX.	0.20 VOLTS MAX.

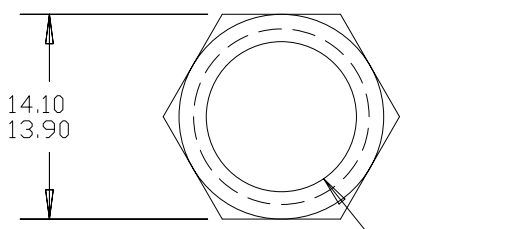
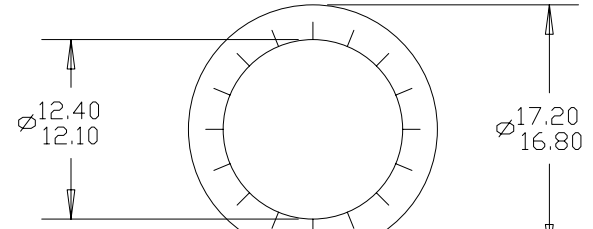
AUXILIARY SWITCH CHARACTERISTICS			
SIGNALIZATION CONTACT	TYPE OF LOAD	28 VDC	5 VDC
	RESISTIVE	0.5 A	5 mA
LAMP	0.2 A		

SENSATA PART NO.	CUSTOMER PART NO.	W/OUT TERMINAL HARDWARE
2TC65-1	EN2995-005A01AA	EN2995-005A01AB
2TC65-2	EN2995-005A02AA	EN2995-005A02AB
2TC65-21/2	EN2995-005A2A5A	EN2995-005A2A5B
2TC65-3	EN2995-005A03AA	EN2995-005A03AB
2TC65-5	EN2995-005A05AA	EN2995-005A05AB
2TC65-71/2	EN2995-005A7A5A	EN2995-005A7A5B
2TC65-10	EN2995-005A10AA	EN2995-005A10AB
2TC65-15	EN2995-005A15AA	EN2995-005A15AB
2TC65-20	EN2995-005A20AA	EN2995-005A20AB
2TC65-25	EN2995-005A25AA	EN2995-005A25AB

- NOTES:
1. EPOXY SURFACES ARE NON-DIMENSIONED, ENVELOPE DIMENSIONS DO NOT APPLY TO THESE PROJECTED EPOXY SURFACES.
 2. TERMINAL AND MOUNTING HARDWARE MAY BE PACKAGED RATHER THAN INSTALLED.
 3. COUNTRY OF ORIGIN IS SHOWN FOR ILLUSTRATION PURPOSES ONLY. COUNTRY OF ORIGIN TO BE IDENTIFIED AS REQUIRED.
 4. DATE CODE PER 10588-285.
 5. MARK IN APPROXIMATE POSITION SHOWN IN BLACK INK PER 12506-70.
 6. COUNTRY OF ORIGIN IS SHOWN FOR ILLUSTRATION PURPOSES ONLY. COUNTRY OF ORIGIN TO BE IDENTIFIED AS REQUIRED.
 7. RECOMMENDED PIN CONTACT: GAUGE 20 PER EN3155-016M2018 OR EQUIVALENT.

FOR REFERENCE ONLY, CHECK LATEST REVISION BEFORE USE. PARTS MADE TO THIS PRINT MUST CONFORM TO E9898 REV. E		 529 PLEASANT STREET P.O. BOX 2964 ATTLEBORO, MA 02703	
DRAWN D. STAPLES DATE 20-OCT-1993 ENGINEER J. FOWLER DATE 20-OCT-1993 APPROVED A. ANDRES DATE 20-OCT-1993 APPROVED P. BERG DATE 20-OCT-1993	SENSATA TECHNOLOGIES PROPRIETARY AND CONFIDENTIAL. NEITHER THIS PRINT NOR THE INFORMATION CONTAINED HEREON IS TO BE USED AGAINST THE INTERESTS OF SENSATA TECHNOLOGIES OR AGAINST THE INTERESTS OF ANY OF ITS AFFILIATED COMPANIES OR WHOLLY OWNED SUBSIDIARIES. INTERPRET DIMENSIONING AND TOLERANCING PER ASME Y14.5-2009. UNLESS OTHERWISE SPECIFIED DIMENSIONS ARE IN INCHES. TOLERANCES DECIMALS ANGLES	TITLE PART NO. 2TC65 AMBIENT COMPENSATED, HIGH TEMP. CIRCUIT BREAKER PUSH-PULL, TRIP FREE ENVELOPE DRAWING	SIZE C DWG NO. 2TC65 REV. AC
DO NOT SCALE DRAWING	THIRD ANGLE PROJECTION	SCALE 4:1	AUTOCAD SHEET 1 OF 1



 M12 x 1 THD. 2.60 2.40 DETAIL "A" MOUNTING NUT BLACK FINISH	 Ø12.40 12.10 17.20 16.80 0.53 0.47 RONDILLE EVENTAIL JZE Ø 17 N° DERETEREVE 23 12 01 42 LOCKWASHER - BLACK FINISH DETAIL "B"
---	--

4

3

2

1

DEVICE: 2TC

PROJECT: 1041