

Property of
Sensata Technologies

ZONE	REV.	REVISION DESCRIPTION	ECN NO.	DATE
A4	AM	IN TABLE; SENSATA PN 2TC6-15 WAS BACC18Z15R (CUSTOMER PN); PD	ECO-105732	29-SEP-2014

PERFORMANCE CHARACTERISTICS

DETAIL PERFORMANCE PER MIL-C-5809G

OVERLOAD CYCLING	-----	100 CYCLES AT 200% RATING
VIBRATION	-----	10 G'S MINIMUM 50-500 HZ
MECHANICAL SHOCK	-----	50 G'S
ACCELERATION	-----	10 G'S
SAND AND DUST	-----	12 HOURS
CORROSION	-----	SALT SPRAY 50 HOURS
HUMIDITY	-----	10 DAYS
EXPLOSION PROOF	-----	WHILE INTERRUPTING RUPTURE CURRENTS

ENDURANCE:	120 VAC	400 HZ INDUCTIVE	2500 CYCLES
	30 VDC	400 HZ RESISTIVE	5000 CYCLES
		INDUCTIVE	2500 CYCLES
		RESISTIVE	5000 CYCLES
		NO LOAD	10000 CYCLES

CALIBRATION:	1 AMP THRU 20 AMP	MIN. ULT. TRIP	MAX. ULT. TRIP	200%	500%	1000%
+25°C, +77°F	115% RATING	138% RATING	5-20 SEC.	.5-2.0 SEC.	.12-.53 SEC.	
-54°C, -65°F	115% RATING	165% RATING	7-35 SEC.	.6-3.0 SEC.	.15-.70 SEC.	
+121°C, +250°F	85% RATING	145% RATING	2-13 SEC.	.25-1.0 SEC.	.06-.25 SEC.	

RUPTURE:	1 THRU 10 AMP	120 VAC, 400 CPS	2800 AMPS
	1 THRU 20 AMP	28 VDC	6000 AMPS
	15 AMP	120 VAC, 400 CPS	2500 AMPS
	20 AMP	120 VAC, 400 CPS	2000 AMPS
	25 AMP	28 VDC	1625 AMPS
	25 AMP	120 VAC, 400 CPS	1800 AMPS

MAXIMUM OPERATING FORCES

PULL OUT	-----	1.5 - 5.0 LBS
RESET	-----	1.0 - 5.0 LBS

OPERATING ALTITUDE: 70,000 FT (21,000 M)

WEIGHT: 27.0 GRAMS MAX.

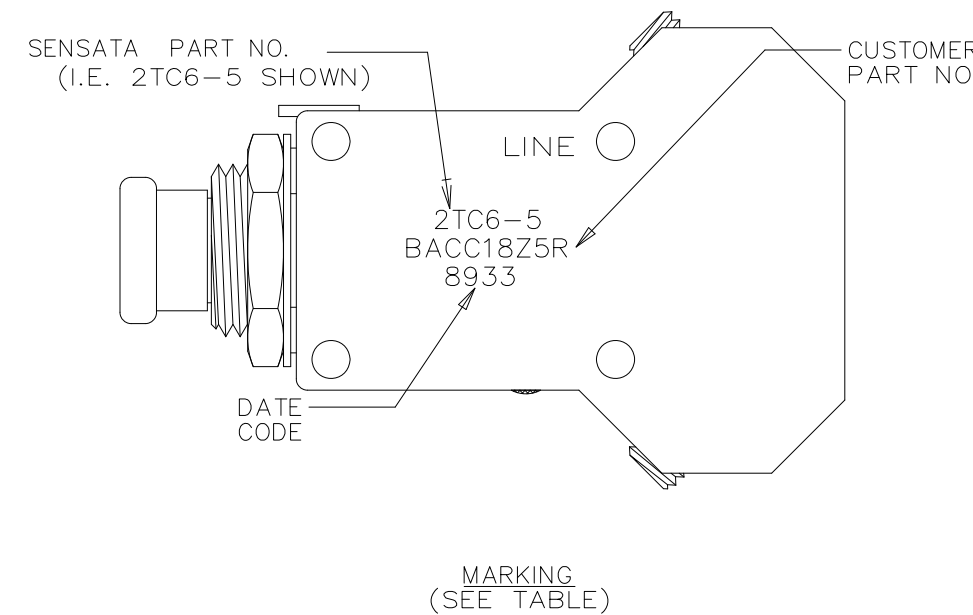
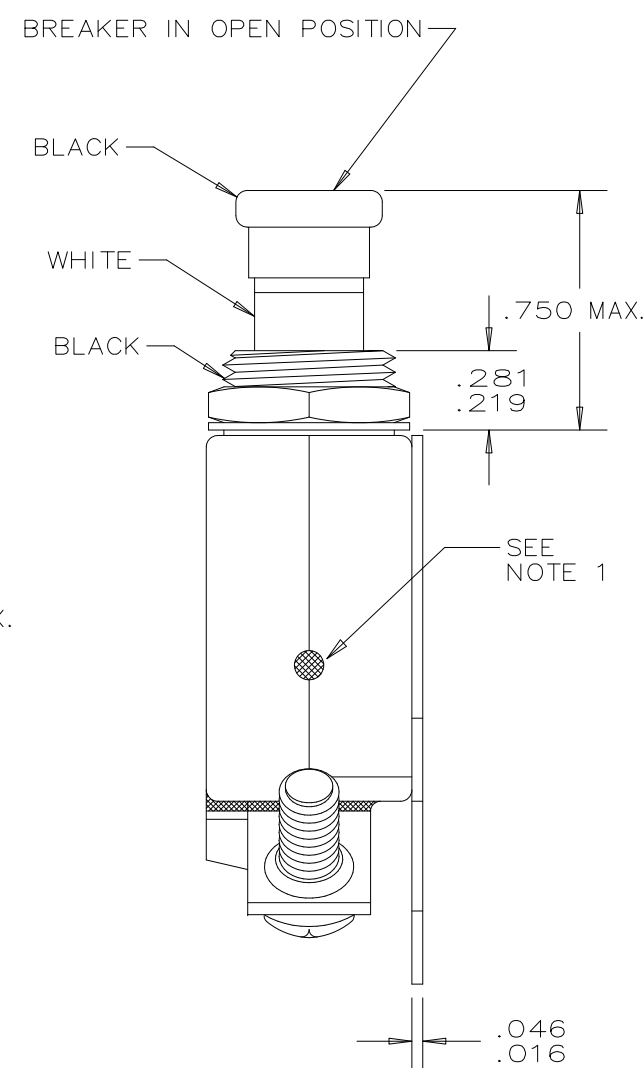
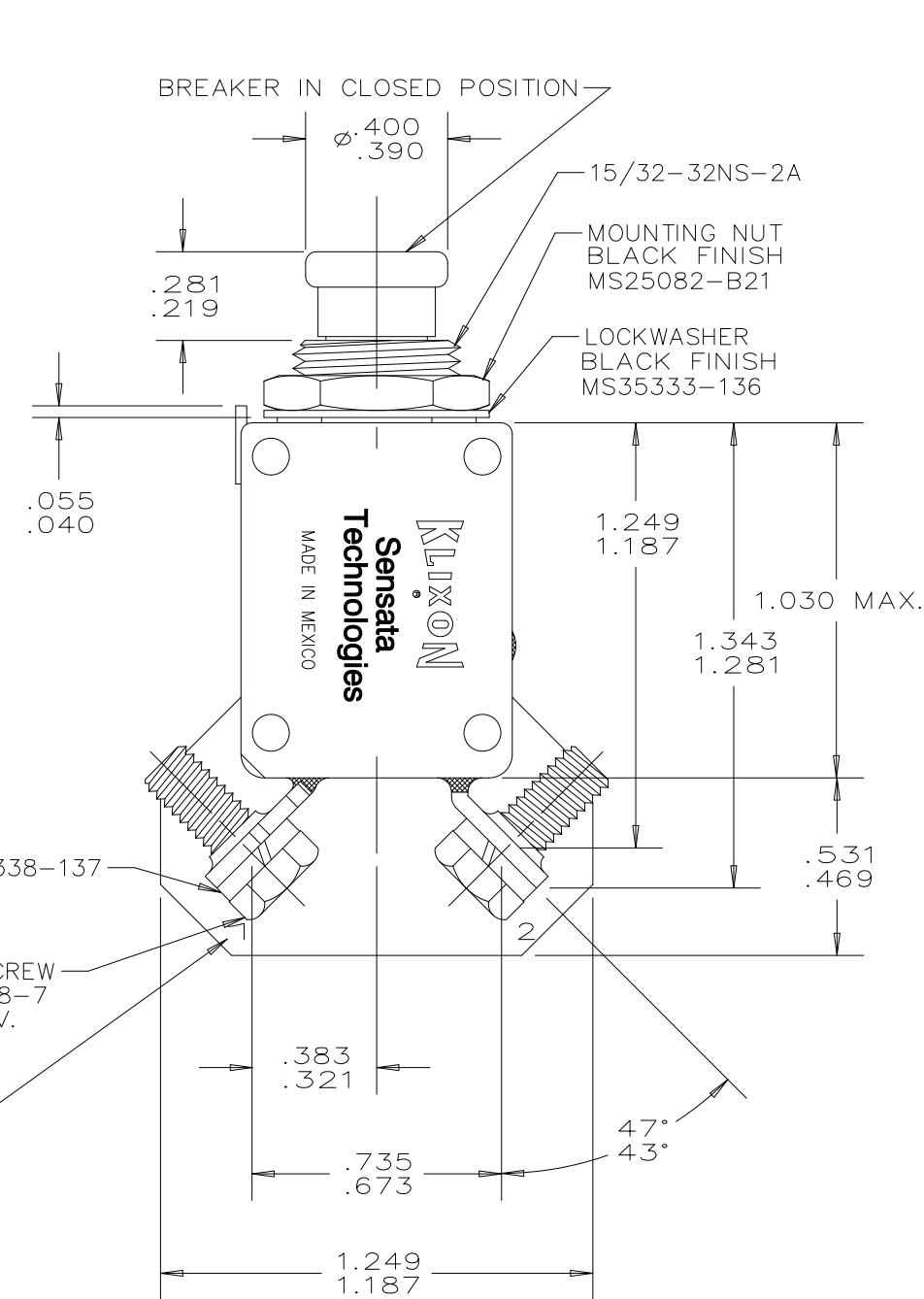
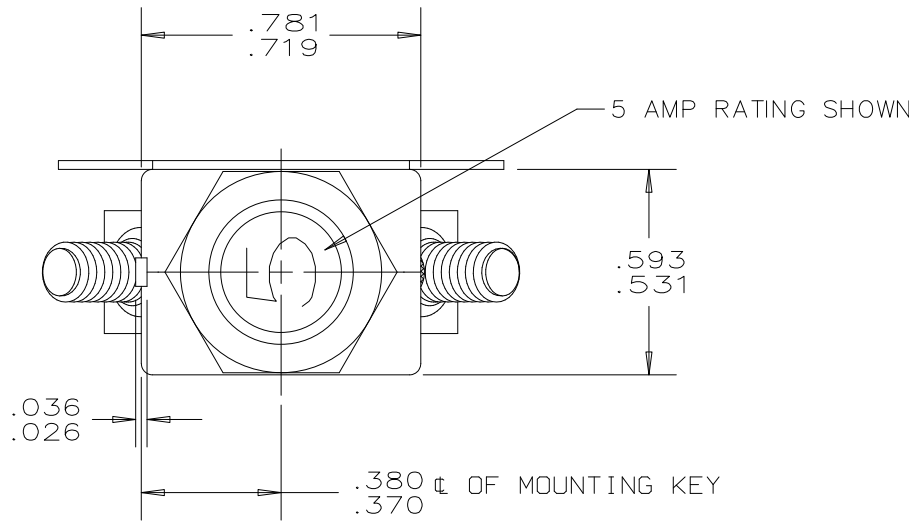
VOLTAGE DROP:

1 AMP	-----	1.10 VOLTS MAX.
2 AMP	-----	0.70 VOLTS MAX.
2.5 AMP	-----	0.50 VOLTS MAX.
3 AMP	-----	0.40 VOLTS MAX.
5 AMP	-----	0.35 VOLTS MAX.
7.5 AMP	-----	0.30 VOLTS MAX.
10 AMP	-----	0.28 VOLTS MAX.
15 AMP	-----	0.25 VOLTS MAX.
20 AMP	-----	0.25 VOLTS MAX.
25 AMP	-----	0.20 VOLTS MAX.

VIBRATION RANDOM: PER BPS-C-144
9dB/OCT RISE, 5-15 HZ; PSD OF 0.2(G²/HZ) FROM 15 TO 100 HZ;
9dB/OCT FALL 100 TO 2000 HZ

NOTES:

- EPOXY SURFACES ARE NON-DIMENSIONED, ENVELOPE DIMENSIONS DO NOT APPLY TO THESE PROJECTED EPOXY SURFACES.
- TERMINAL AND MOUNTING HARDWARE MAY BE PACKAGED RATHER THAN INSTALLED
- COUNTRY OF ORIGIN IS SHOWN FOR ILLUSTRATION PURPOSES ONLY, COUNTRY OF ORIGIN TO BE IDENTIFIED AS REQUIRED.
- DATE CODE PER 10588-285.
- MARK IN APPROXIMATE POSITION SHOWN IN BLACK INK PER 12506-70.



2TC6-25	N/A
2TC6-20	N/A
2TC6-15	N/A
2TC6-10	BACC18Z10R
2TC6-7 1/2	BACC18Z7R
2TC6-5	BACC18Z5R
2TC6-3	BACC18Z3R
2TC6-2 1/2	BACC18Z2R
2TC6-2	BACC18Z02R
2TC6-1	BACC18Z1R
SENSATA PART NO.	CUSTOMER PART NO.

FOR REFERENCE ONLY, CHECK LATEST REVISION BEFORE USE. PARTS MADE TO THIS PRINT MUST CONFORM TO E9898 REV. E				529 PLEASANT STREET P.O. BOX 2964 ATTLEBORO, MA 02703	
DRAWN CHAS. FLEURANT DATE 22-SEP-1992	<small>SENSATA TECHNOLOGIES PROPRIETARY AND CONFIDENTIAL. NEITHER THIS PRINT NOR THE INFORMATION CONTAINED HEREON IS TO BE USED AGAINST THE INTERESTS OF SENSATA TECHNOLOGIES OR AGAINST THE INTERESTS OF ANY OF ITS AFFILIATED COMPANIES OR WHOLLY OWNED SUBSIDIARIES.</small>		TITLE PART NO 2TC6 AMBIENT COMPENSATED HIGH TEMP. CIRCUIT BREAKER PUSH-PULL, TRIP FREE ENVELOPE DRAWING		REV. AM
ENGINEER J. MASI DATE 01-OCT-1992	UNLESS OTHERWISE SPECIFIED DIMENSIONS ARE IN INCHES TOLERANCES DECIMALS ANGLES		SIZE C	DWG NO. 2TC6	
APPROVED	DO NOT SCALE DRAWING	THIRD ANGLE PROJECTION	SCALE AUTOCAD	SHEET 1 OF 1	
DATE APPROVED	DATE	DEVICE:	PROJECT: 1		