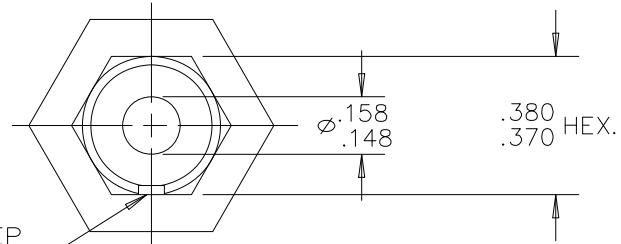


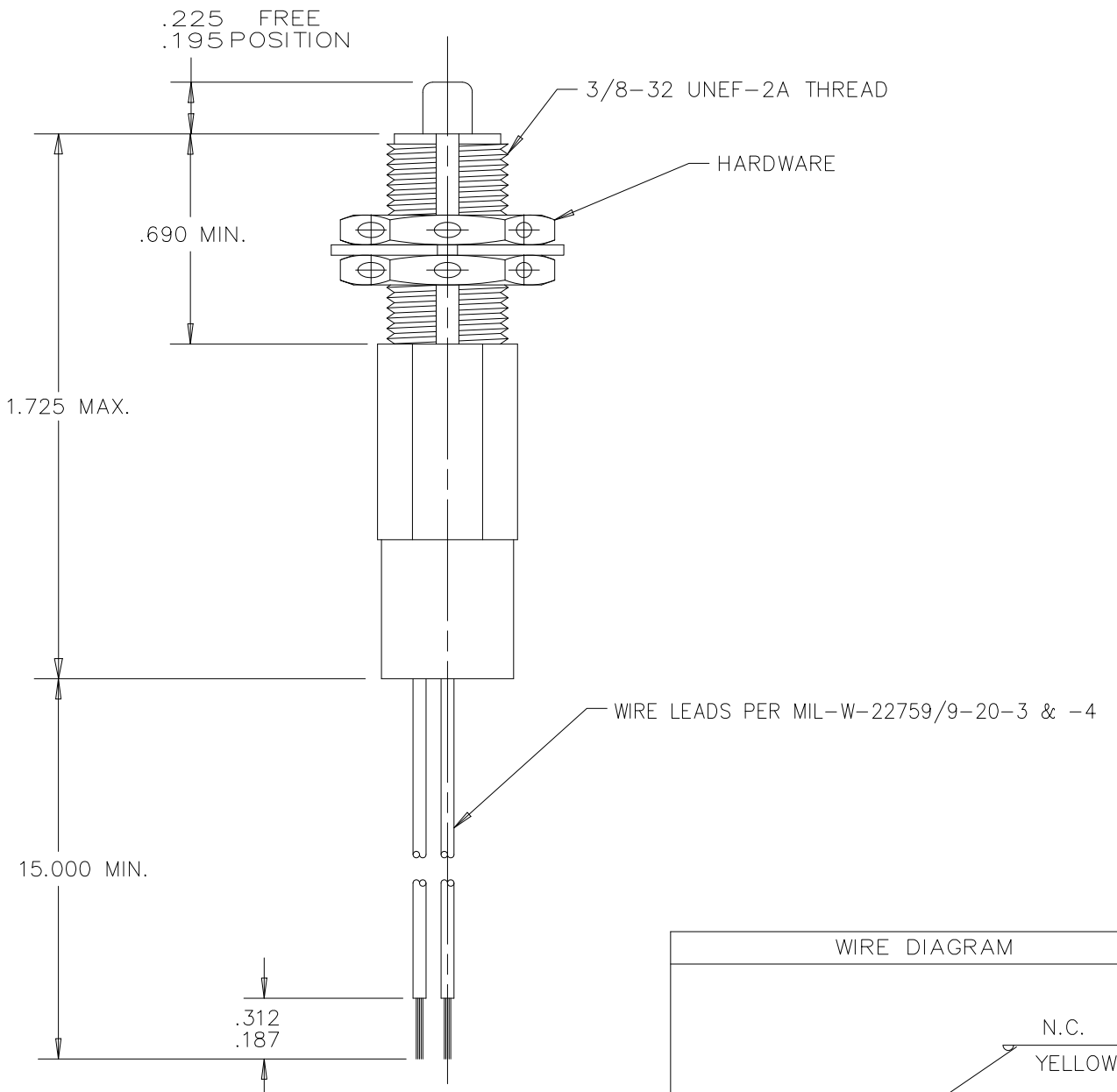
Property of  
Sensata Technologies

ZONE	REV.	REVISION DESCRIPTION	ECN NO.	DATE
C1	P	ADDED TO DIELECTRIC STRENGTH "& T-T < 2mA FOR 1 MIN.": DP	ECO-260279	10-OCT-2018



KEYWAY, .023/.027 DEEP  
.065/.071 WIDE

VIEW SHOWN WITH HEX  
NUT IN PHANTOM.

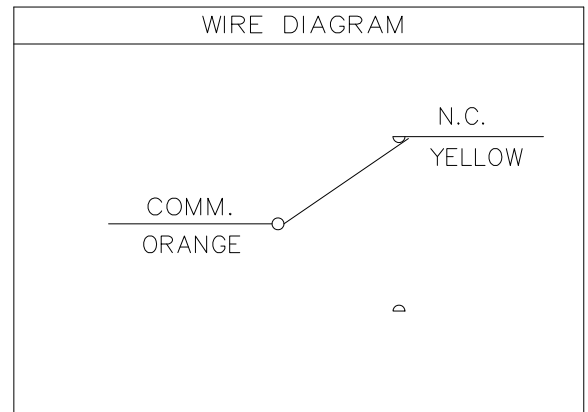


**CHARACTERISTICS**

CONTACT ARRANGEMENT: S.P.S.T.  
 ACTUATION FORCE: 3.5 LBS. MAX.  
 PRETRAVEL: .020 MAX.  
 RELEASE FORCE: 1.0 LBS. MIN.  
 MOVEMENT DIFFERENTIAL: .010 MAX.  
 OVERTRAVEL: .180 MIN.  
 TEMPERATURE RANGE: -65° F. TO +450°F.  
 DIELECTRIC STRENGTH  
 INITIAL: 1000 VRMS  
 SUBSEQUENT: 800 VRMS  
 VOLTAGE DROP:  
 INITIAL: 0.0025 V MAX. @ 5±1 VDC, 0.010 ±.001 AMP  
 END OF LIFE: 5 V MAX. @ 28 ±1 VDC, 1.0 ± 0.1 AMP  
 SEAL: HERMETIC PER MIL-S-8805  
 MAX. ALLOWED LEAKAGE: 1 X 10<sup>-8</sup> CC He/SEC.  
 CURRENT CAPACITY:

SEA LEVEL AND 70,000 FT ALTITUDE	
LOAD	3 - 40 VDC
RESISTIVE	1 AMP
INDUCTIVE	1/2 AMP
LAMP	1/2 AMP

INSULATION RESISTANCE AT 500 VDC: 100 MEGOHMS MIN.  
 SHOCK RESISTANCE (WITHOUT CONTACT CHATTER): 200 G'S  
 VIBRATION RESISTANCE (WITHOUT CONTACT CHATTER): 65 G'S (20-2000 HZ)  
 WEIGHT (WITHOUT LEADS): .10 LBS  
 MOUNTING HARDWARE: HEX NUT (2) 75978-1  
 KEYWASHER (1) SENSATA DWG. 11896-11  
 MAX. LIFE AT 1 AMP IS 25K CYCLES



FOR REFERENCE ONLY, CHECK LATEST REVISION BEFORE USE. PARTS MADE TO THIS PRINT MUST CONFORM TO E9898 REV. E	
DRAWN D. STAPLES DATE 28-JUL-1993	SENSATA TECHNOLOGIES PROPRIETARY AND CONFIDENTIAL. NEITHER THIS PRINT NOR THE INFORMATION CONTAINED HEREON IS TO BE USED AGAINST THE INTERESTS OF SENSATA TECHNOLOGIES OR AGAINST THE INTERESTS OF ANY OF ITS AFFILIATED COMPANIES OR WHOLLY OWNED SUBSIDIARIES.
ENGINEER A. RUBEL DATE 28-JUL-1993	
APPROVED B. CAREY DATE 28-JUL-1993	INTERPRET DIMENSIONING AND TOLERANCING PER ASME Y14.5-2009. UNLESS OTHERWISE SPECIFIED DIMENSIONS ARE IN INCHES. TOLERANCES DECIMALS ANGLES
APPROVED S. CHURA DATE 28-JUL-1993	DO NOT SCALE DRAWING

**Sensata Technologies** 529 PLEASANT STREET  
P.O. BOX 2964  
ATTLEBORO, MA 02703

TITLE  
HERMETICALLY SEALED S.P.S.T.  
SWITCH, ENVIRONMENTALLY SEALED  
PLUNGER ACTUATED E.D.

SIZE B	DWG NO. <b>3AT119-4</b>	REV. P
-----------	----------------------------	-----------

SCALE 4:1 AUTOCAD SHEET 1 OF 1