

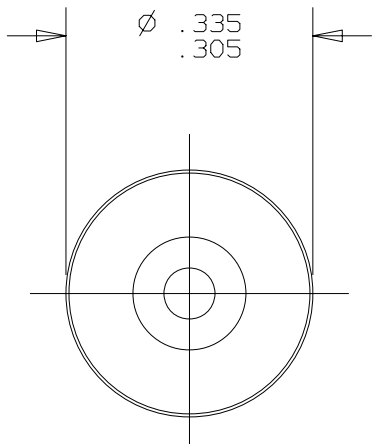
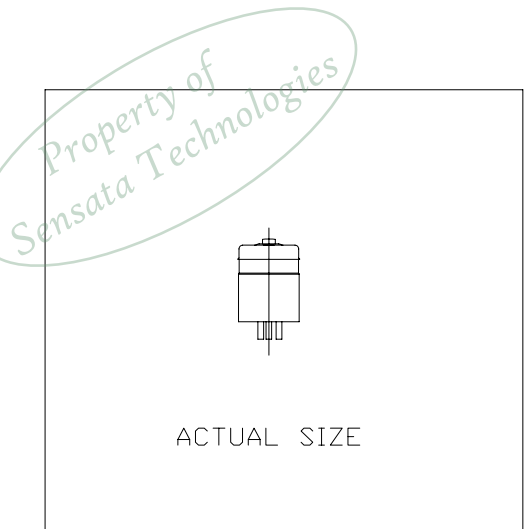
4

3

2

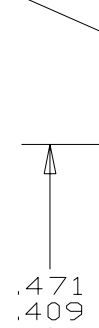
1

ZONE	REV.	REVISION DESCRIPTION	ECN NO.	DATE
D2	J	NOTE 4 OVERTRAVEL WAS .003 MIN; PAF	ECN0035777	02-NOV-2007



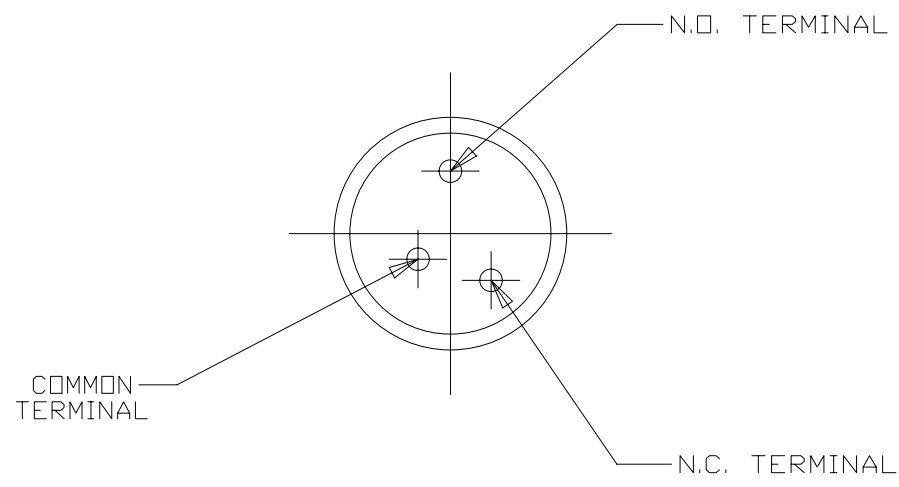
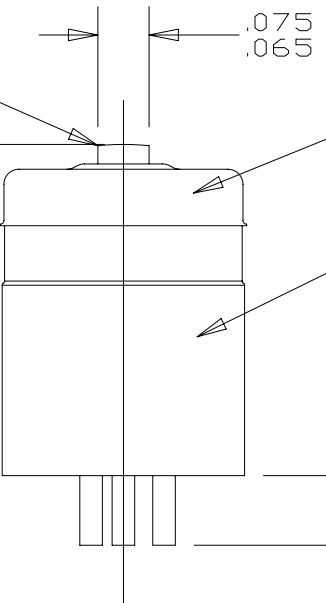
- CHARACTERISTICS
- ACTUATING FORCE ----- 20 OZ. MAX. AT STP
  - MOVEMENT DIFFERENTIAL ----- .003 MAX.
  - PRETRAVEL ----- .003 - .009
  - OVERTRAVEL ----- .002 MIN.
  - RELEASE FORCE ----- 4 OZ. MIN. AT STP
  - WEIGHT ----- .04 OZ.
  - AMBIENT TEMPERATURE RANGE ----- -65°F. TO +600°F.
  - CONTACT ARRANGEMENT ----- S.P.D.T.
  - LIFE AT RATED LOAD ----- 25,000 CYCLES
  - DIELECTRIC STRENGTH ACROSS: (AT 75°F)
    - OPEN TERMINALS ----- 500 V RMS (5 SEC)
    - TERMINALS TO CASE ----- 500 V RMS (5 SEC)
  - VOLTAGE DROP AT 1 AMP ----- .080 V
  - SEAL ----- HERMETIC PER MIL-S-8805
  - MAX. ALLOWED LEAKAGE ----- 1 X 10<sup>-8</sup> STD. CC HE/SEC.
  - BACKFILL ----- DRY NITROGEN
  - MAX. FORCE ALLOWED ON TOP OF ACTUATOR ----- 5 LBS.
  - CURRENT CAPACITY SEA LEVEL AND 70,000 FT. ALTITUDE.
    - LOAD ----- 28 VOLTS DC
    - RESISTIVE ----- 1 AMP.
    - INDUCTIVE ----- 1/2 AMP.
  - SHOCK RESISTANCE (WITHOUT CONTACT CHATTER) ----- 200 G'S
  - VIBRATION RESISTANCE (55 - 200 HZ) (WITHOUT CONTACT CHATTER) ----- 65 G'S

STAINLESS STEEL ACTUATOR BUTTON



METAL DIAPHRAGM

STAINLESS STEEL COVER



FOR REFERENCE ONLY, CHECK LATEST REVISION BEFORE USE. PARTS MADE TO THIS PRINT MUST CONFORM TO E9898 REV. E

DRAWN <b>D. MCINERNEY</b> DATE 11-AUG-1988	SENSATA TECHNOLOGIES PROPRIETARY AND CONFIDENTIAL. NEITHER THIS PRINT NOR THE INFORMATION CONTAINED HEREON IS TO BE USED AGAINST THE INTERESTS OF SENSATA TECHNOLOGIES OR AGAINST THE INTERESTS OF ANY OF ITS AFFILIATED COMPANIES OR WHOLLY OWNED SUBSIDIARIES.	529 PLEASANT STREET P.O. BOX 2964 ATTLEBORO, MA 02703
ENGINEER <b>P. MELENEY</b> DATE 16-AUG-1988		
APPROVED  DATE APPROVED  DATE	UNLESS OTHERWISE SPECIFIED DIMENSIONS ARE IN INCHES TOLERANCES DECIMALS                      ANGLES	TITLE <b>3AT2-1 HERMETICALLY SEALED          SUB-MINIATURE PRECISION SWITCH          ENVELOPE DRAWING</b>
	DO NOT SCALE DRAWING THIRD ANGLE PROJECTION	SIZE <b>B</b> DWG NO. <b>3AT2-1</b> REV. <b>J</b>
	DEVICE: 3AT	SCALE 4:1    AUTOCAD    SHEET 1 OF 1

4

3

2

1