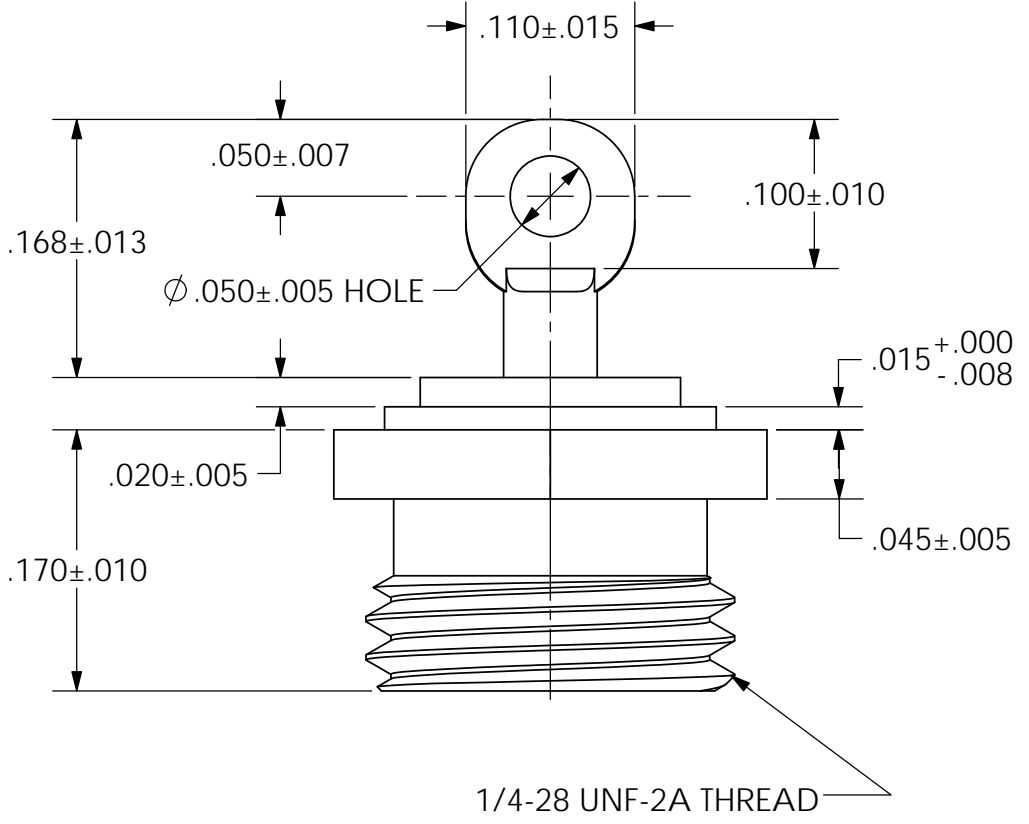
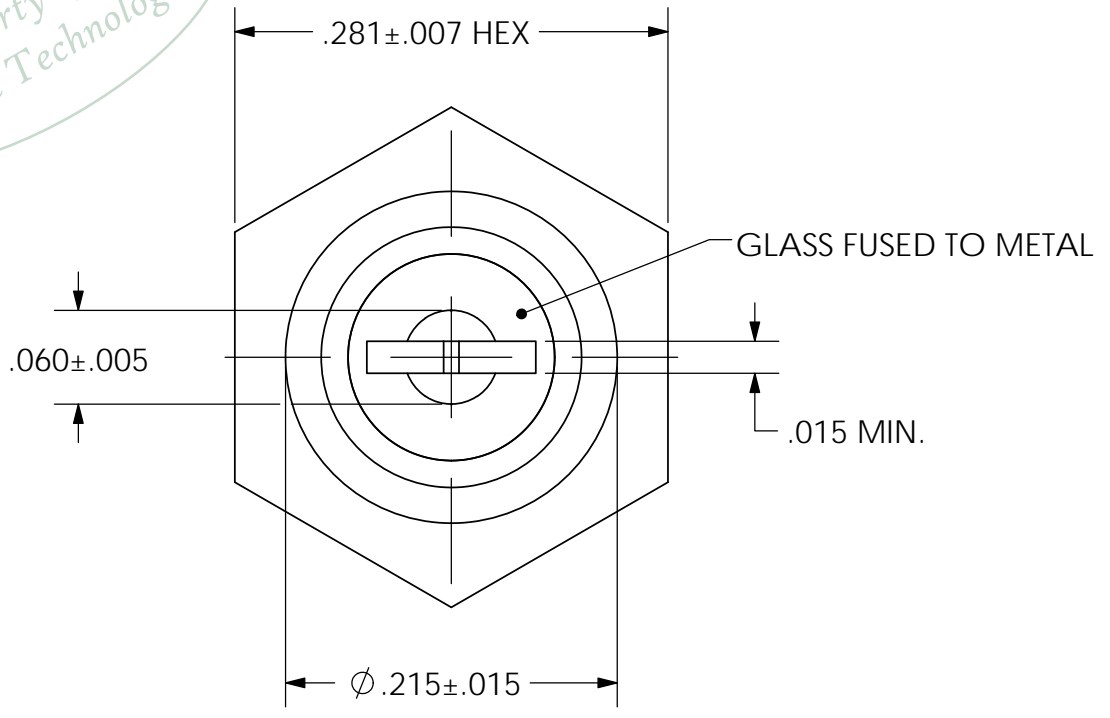


Property of
Sensata Technologies



REFERENCE VIEW
SCALE 2:1

ZONE	REV.	REVISION DESCRIPTION	ECN NO.	DATE
	E	RE-DOCUMENTED IN S/W, REMOVED NOTE "WT. ACT 1.0 GRAMS": DP	ECO-274265	17-DEC-2018


PART NO.: 3BTL3- * - ☒
3BTF3- * - ☒

"L" DESIGNATES OPEN ON TEMPERATURE RISE.
"F" DESIGNATES CLOSE ON TEMPERATURE RISE.

* WHEN CUSTOMERS TEMPERATURE CHARACTERISTICS ARE ESTABLISHED,
A DASH NO. WILL BE ASSIGNED, THEREBY COMPLETING THE PART NO.

☒ IF WIRE LEADS ARE REQUIRED, A SECOND DASH NO. WILL BE ASSIGNED
TO THE COMPLETED PART NO.

NOTES:
1. MAXIMUM TORQUE APPLIED TO DEVICE TO BE 6 INCH-LBS.

FOR REFERENCE ONLY, CHECK LATEST REVISION BEFORE USE. PARTS MADE TO THIS PRINT MUST CONFORM TO E9898 REV. E.		 529 PLEASANT STREET P.O. BOX 2964 ATTLEBORO, MA 02703	
DRAWN J.D.MAYALL DATE 20-MAY-1964	SENSATA TECHNOLOGIES PROPRIETARY AND CONFIDENTIAL. NEITHER THIS PRINT NOR THE INFORMATION CONTAINED HEREON IS TO BE USED AGAINST THE INTERESTS OF SENSATA TECHNOLOGIES OR AGAINST THE INTERESTS OF ANY OF ITS AFFILIATED COMPANIES OR WHOLLY OWNED SUBSIDIARIES.		TITLE 3BTL3- * OR 3BTF3- * TYPE THERMOSTAT S.P.S.T. AUTO RESET SEALED ENVELOPE DRAWING
ENGINEER J.D. DATE 20-MAY-1964	INTERPRET DIMENSIONING AND TOLERANCING PER ASME Y14.5-2009. UNLESS OTHERWISE SPECIFIED DIMENSIONS ARE IN INCHES. TOLERANCES DECIMALS ANGLES		SIZE B
APPROVED	DO NOT SCALE DRAWING	THIRD ANGLE PROJECTION	DWG NO. 3BT-3
DATE	SCALE 8:1	SOLIDWORKS	REV. E
APPROVED	SCALE 8:1	SOLIDWORKS	SHEET 1 OF 1
DATE	SCALE 8:1	SOLIDWORKS	SHEET 1 OF 1