

4

3

2

1

ZONE	REV.	REVISION DESCRIPTION	ECN NO.	DATE
	A	INITIAL RELEASE FOR PRODUCTION; PAF	ECN0044022	08-AUG-2008

DETAIL PERFORMANCE PER MIC-C-5809 + MS25244

OVERLOAD CYCLING	-----	100 CYCLES AT 200% RATED CURRENT
VIBRATION	-----	10 G'S
MECHANICAL SHOCK	-----	30 G'S PEAK
ACCELERATION	-----	10 G'S
SAND & DUST	-----	12 HOURS
CORROSION	-----	SALT SPRAY 96 HOURS
MOISTURE RESISTANCE	-----	10 DAYS
EXPLOSION PROOF	-----	WHILE INTERRUPTING RUPTURE CURRENTS

ENDURANCE:	120 VAC	400 HZ INDUCTIVE	2,500 CYCLES
	30 VDC	400 HZ RESISTIVE	5,000 CYCLES
MECHANICAL		INDUCTIVE	2,500 CYCLES
		RESISTIVE	5,000 CYCLES
		NO LOAD	5,000 CYCLES

CALIBRATION:

	5-7 1/2 AMP MIN. ULT. TRIP	10-35 AMP MIN. ULT. TRIP	5-7 1/2 AMP MAX. ULT. TRIP	10-35 AMP MAX. ULT. TRIP	5-35 AMP 200%	5-35 AMP 400%	5-35 AMP 600%
+25°C. (+77°F.)	115%	115%	138%	138%	15 - 55 SEC.	2 - 7 SEC.	1.0 - 3.5 SEC.
-40°C. (-40°F.)	156%	148%	178%	178%	-	-	-
+71°C. (+160°F.)	60%	70%	108%	114%	-	-	-

RUPTURE:

5 AMP THRU 35 AMP	120 VAC 400 HZ	3500 AMPERES
5 AMP THRU 35 AMP	30 VDC	6000 AMPERES

MAXIMUM OPERATING FORCES:

PULL OUT	-----	1.2-8 LBS.
RESET	-----	1.8-12 LBS.

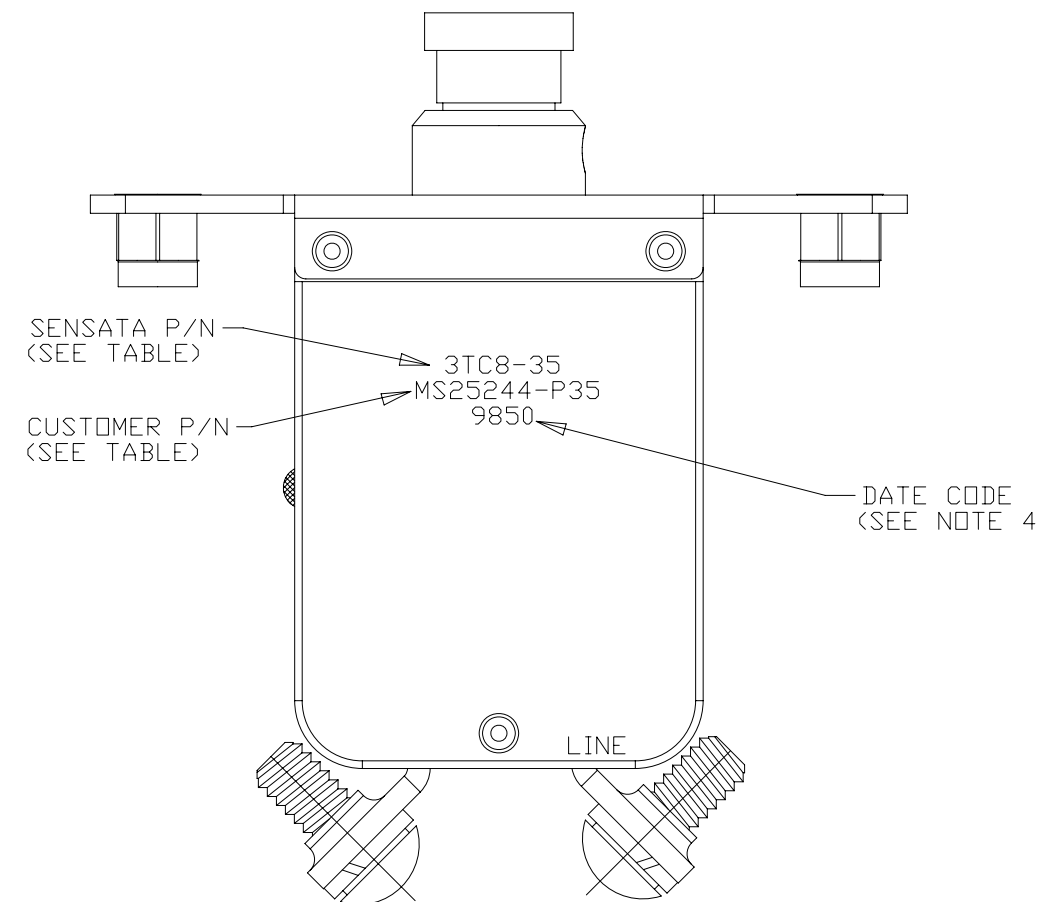
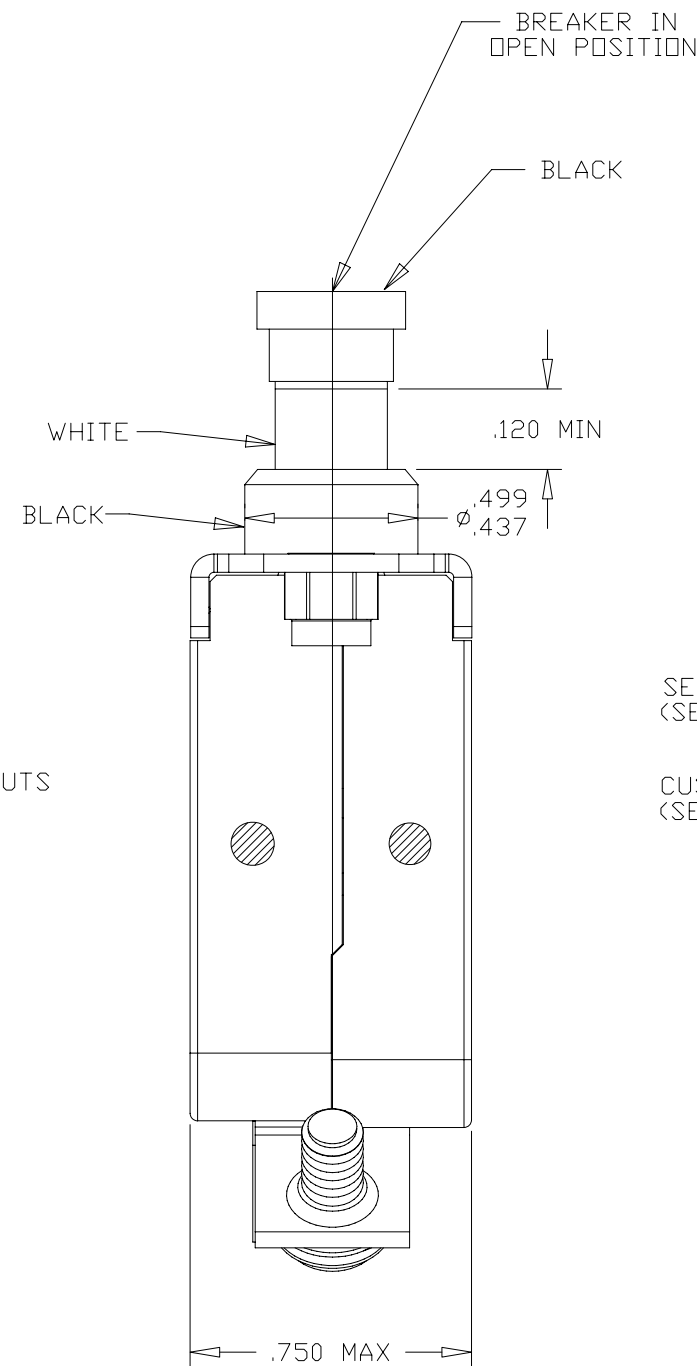
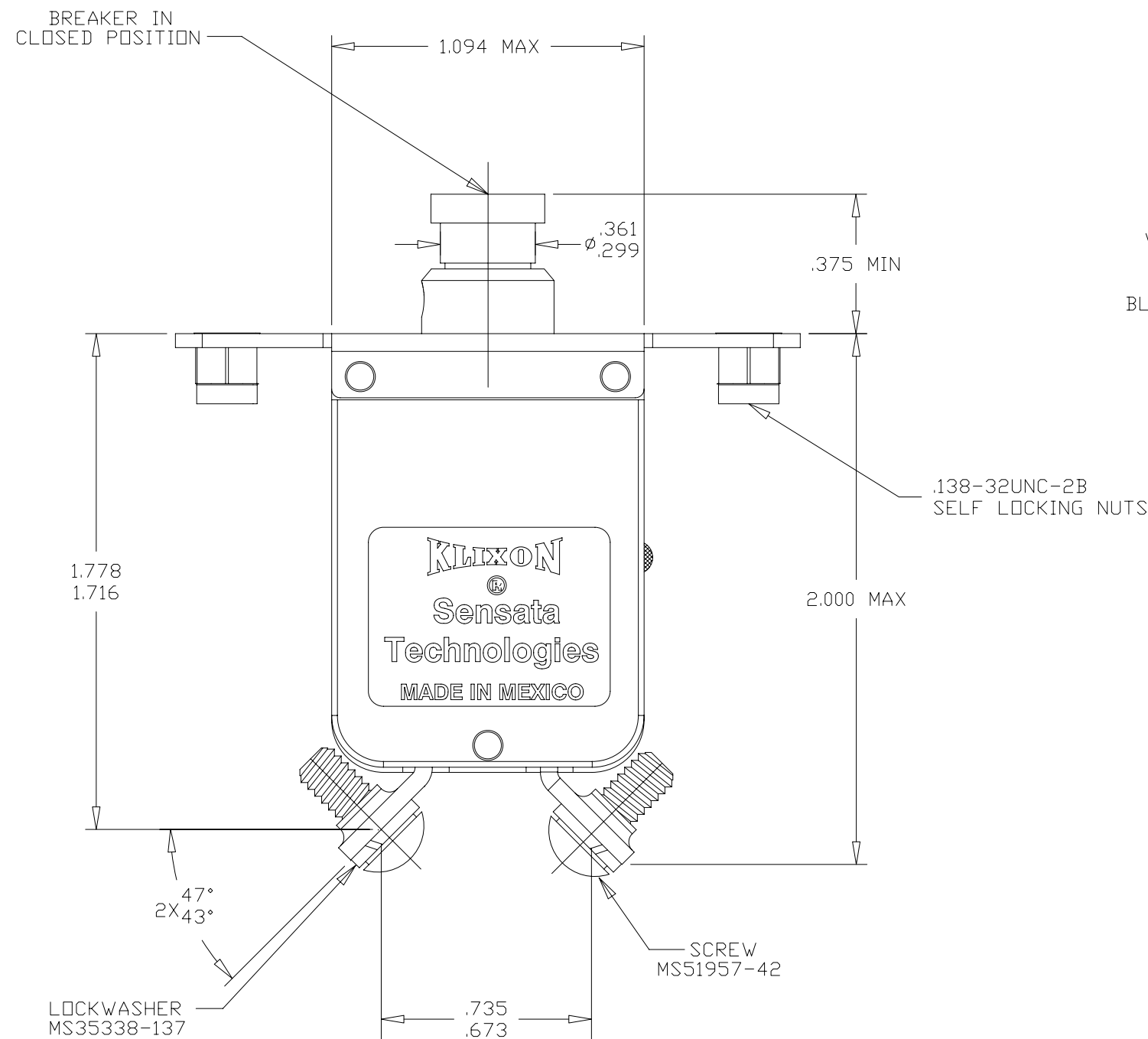
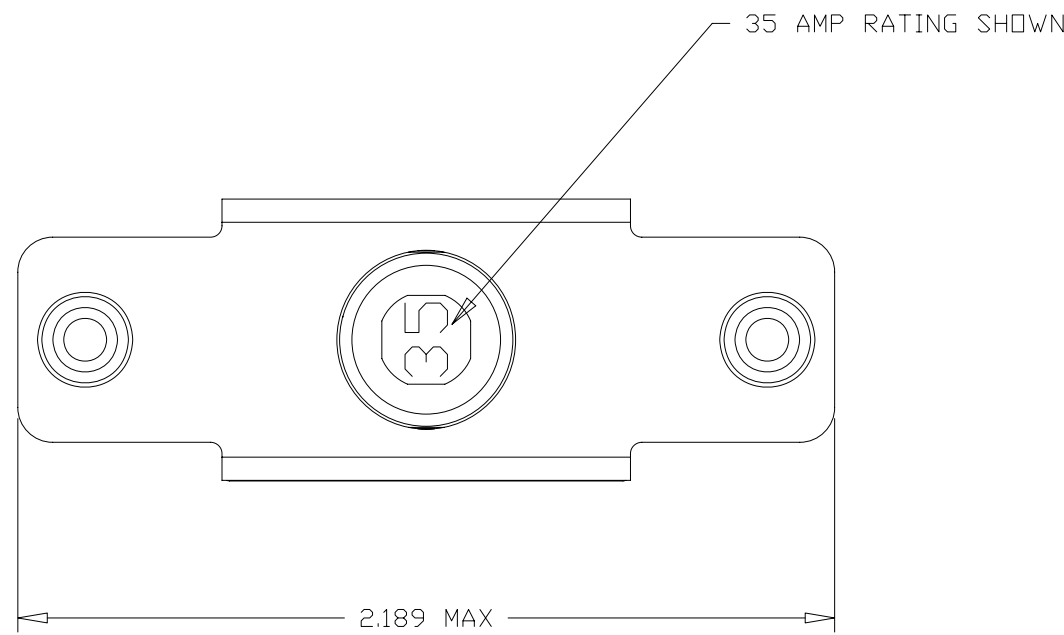
OPERATING ALTITUDE:

65,000 FT. (<20,000m)

WEIGHT/MASS: .1 LBS. MAX.

VOLTAGE DROP:

5 THRU 35 AMP ----- 0.25 VOLTS MAX.



SENSATA P/N	CUSTOMER P/N	AMP RATING
3TC8-5	MS25244-P5	5
3TC8-7 1/2	MS25244-P7-1/2	7 1/2
3TC8-10	MS25244-P10	10
3TC8-15	MS25244-P15	15
3TC8-20	MS25244-P20	20
3TC8-25	MS25244-P25	25
3TC8-30	MS25244-P30	30
3TC8-35	MS25244-P35	35

NOTES:

- EPOXY SURFACES ARE NON-DIMENSIONED. ENVELOPE DRAWING DIMENSIONS DO NOT APPLY TO THESE PROJECTED EPOXY SURFACES.
- TERMINAL AND MOUNTING HARDWARE MAY BE PACKAGED RATHER THAN INSTALLED.
- COUNTRY OF ORIGIN IS SHOWN FOR ILLUSTRATION PURPOSES ONLY. COUNTRY OF ORIGIN TO BE IDENTIFIED AS REQUIRED.
- DATE CODE PER 10588-285.
- ALL MARKINGS TO BE MADE IN APPROXIMATE POSITIONS SHOWN, WITH BLACK INK PER 12506-70; 3/32 INCH HIGH CHARACTERS.

FOR REFERENCE ONLY, CHECK LATEST REVISION BEFORE USE. PARTS MADE TO THIS PRINT MUST CONFORM TO E9898 REV. E

DRAWN P. FEDDEMA DATE 08-AUG-2008

ENGINEER E. QUINTEROS DATE 08-AUG-2008

APPROVED A. NAULT DATE 08-AUG-2008

APPROVED P. BERG DATE 08-AUG-2008

SENSATA TECHNOLOGIES PROPRIETARY AND CONFIDENTIAL. NEITHER THIS PRINT NOR THE INFORMATION CONTAINED HEREON IS TO BE USED AGAINST THE INTERESTS OF SENSATA TECHNOLOGIES OR AGAINST THE INTERESTS OF ANY OF ITS AFFILIATED COMPANIES OR WHOLLY OWNED SUBSIDIARIES.

UNLESS OTHERWISE SPECIFIED DIMENSIONS ARE IN INCHES TOLERANCES DECIMALS ANGLES

UNLESS OTHERWISE NOTED ALL DECIMALS +/- .015

DO NOT SCALE DRAWING

THIRD ANGLE PROJECTION

529 PLEASANT STREET
P.O. BOX 2964
ATTLEBORO, MA 02703

Sensata Technologies

TITLE: 3TC8
PUSH-PULL TRIP-FREE CIRCUIT BREAKER ENVELOPE DRAWING

SIZE: C DWG NO.: 3TC8 REV.: A

SCALE: 1:1 AUTOCAD SHEET 1 OF 1

DEVICE: 3TC PROJECT: 1

4

3

2

1