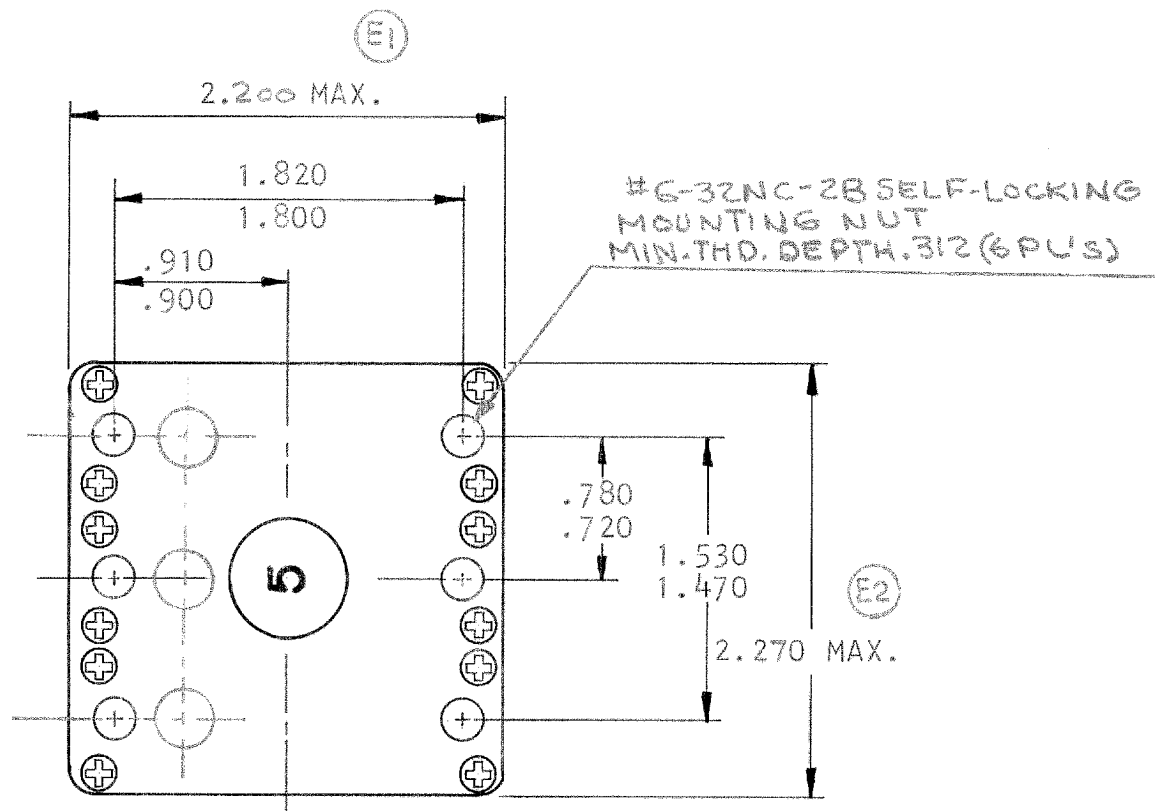


Property of
Sensata Technologies

E	(1) WAS 2189 (2) WAS 2189 (3) WAS 2189 CR151793 D.R.	3-15-90	B.P.
F	DEL. COLOR NOTE SEE D.C.N. CRM08629 D.R.	A-8-92	J.P.
G	SEE DCN CRM24530 RJM	10-30-95	K.C.

REVISIONS			
SYM	DESCRIPTION	DATE	APPROVAL
-	1st Issue CR17602	R.L. 6-23-66	MIL 62746
A	SEE C.N. C.R.20022	4-11-86	11-20-66
B	ADDED CUTOUTS IN TERM. BARR. CE 21002	4/13/67	J.H.W. 4-14-67
C	1- PART NO. WAS 6752-309-2 2- PART NO. WAS 6752-309-7 CR89733 J.B.	1-20-78	
D	OPERATING FORCE OF OPENING WAS 6-14 LBS. (D) CR78133 L.L.	9-30-79	



CALIBRATION:
SINGLE PHASE LOAD:
AMBIENT TEMP. 200% TIME* 400% TIME 1000% TIME
SEC. SEC. SEC.

-65°F	15 - 65	2.3 - 10	.33 - 1.4
77°F	12 - 65	2.3 - 10	.33 - 1.4
160°F	12 - 65	2.3 - 10	.33 - 1.4

THREE PHASE BALANCED LOAD:

-65°F	15 - 180	2.3 - 11	.33 - 1.4
77°F	12 - 65	2.3 - 10	.33 - 1.4
160°F	12 - 65	2.3 - 10	.30 - 1.4

ULTIMATE TRIP:

-65°F	HOLD	TRIP
77°F	105%	170%
160°F	105%	140%
	90%	140%

-65°F	LOAD IN ONE PHASE	LOAD IN OTHER TWO PHASES	
77°F	170%	80%	MUST TRIP
160°F	145%	100%	MUST TRIP
	160%	0%	MUST TRIP

RUPTURE:
ALL RATINGS: 120 VAC 400 CYCLES 6000 AMPS
205 VAC 400 CYCLES 4200 AMPS

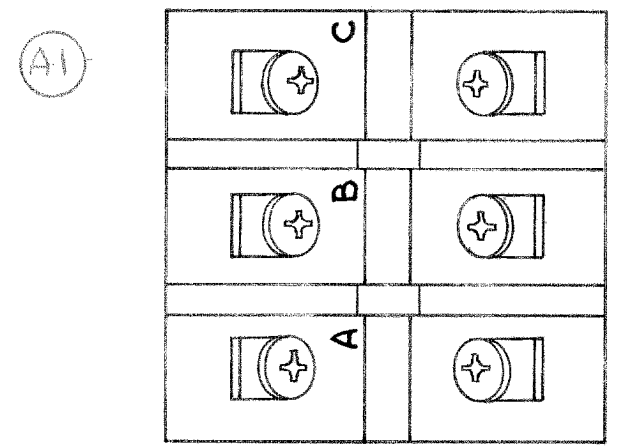
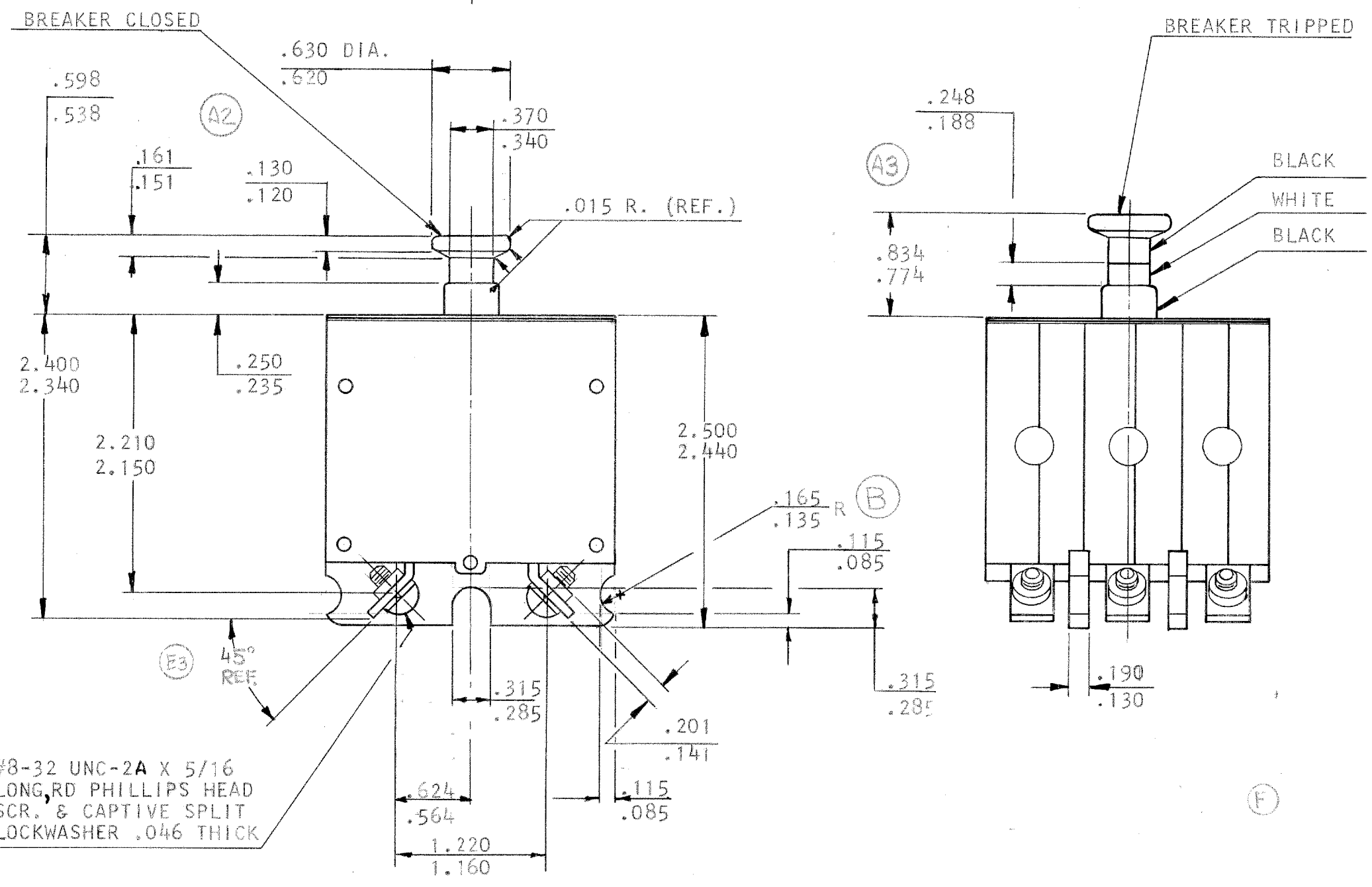
ENDURANCE: 120 VAC, 400 C.P.S.
MECHANICAL 10,000 CYCLES
RESISTIVE LOAD 5,000 CYCLES
INDUCTIVE LOAD 5,000 CYCLES
TOTAL 20,000 CYCLES

MECHANICAL SHOCK PER MIL-C-5809
SAND & DUST PER MIL-E-5272
CORROSION PER MIL-C-5809
HUMIDITY PER MIL-C-5809
EXPLOSION PROOF PER MIL-E-5272
STRENGTH OF TERMINALS-----25 LBS. TENSILE LOAD, 20 IN-LB TORQUE LOAD
FOR OTHER CHARACTERISTICS REFER TO SPECIFICATION 12552-2
THIS DRAWING TAKES PRECEDENCE OVER 12552-2

OPERATING FORCE: OPENING 6 - 14 LBS. (D)
CLOSING 14 - 23 LBS.

*APPLIES TO ALL RATINGS EXCEPT 2.5 AMP. SINGLE PHASE & THREE PHASE
200% TIME FOR 2.5 AMP. RATING AT -65°F TO 160°F IS 10 TO 65 SEC.

NOTE:
WHEN THE BREAKER BUTTON IS RESET AFTER TRIPPING ON AN OVERLOAD,
CONTINUITY WILL BE ESTABLISHED ON ALL THREE PHASES. IT WILL
NOT BE POSSIBLE TO MAINTAIN THE BREAKER IN A SINGLE PHASE OR
TWO PHASE CONDITION.



PART NO.	AMP RATING
6752-309-2 1/2	2.5
6752-309-5	5
6752-309-7 1/2	7.5
6752-309-10	10
6752-309-15	15
6752-309-20	20
6752-309-25	25
6752-309-35	35
6752-309-50	50

UNLESS OTHERWISE SPECIFIED			BY	DATE	6752-309 TYPE THREE PHASE PUSH PULL - TRIP FREE CIRCUIT BREAKER ENVELOPE DRAWING	TEXAS INSTRUMENTS INCORPORATED METALS & CONTROLS DIVISION ATLEBORO, MASSACHUSETTS, U.S.A. SPENCER KLIXON PRODUCTS
DIMENSIONS ARE IN INCHES TOLERANCES ON FRACTIONS DECIMALS ANGLES			R. Lee	6-23-66		
			APP.			DWG. SIZE
			M. Lawson	6-27-66		6752-309
					SCALE FULL	WT. .65 LB.