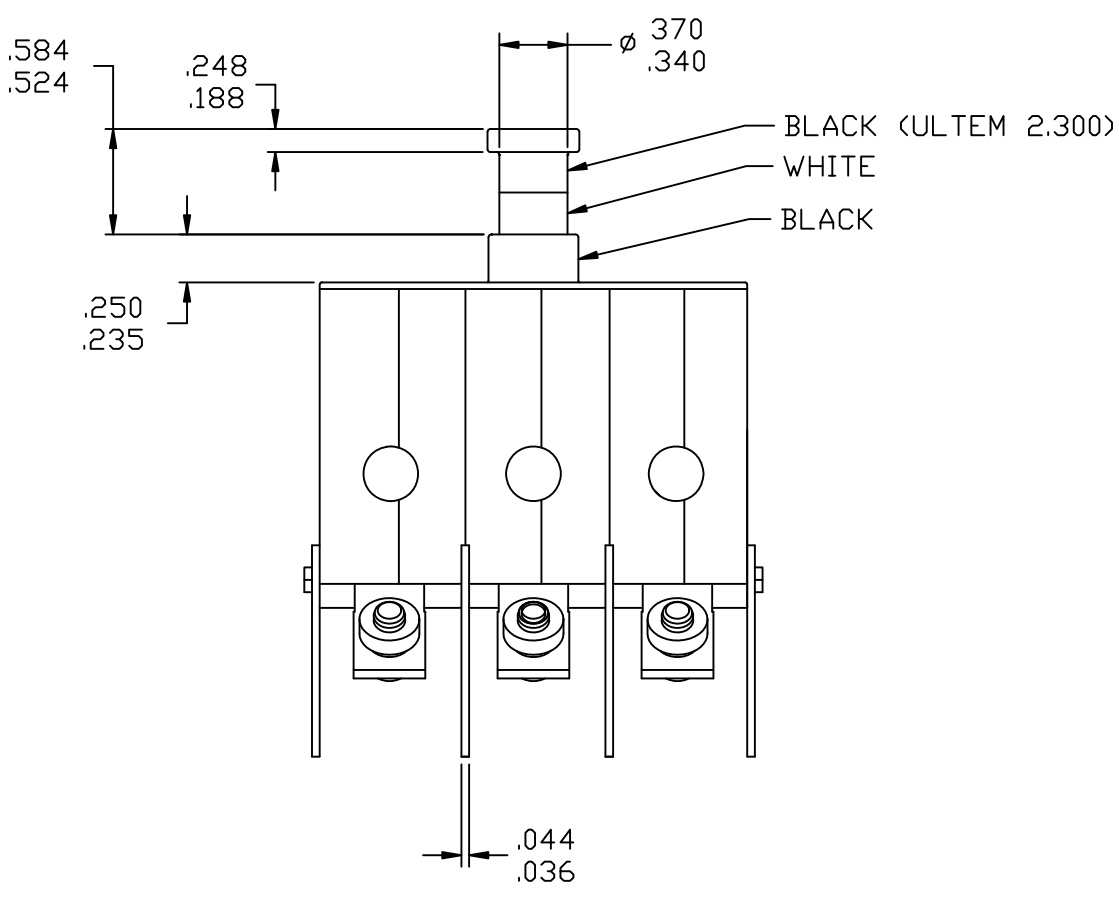
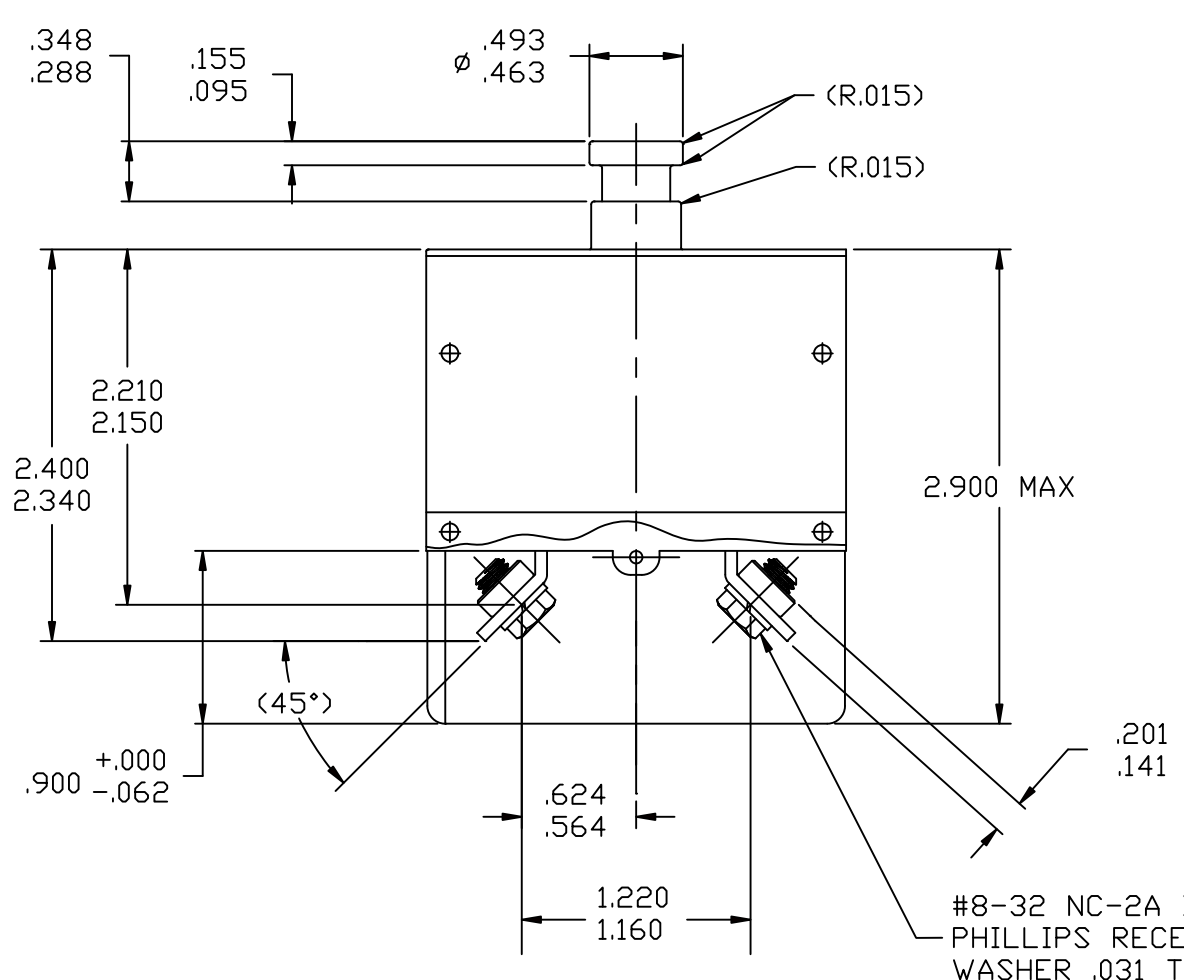
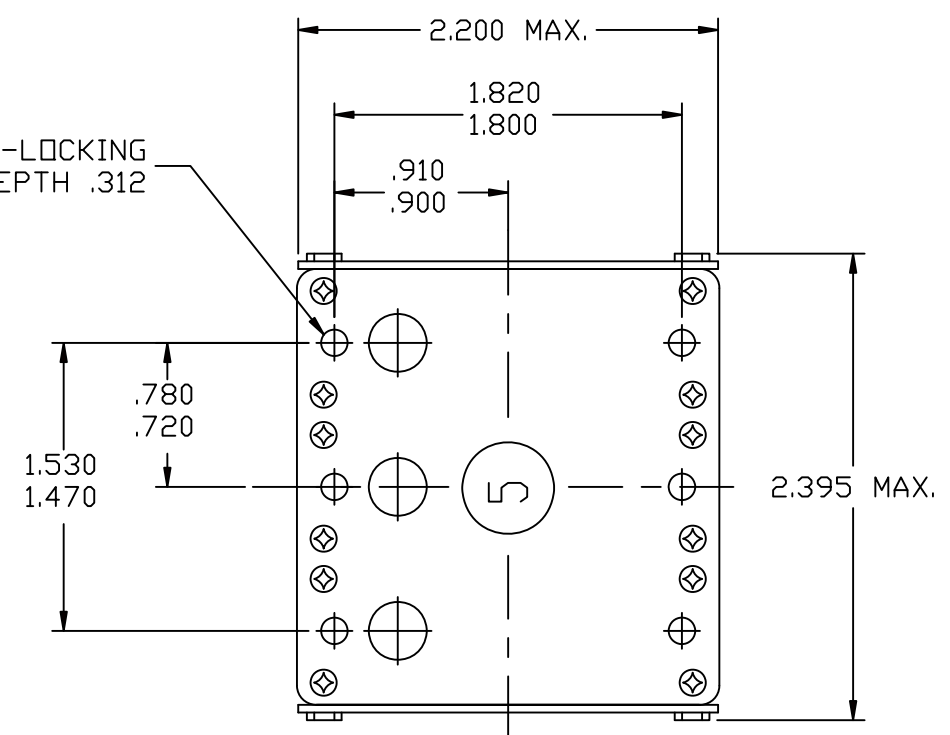


ZONE	REV.	REVISION DESCRIPTION	ECN NO.	DATE
B2	K	RE-DOCUMENTED IN AUTOCAD; MECHANICAL SHOCK PER AS58091 WAS MECHANICAL SHOCK PER MIL-C-5809C; SAND & DUST PER MIL-STD-810 WAS SAND & DUST MIL-E-5272B; CORROSION PER AS58091 WAS CORROSION PER MIL-C-5809C; HUMITY PER AS58091 WAS HUMITY PER MIL-C-5809C; EXPLOSION PROOF PER MIL-STD-810 WAS EXPLOSION PROOF PER MIL-E-5272B; GML	ECN0055551	22-OCT-2009

Property of  
Sensata Technologies

6X #6-32 NC-2B SELF-LOCKING  
MOUNTING NUT MIN THD. DEPTH .312



#8-32 NC-2A X 5/16 LONG, HEX HEAD  
PHILLIPS RECESS SCREW & CAPTIVE SPLIT  
WASHER .031 THICK.

CALIBRATION

SINGLE PHASE LOAD:

AMBIENT TEMP.	200% TIME* SEC.	400% TIME SEC.	1000% TIME SEC.
-65°F	15 - 65	2.3 - 10	.33 - 1.4
77°F	12 - 65	2.3 - 10	.33 - 1.4
160°F	12 - 65	2.3 - 10	.33 - 1.4

THREE PHASE BALANCED LOAD:

AMBIENT TEMP.	200% TIME* SEC.	400% TIME SEC.	1000% TIME SEC.
-65°F	15 - 180	2.3 - 11	.33 - 1.4
77°F	12 - 65	2.3 - 10	.33 - 1.4
160°F	12 - 65	2.3 - 10	.30 - 1.4

ULTIMATE TRIP:

AMBIENT TEMP.	HOLD	TRIP
-65°F	105%	170%
77°F	105%	140%
160°F	90%	140%

AMBIENT TEMP.	LOAD IN ONE PHASE	LOAD IN OTHER TWO PHASES	REMARKS
-65°F	170%	80%	MUST TRIP
77°F	145%	100%	MUST TRIP
77°F	160%	0%	MUST TRIP

RUPTURE

VOLTS	CYCLES	AMPS
120 VAC	400 CYCLE	6,000 AMPS
205 VAC	400 CYCLE	4,200 AMPS

ENDURANCE:

TYPE	CYCLES
MECHANICAL	10,000 CYCLES
RESISTIVE LOAD	5,000 CYCLES
INDUCTIVE LOAD	5,000 CYCLES
TOTAL	20,000 CYCLES

MECHANICAL SHOCK PER AS58091  
SAND & DUST PER MIL-STD-810  
CORROSION PER AS58091  
HUMITY PER AS58091  
EXPLOSION PROOF PER MIL-STD-810

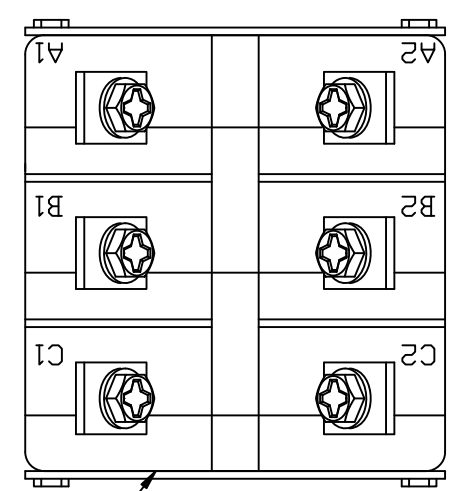
FOR OTHER CHARACTERISTICS REFER TO SPECIFICATION 12552-2  
THIS DRAWING TAKES PRECEDENCE OVER 12552-2

OPERATING FORCE: OPENING 6-14 LBS.  
CLOSING 14-23 LBS.

\* APPLIES TO ALL RATING EXCEPT 2.5 AMP SINGLE PHASE & THREE PHASE  
200% TIME FOR 2.5 AMP RATING AT -65°F TO 160°F IS 10 TO 65 SEC.

NOTE: WHEN THE BREAKER BUTTON IS RESET AFTER TRIPPING ON AN OVERLOAD,  
CONTINUITY WILL BE ESTABLISHED ON ALL THREE PHASES. IT WILL  
NOT BE POSSIBLE TO MAINTAIN THE BREAKER IN A SINGLE PHASE OR  
TWO PHASE CONDITION.

PART NO. 6752-318-5 SHOWN



LETTERED SIDE  
BOTTOM VIEW SHOWING  
PHASE IDENTIFICATION

6752-318-50	50
6752-318-35	35
6752-318-25	25
6752-318-20	20
6752-318-15	15
6752-318-10	10
6752-318-7 1/2	7.5
6752-318-5	5
6752-318-2 1/2	2.5
PART NO.	AMP RATING

FOR REFERENCE ONLY, CHECK LATEST REVISION BEFORE USE. PARTS MADE TO THIS PRINT MUST CONFORM TO E9898 REV. E		529 PLEASANT STREET P.O. BOX 2964 ATTLEBORO, MA 02703	
DRAWN R.G. MANZI DATE 09-DEC-1970 ENGINEER T.B. DATE 10-DEC-1970 APPROVED	SENSATA TECHNOLOGIES PROPRIETARY AND CONFIDENTIAL. NEITHER THIS PRINT NOR THE INFORMATION CONTAINED HEREON IS TO BE USED AGAINST THE INTERESTS OF SENSATA TECHNOLOGIES OR AGAINST THE INTERESTS OF ANY OF ITS AFFILIATED COMPANIES OR WHOLLY OWNED SUBSIDIARIES.	TITLE 6752-318 TYPE 3-PHASE PUSH PULL-TRIP FREE CIRCUIT BREAKER ENVELOPE DRAWING	
DATE APPROVED DATE	UNLESS OTHERWISE SPECIFIED DIMENSIONS ARE IN INCHES TOLERANCES DECIMALS ANGLES	SIZE C	DWG NO. <b>6752-318</b> SCALE 1:1 AUTOCAD SHEET 1 OF 1
DO NOT SCALE DRAWING	THIRD ANGLE PROJECTION	REV. K	