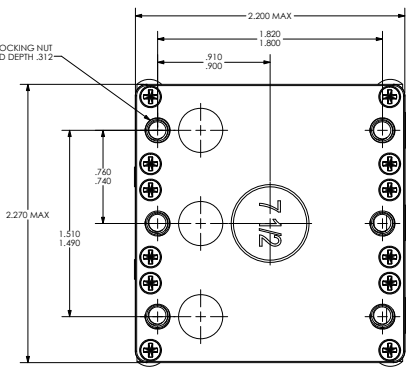


| ZONE | REV. | REVISION DESCRIPTION | ECN NO. | DATE |
|------|------|--------------------------------------|------------|-------------|
| | N | DOCUMENT RECLASSIFIED AS NON-HAR: DP | ECO-232114 | 04-JUN-2018 |

6X 4-32 NC-2B SELF LOCKING NUT
MIN. THREAD DEPTH .312



PART NO. 6752-322-7 1/2 SHOWN

| PART NO. | AMP RATING | CALIBRATION IN SECONDS -65°F TO 200°F | | |
|----------------|------------|---------------------------------------|-----------|----------|
| | | 200% | 400% | 1000% |
| 6752-322-2 1/2 | 2.5 | 10 - 40 | 2.3 - 7.0 | 32 - 1.2 |
| 6752-322-5 | 5 | 11 - 45 | 2.3 - 7.0 | 32 - 1.2 |
| 6752-322-7 1/2 | 7.5 | 12 - 50 | 2.5 - 7.5 | 34 - 1.3 |
| 6752-322-10 | 10 | 14 - 52 | 2.5 - 8.0 | 34 - 1.3 |
| 6752-322-15 | 15 | 15 - 55 | 2.7 - 8.0 | 35 - 1.3 |
| 6752-322-20 | 20 | 16 - 57 | 2.7 - 8.5 | 36 - 1.4 |
| 6752-322-25 | 25 | 17 - 59 | 2.8 - 8.5 | 36 - 1.4 |
| 6752-322-35 | 35 | 18 - 62 | 2.8 - 9.0 | 38 - 1.4 |
| 6752-322-40 | 40 | 18 - 65 | 2.8 - 10 | 38 - 1.4 |
| 6752-322-50 | 50 | 20 - 65 | 2.8 - 10 | 38 - 1.4 |
| 6752-322-60 | 60 | 22 - 65 | 2.8 - 10 | 38 - 1.4 |

ULTIMATE TRIP 3 PHASE BALANCED LOAD

| | HOLD | TRIP |
|-------|------|------|
| -65°F | 105% | 170% |
| 77°F | 105% | 140% |
| 160°F | 90% | 140% |

UNBALANCED LOAD

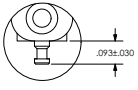
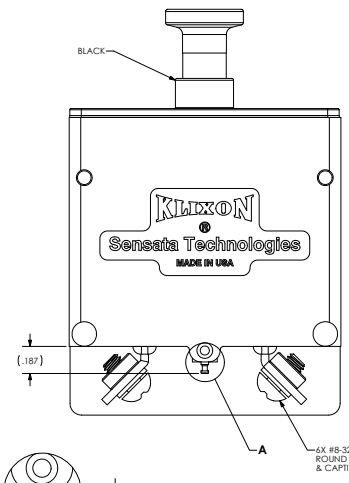
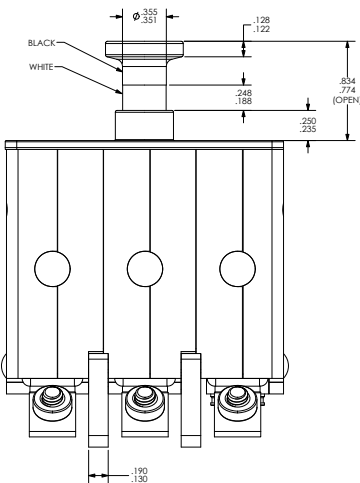
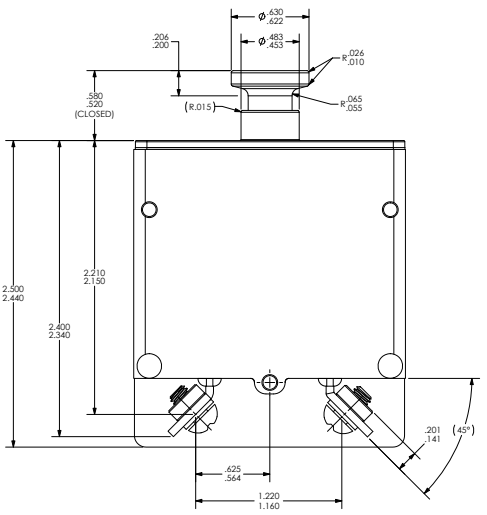
| | LOAD IN ONE PHASE | LOAD IN OTHER TWO PHASES | |
|-------|-------------------|--------------------------|-----------|
| -65°F | 170% | 80% | MUST TRIP |
| 77°F | 160% | 100% | MUST TRIP |

RUPTURE

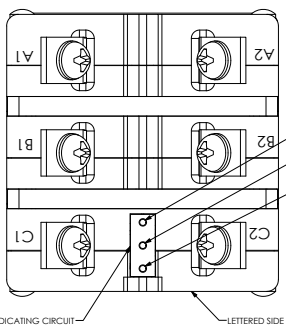
| ALL RATINGS | 120 VAC | 400 CYCLES | 6000 AMPS |
|--------------------------------|---------------|------------|-----------|
| ENDURANCE: 120 VAC, 400 C.P.S. | 205 VAC | 400 CYCLES | 4000 AMPS |
| MECHANICAL | 10,000 CYCLES | | |
| RESISTIVE LOAD | 5,000 CYCLES | | |
| INDUCTIVE | 5,000 CYCLES | | |
| TOTAL | 20,000 CYCLES | | |

MECHANICAL SHOCK PER MIL-C-5809
SAND & DUST PER MIL-E-5272
CORROSION PER MIL-C-5809
HUMIDITY PER MIL-C-5809
EXPLOSION PROOF PER MIL-E-5272
FOR OTHER CHARACTERISTICS REFER TO SPECIFICATION 12552-2
THIS DRAWING TAKES PRECEDENCE OVER 12552-2.
OPERATING FORCE: OPENING 4 - 14 LBS
CLOSING 14 - 23 LBS

NOTE: WHEN THE BREAKER BUTTON IS RESET AFTER TRIPPING ON AN OVERLOAD, CONTINUITY WILL BE ESTABLISHED ON ALL 3 PHASES. IT WILL NOT BE POSSIBLE TO MAINTAIN THE BREAKER IN A SINGLE PHASE OR TWO PHASE CONDITION.



DETAIL A
SCALE 4 : 1



| | | |
|---|---|--|
| FOR REFERENCE ONLY, CHECK LATEST REVISION BEFORE USE. PARTS MADE TO THIS PRINT MUST CONFORM TO E9898 REV. E. | | 529 PLEASANT STREET P.O. BOX 2964 ATLESBORO, MA 02703 |
| DRAWN: R.MANZI DATE: 19-SEP-1974 ENGINEER: T.BASSARD DATE: 19-SEP-1974 APPROVED: | SENSATA TECHNOLOGIES PROPRIETARY AND CONFIDENTIAL. NEITHER THE PRINT NOR THE INFORMATION CONTAINED HEREIN IS TO BE USED, REPRODUCED, COPIED, OR TRANSMITTED IN ANY FORM OR BY ANY MEANS, ELECTRONIC OR MECHANICAL, INCLUDING PHOTOCOPYING, RECORDING, OR BY ANY INFORMATION STORAGE AND RETRIEVAL SYSTEM, WITHOUT THE WRITTEN PERMISSION OF SENSATA TECHNOLOGIES. | |
| INTERPRET DIMENSIONING AND TOLERANCING PER ASME Y14.5-2009, UNLESS OTHERWISE SPECIFIED. DIMENSIONS ARE IN INCHES. TOLERANCES: DECIMALS ANGLES | | TITLE: 6752-322 TYPE THREE PHASE PUSH PULL - TRIP FREE CIRCUIT BREAKER ENVELOPE DRAWING SCALE: 2:1 DWG NO.: 6752-322 SHEET 1 OF 1 |