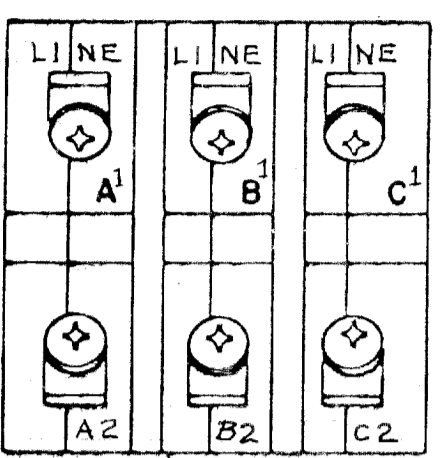
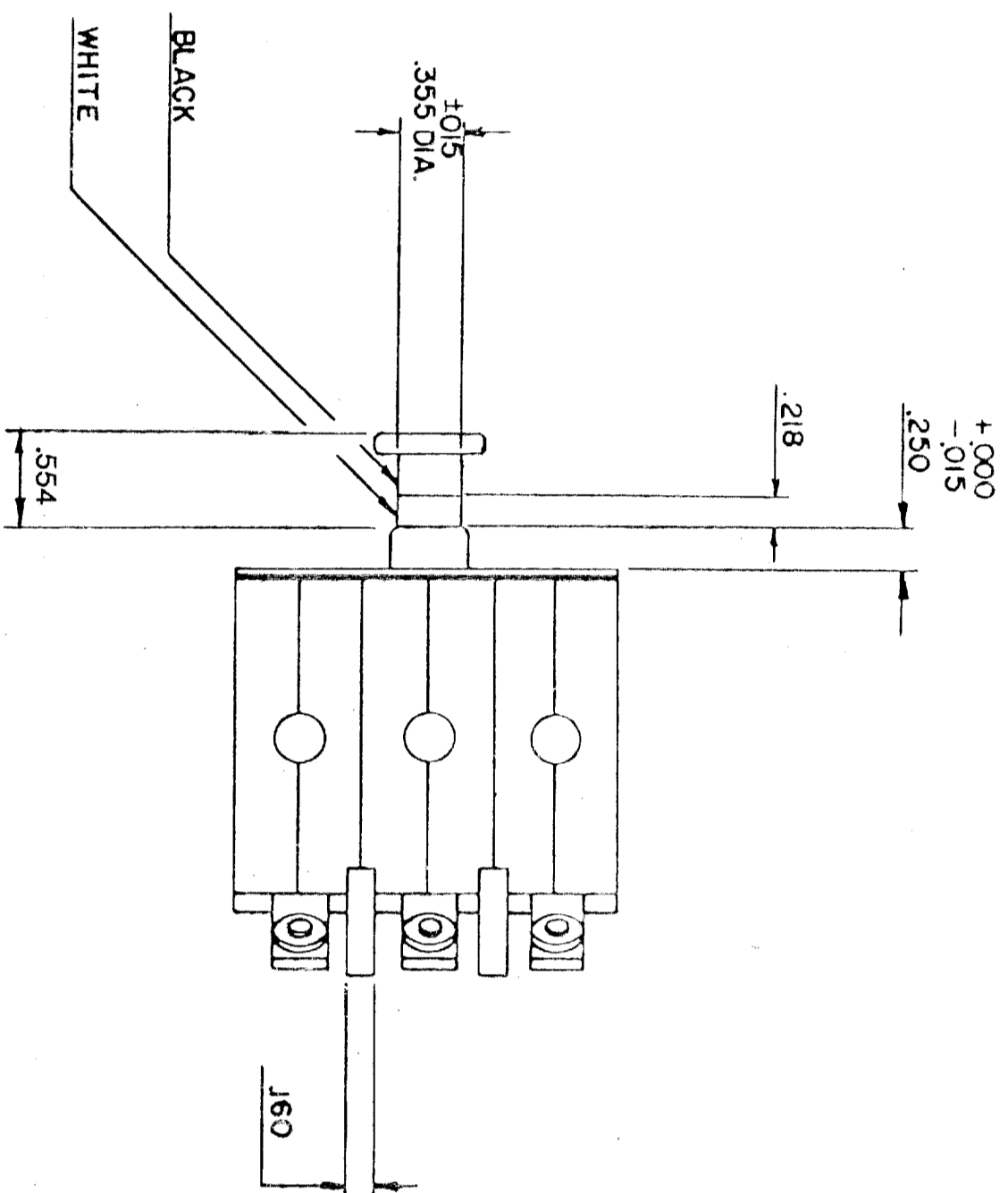
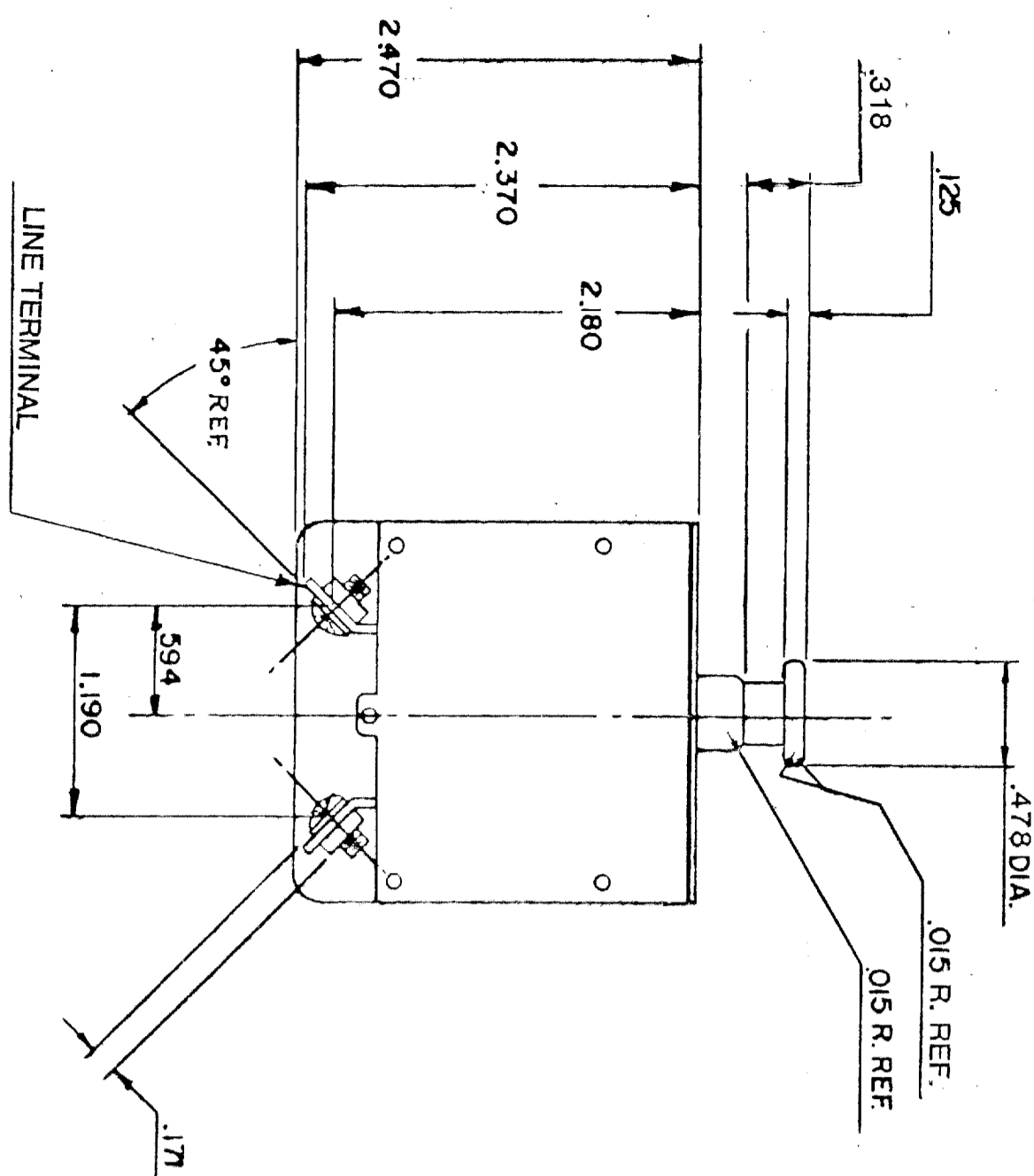
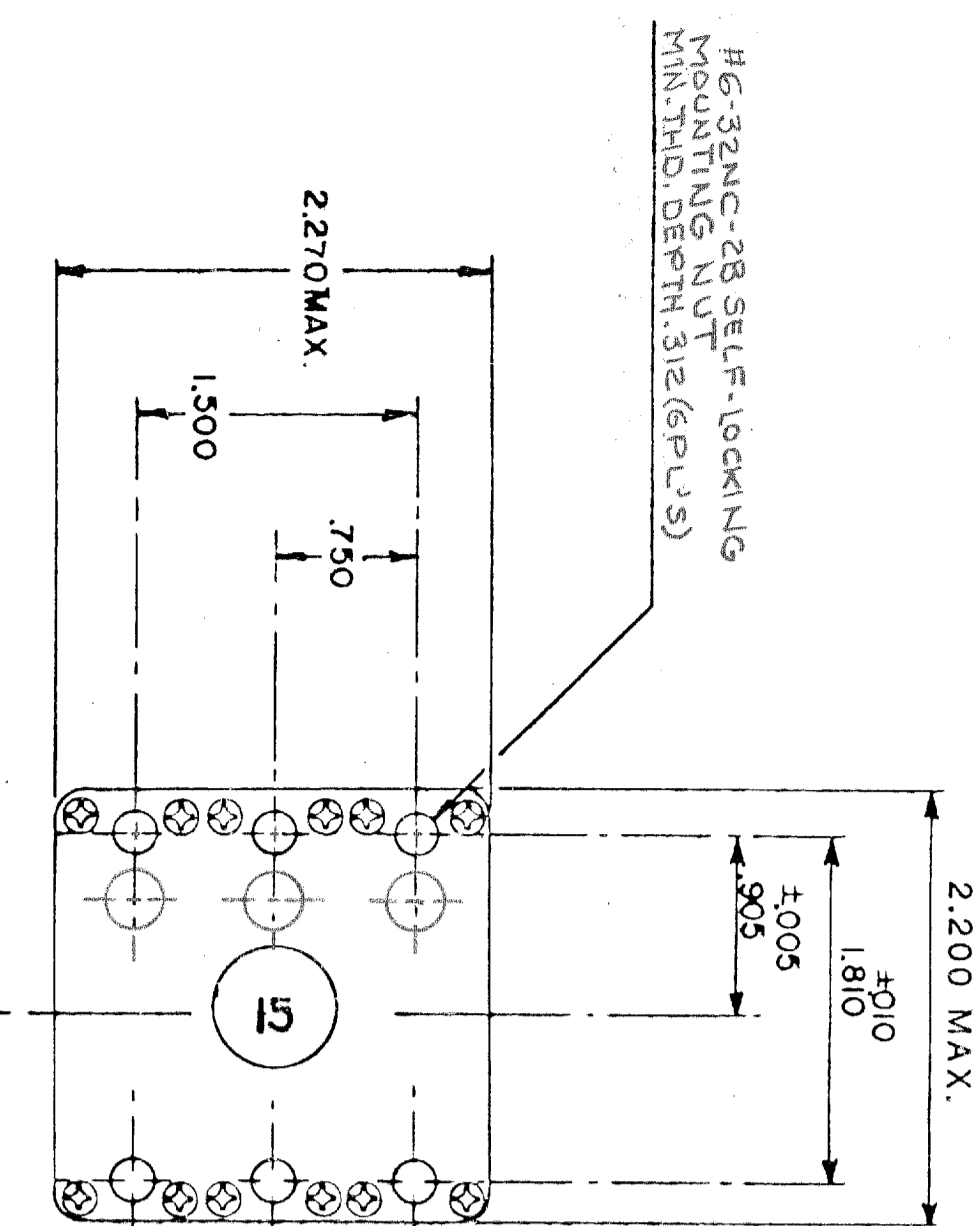
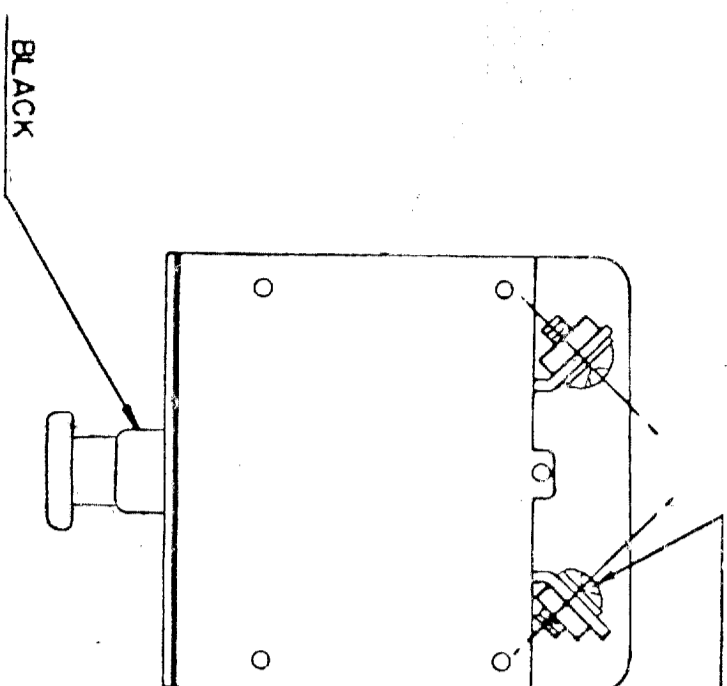


#8-32 NC-2A X 5/16 LONG ROUND PHILLIPS HEAD SCREW
AND CAPTIVE SPLIT LOCKWASHER .046 THICK



PART NO. 6752-330-15 SHCWN

PERFORMANCE CHARACTERISTICS

CALIBRATION (ALL RATINGS)

| SINGLE PHASE LOAD AND BALANCED THREE PHASE LOAD: | | | |
|--|---------------------|---------------------|----------------------|
| AMBIENT TEMP (SECONDS) | 200% TIME (SECONDS) | 400% TIME (SECONDS) | 1000% TIME (SECONDS) |
| 77°F | 10 - 70 | 2.3 - 10 | .33 - 1.4 |

UNBALANCED LOAD

| UNBALANCED LOAD | | | |
|-----------------|------------------------|---------------------|--|
| LOAD IN 1 PHASE | LOAD IN OTHER 2 PHASES | MUST TRIP IN 1 HOUR | |
| 77°F | 145% | 100% | |

ULTIMATE TRIP:

| BALANCED LOAD | | | |
|---------------|------|------|--|
| TEMP | HOLD | TRIP | |
| -65°F | 105% | 170% | |
| 77°F | 105% | 140% | |
| 160°F | 90% | 140% | |

ENDURANCE:

5000 CYCLES MECHANICAL
5000 CYCLES RESISTIVE LOAD, 120 VAC, 400 CYCLES
5000 CYCLES INDUCTIVE LOAD, 120 VAC, 400 CYCLES

RUPTURE:

2500 AMPS ADJUSTED CIRCUIT, 120 VAC SINGLE PHASE, 400 CYCLES
1500 AMPS ADJUSTED CIRCUIT, 120 VAC THREE PHASE, 400 CYCLES

OPERATING FORCES:

PULLOUT 6 - 14 LBS
RESET 14 - 23 LBS

ACCELERATION: 10G FOR 1 MINUTE

SHOCK, CORROSION AND HUMIDITY PER MIL-C-5809.

ALTITUDE: 60,000 FEET MAXIMUM

WEIGHT: .65 LBS MAXIMUM

| RATING | MAX VOLTAGE DROP (VOLTS) |
|--------|--------------------------|
| 2 1/2 | 0.6 |
| 5 | 0.4 |
| 7 1/2 | 0.3 |
| 10 | 0.25 |
| 15 | 0.25 |
| 20 | 0.25 |
| 25 | 0.25 |
| 30 | 0.25 |
| 35 | 0.25 |
| 40 | 0.25 |
| 45 | 0.25 |
| 50 | 0.25 |
| 55 | 0.25 |
| 60 | 0.25 |
| 65 | 0.25 |
| 70 | 0.25 |
| 75 | 0.25 |
| 80 | 0.25 |
| 85 | 0.25 |
| 90 | 0.25 |
| 95 | 0.25 |
| 100 | 0.25 |

THIS DEVICE IS A REPLACEMENT FOR THE 6760-1 AND 6760-4.

| ZONE | TR | DATE | DESCRIPTION | PROJ # | DATE | APPROVED |
|------|-----|---------|--|--------|---------|----------|
| A | 1st | 5/20/91 | ISSUE | 6755 | 5/20/91 | D.M. |
| B | 2nd | 5/20/91 | GR 1107642 | 6755 | 5/20/91 | D.M. |
| C | 3rd | 5/20/91 | ADDED 30 AMP DEVICE WITH 0.25 VOLTAGE DROP | 6755 | 5/20/91 | D.M. |
| D | 4th | 5/20/91 | SEE DATA SHEET FOR RATING | 6755 | 5/20/91 | D.M. |
| E | 5th | 5/20/91 | ADDED 60 AMP RATING | 6755 | 5/20/91 | D.M. |

| | | | | | | | | | |
|---|--|-------------------------|-----------------------|--------------------------------|--|---|--|---|--|
| UNLESS OTHERWISE SPECIFIED DIMENSIONS ARE IN INCHES | | BY: <i>R.L. MULHEEN</i> | DATE: 5/20/91 | TEXAS INSTRUMENTS | | DATE: 5/20/91 | | APPROVED: <i>D.M.</i> | |
| TOLERANCE ON FRACTIONS DECIMALS ANGLES ±.030 | | CH: | ENG: <i>DAN MORIN</i> | ATTLEBORO, MASSACHUSETTS 01915 | | TITLE: 6752-330 TYPE THREE PHASE PUSH-PULL CIRCUIT BREAKER ENVELOPE DRAWING | | SIZE: D CODE IDENT NO. 82647 SCALE: SHEET | |
| MATERIAL | | APPROVED: <i>D.M.</i> | | DATE: 5-16-91 | | TITLE: 6752-330 TYPE THREE PHASE PUSH-PULL CIRCUIT BREAKER ENVELOPE DRAWING | | SIZE: D CODE IDENT NO. 82647 SCALE: SHEET | |

