

5

4

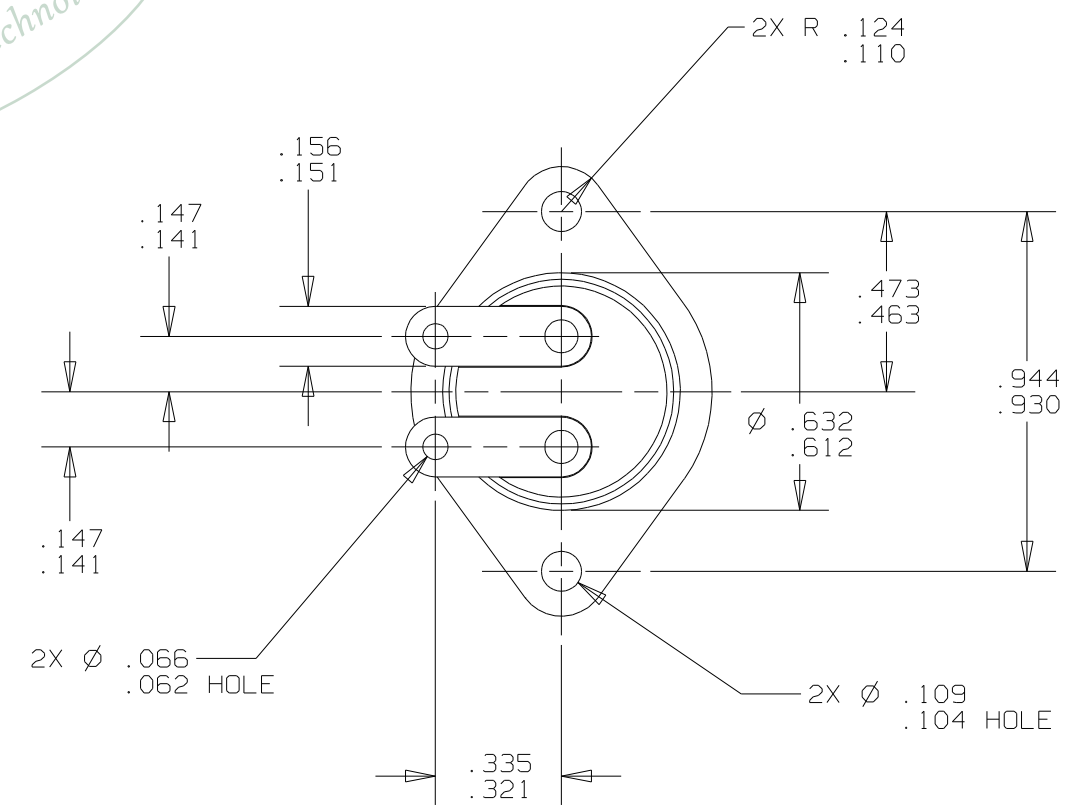
3

2

1

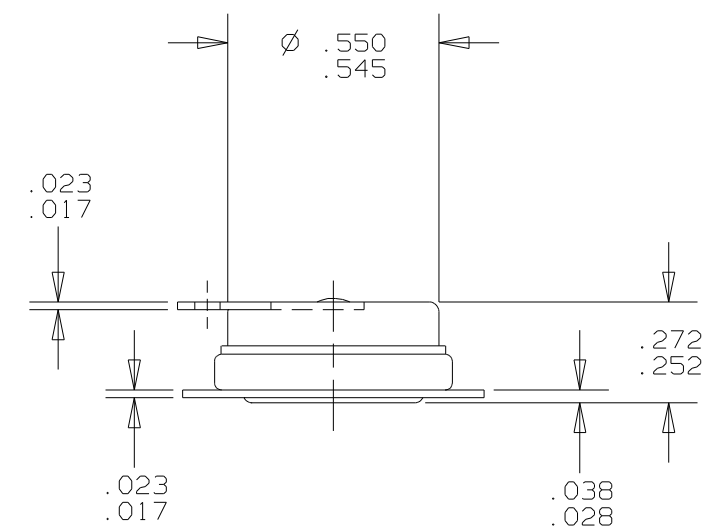
Property of
Sensata Technologies

REVISIONS					
ZONE	LTR	DESCRIPTION	PROJ. # 365	DATE	APPROVED
	A	1ST ISSUE	CRM35424, CFF	6-18-97	R.M.





PART NO. 6786-2-*

NOTE *:
FOR ORDERING PRODUCTION QUANTITIES TWO DASH NUMBERS ARE NECESSARY. THE SECOND DASH NO. WILL BE ASSIGNED WHEN OPERATING CHARACTERISTICS AND ALL OTHER DESIGN DETAILS ARE ESTABLISHED.



SUPERSEDES DWG. 6786-2 1ST ISSUE DATED 8-28-57

THIS IS A CAD DRAWING. THE GEOMETRY IN THE ASSOCIATED CAD COMPUTER FILE IS DIMENSIONALLY ACCURATE. WHEN DRAWING IS BEING REVISED, THE GEOMETRY MUST BE UPDATED IN ALL VIEWS AND ON ALL SHEETS.

										Q4	P17
UNLESS OTHERWISE SPECIFIED DIMENSIONS ARE IN INCHES		DRAWN CHAS. FLEURANT		DATE 6-18-97		 TEXAS INSTRUMENTS ATTELBORO, MASSACHUSETTS 02703			 KLIXON CONTROL PRODUCTS DIVISION		
TOLERANCES ON FRACTIONS DECIMALS ANGLES		ENGINEER R. MULLEN		DATE 6-18-97		TITLE 6786-2-* TYPE S.P.S.T. AUTO RESET THERMOSTAT					
MATERIAL		APPROVED D.R. PETRIE		DATE 6-18-97		SIZE B		CODE IDENT NO. 82647		6786-2	
		APPROVED G. FIELD		DATE 6-18-97							
SIGNATURES ON FILE. REFER TO ELECTRONIC CHANGE NOTICE.											