

5

4

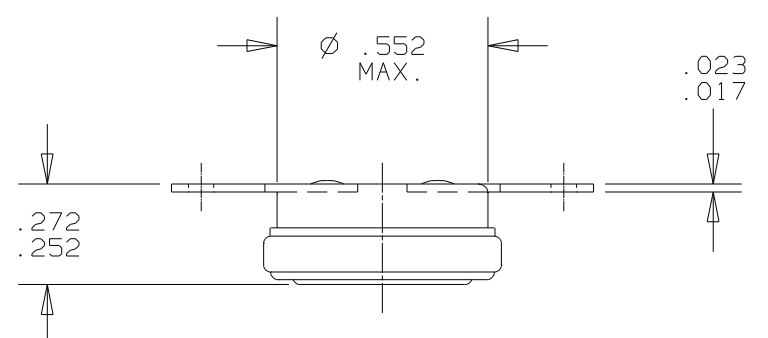
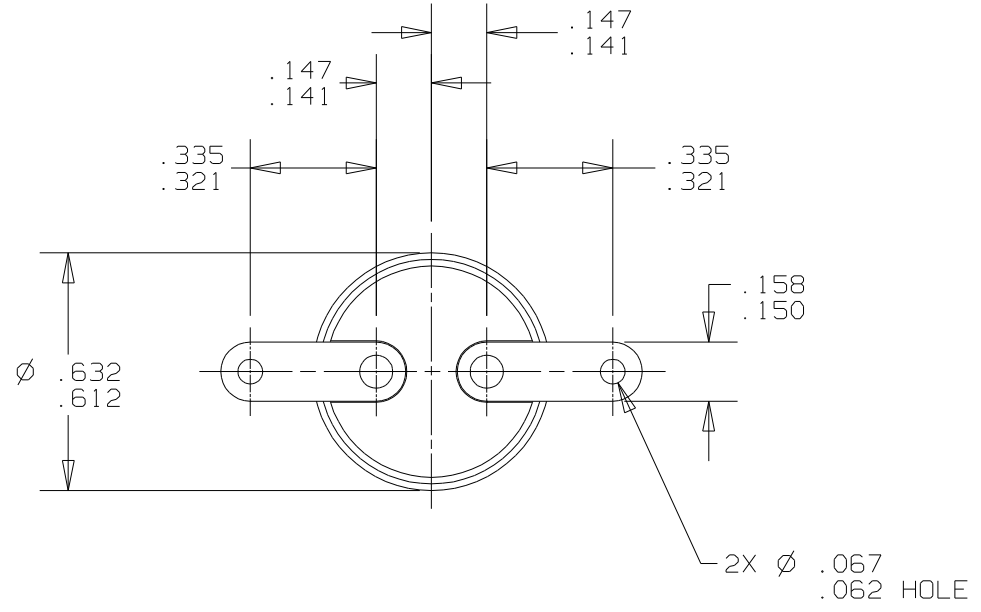
3

2



1

Property of
Sensata Technologies

| REVISIONS | | | | | |
|-----------|-----|-------------|-----------------|--------|----------|
| ZONE | LTR | DESCRIPTION | PROJ. # 365 | DATE | APPROVED |
| | A | 1ST ISSUE | ECN0002708 J.G. | 3/9/01 | S.M. |



THIS IS A CAD DRAWING. THE GEOMETRY IN THE ASSOCIATED CAD COMPUTER FILE IS DIMENSIONALLY ACCURATE. WHEN DRAWING IS BEING REVISED, THE GEOMETRY MUST BE UPDATED IN ALL VIEWS AND ON ALL SHEETS.

| | | | | |
|--|-------------------------|----------------|--|---|
| UNLESS OTHERWISE SPECIFIED DIMENSIONS ARE IN INCHES | DRAWN JOSE GONZALEZ | DATE 3/9/01 |  TEXAS INSTRUMENTS ATTLEBORO, MASSACHUSETTS 02703 |  KLIXON CONTROL PRODUCTS DIVISION |
| TOLERANCES ON FRACTIONS DECIMALS ANGLES | ENGINEER S. MARQUIS | 3/9/01 | | |
| MATERIAL | APPROVED D.R. PETRIE | 3/9/01 | TITLE THERMOSTAT S.P.S.T. AUTO RESET SEALED ENVELOPE DRAWING | |
| | APPROVED P. BERG | 3/9/01 | | |
| SIGNATURES ON FILE. REFER TO ELECTRONIC CHANGE NOTICE. | | | SIZE B | CODE IDENT NO. 82647 |
| | | | 6786-3 | |

D

D

C

C

B

B

A

A