

Property of  
Sensata Technologies

| REVISIONS |     |                            |                |          |          |
|-----------|-----|----------------------------|----------------|----------|----------|
| ZONE      | LTR | DESCRIPTION                | 1112           | DATE     | APPROVED |
|           | U   | MODIFIED PRINT PER MARK-UP | ECN0025546 GML | 12-21-05 | D.M.     |

PERFORMANCE CHARACTERISTICS

DETAIL PERFORMANCE PER MIL-C-5809

|                  |       |                                     |
|------------------|-------|-------------------------------------|
| OVERLOAD CYCLING | ----- | 100 CYCLES AT 200% RATING           |
| MECHANICAL SHOCK | ----- | 50 G'S                              |
| ACCELERATION     | ----- | 10 G'S                              |
| SAND AND DUST    | ----- | 12 HOURS                            |
| CORROSION        | ----- | SALT SPRAY 50 HOURS                 |
| HUMIDITY         | ----- | 10 DAYS                             |
| EXPLOSION PROOF  | ----- | WHILE INTERRUPTING RUPTURE CURRENTS |

|            |            |                  |             |
|------------|------------|------------------|-------------|
| ENDURANCE: | 120 VAC    | 400 HZ INDUCTIVE | 2500 CYCLES |
|            | MECHANICAL | 400 HZ RESISTIVE | 5000 CYCLES |
|            |            | NO LOAD          | 5000 CYCLES |

|                                      |                   |                |             |               |              |
|--------------------------------------|-------------------|----------------|-------------|---------------|--------------|
| SINGLE * OR THREE PHASE CALIBRATION: | 2 AMP THRU 20 AMP |                |             |               |              |
|                                      | MIN. ULT. TRIP    | MAX. ULT. TRIP | 200%        | 500%          | 1000%        |
| +25°C.                               | +77°F             | 110% RATING    | 140% RATING | 4-20 SEC.     | .40-2.0 SEC. |
| -55°C.                               | -65°F             | 110% RATING    | 160% RATING | 6-40 SEC.     | .5-3.5 SEC.  |
| +71°C.                               | +160°F            | 100% RATING    | 140% RATING | 2.5 - 15 SEC. | .25-1.1 SEC. |
|                                      |                   |                |             |               | .10-.53 SEC. |
|                                      |                   |                |             |               | .15-.80 SEC. |
|                                      |                   |                |             |               | .06-.30 SEC. |

|          |                   |                 |           |
|----------|-------------------|-----------------|-----------|
| RUPTURE: | 2 AMP THRU 20 AMP | 120 VAC, 400 HZ | 2000 AMPS |
|----------|-------------------|-----------------|-----------|

MAXIMUM OPERATING FORCES

|          |       |                       |
|----------|-------|-----------------------|
| PULL OUT | ----- | 12 LBS. MAX. (53.4 N) |
| RESET    | ----- | 12 LBS. MAX. (53.4 N) |

OPERATING ALTITUDE: 70,000 FT.

WEIGHT: 65.0 GRAMS MAX. (.143 LBS.)

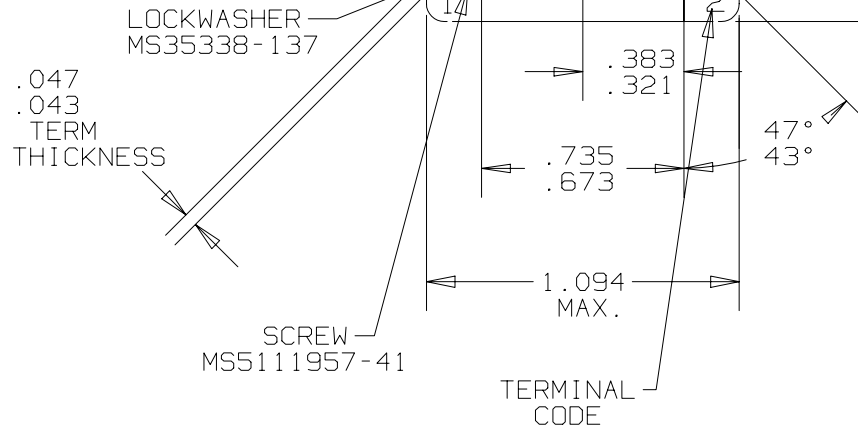
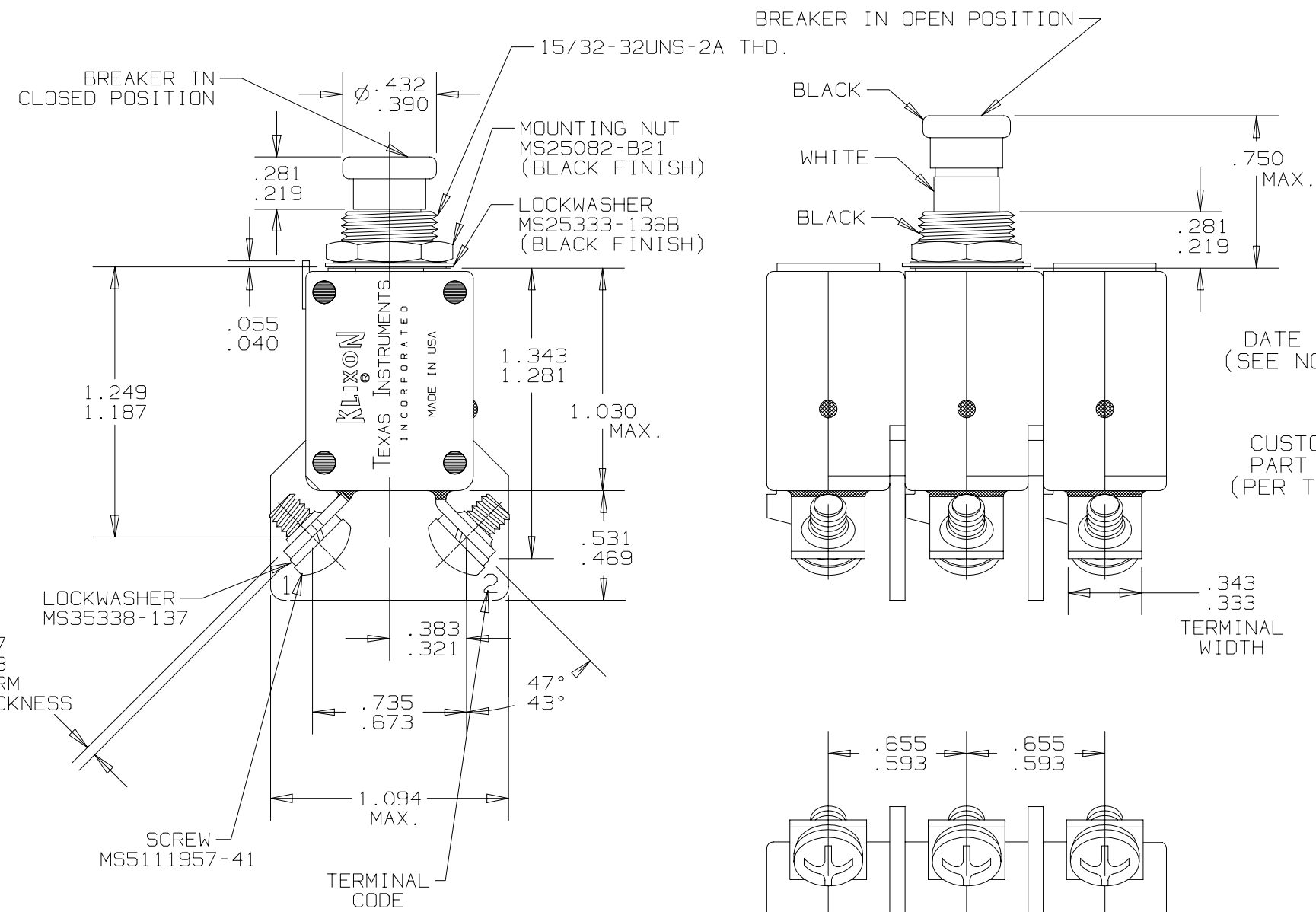
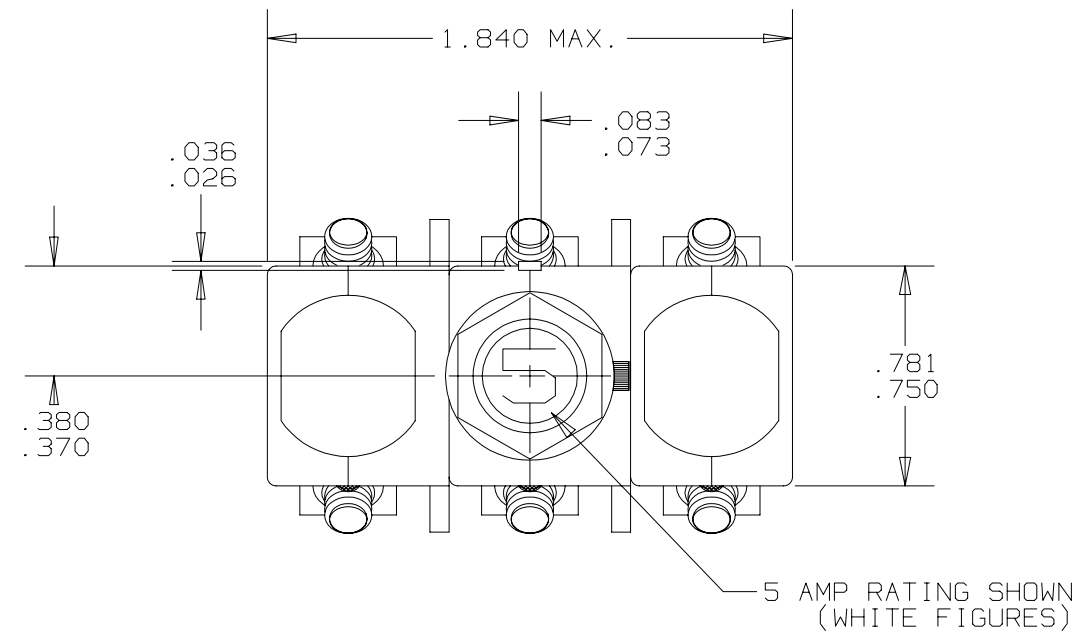
CORDINATION: PER SPECIFICATION 12506-62-1

VOLTAGE DROP:

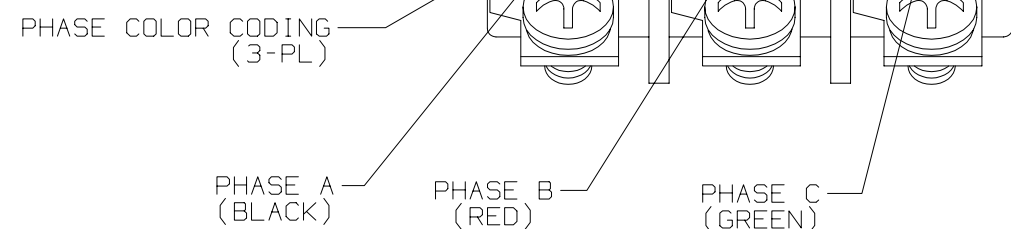
|           |       |                 |
|-----------|-------|-----------------|
| 2 AMP     | ----- | .430 VOLTS MAX. |
| 2 1/2 AMP | ----- | .375 VOLTS MAX. |
| 3 AMP     | ----- | .352 VOLTS MAX. |
| 4 AMP     | ----- | .297 VOLTS MAX. |
| 5 AMP     | ----- | .231 VOLTS MAX. |
| 7 1/2 AMP | ----- | .193 VOLTS MAX. |
| 10 AMP    | ----- | .176 VOLTS MAX. |

NOTES:

1. THIS DEVICE CONFORMS TO LOCKHEED SPECIFICATION LS10159P.
2. TERMINAL AND MOUNTING HARDWARE MAY BE PACKAGED RATHER THAN INSTALLED.
3. COUNTRY OF ORIGIN IS SHOWN FOR ILLUSTRATION PURPOSES ONLY. COUNTRY OF ORIGIN TO BE IDENTIFIED AS REQUIRED.
4. DATE CODE PER 10588-285.
5. ALL MARKINGS TO BE MADE IN APPROXIMATE POSITIONS SHOWN WITH BLACK INK PER 12506-70, 3/32 HIGH CHARACTERS.



|             |                   |
|-------------|-------------------|
| 6TC26-10    | LS10159S10P       |
| 6TC26-7 1/2 | LS10159S7P        |
| 6TC26-5     | LS10159S5P        |
| 6TC26-4     | -----             |
| 6TC26-3     | -----             |
| 6TC26-2 1/2 | LS10159S2P        |
| 6TC26-2     | -----             |
| PART NO.    | CUSTOMER PSRT NO. |



|   |  |  |                 |  |                |  |  |
|---|--|--|-----------------|--|----------------|--|--|
| UNLESS OTHERWISE SPECIFIED DIMENSIONS ARE IN INCHES |  | DRAWN<br>CHAS. FLEURANT                                | DATE<br>11-3-95 | TEXAS INSTRUMENTS<br>ATTLEBORO, MASSACHUSETTS 02703  |                | KLOXON<br>CONTROL PRODUCTS<br>DIVISION |  |
| TOLERANCE ON FRACTIONS DECIMALS ANGLES              |  | ENGINEER<br>M.A. VIDAL                                 | 11-3-95         | TITLE<br>PART NO: 6TC26<br>AMBIENT COMPENSATED CIRCUIT BREAKER<br>PUSH-PULL, TRIP FREE<br>ENVELOPE DRAWING |                |  |  |
| MATERIAL  |  | APPROVED   |                 | SIZE   | CODE IDENT NO. | 6TC26                                  |  |
|   |  | APPROVED   |                 | C  | 82647          |  |  |
|   |  | SIGNATURES ON FILE. REFER TO ELECTRONIC CHANGE NOTICE. |                 |  |                |  |  |