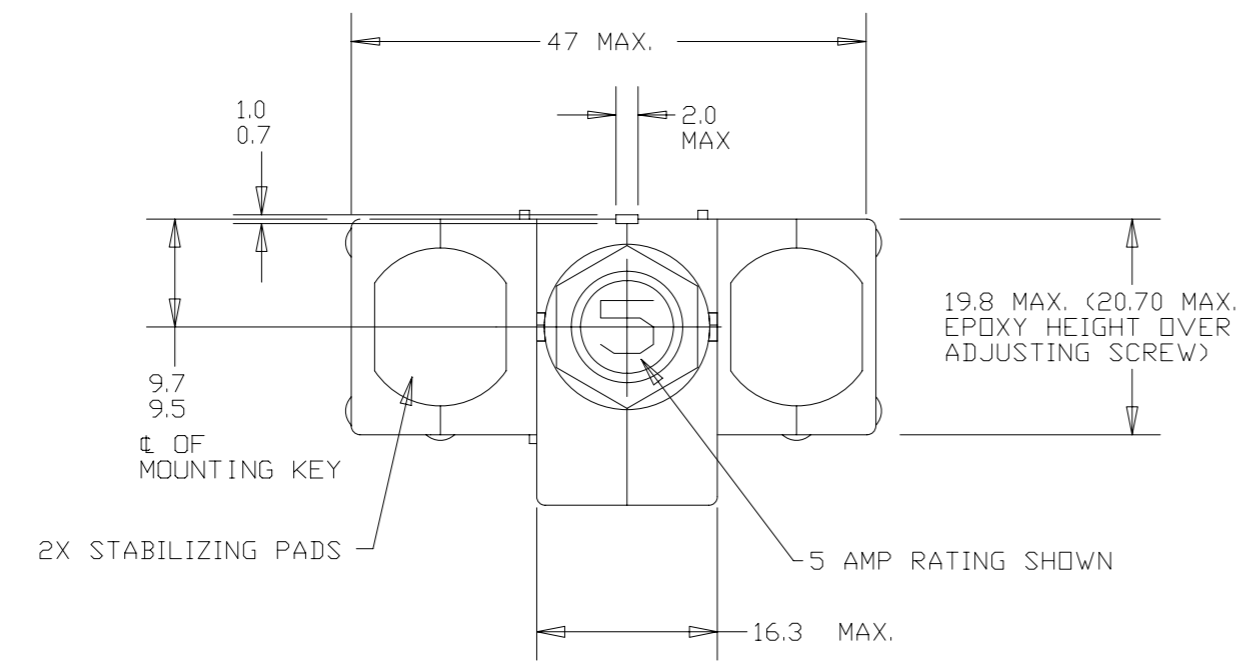


Property of  
Sensata Technologies

| ZONE | REV. | REVISION DESCRIPTION       | ECN NO.    | DATE        |
|------|------|----------------------------|------------|-------------|
| B4   | M    | 48/42° DIM WAS 55/40°; PAF | ECN0042078 | 30-MAY-2008 |



PERFORMANCE CHARACTERISTICS

DETAIL PERFORMANCE PER AEROSPATIALE SPEC. ASNE0731-001 AND ASNE0731-005

|                  |  |  |  |  |  |
|------------------|--|--|--|--|--|
| OVERLOAD CYCLING | 100 CYCLES AT 200% RATING                |  |  |  |  |
| VIBRATION        | CURVE "J" OF EUROCAE ED-14B 3G'S, 2000HZ |  |  |  |  |
| MECHANICAL SHOCK | 50 G'S                                   |  |  |  |  |
| ACCELERATION     | 10 G'S                                   |  |  |  |  |
| CORROSION        | SALT SPRAY 50 HOURS                      |  |  |  |  |
| HUMIDITY         | 10 DAYS                                  |  |  |  |  |

ENDURANCE:

|             |                      |             |
|-------------|----------------------|-------------|
| 115/200 VAC | 360-800 HZ INDUCTIVE | 2500 CYCLES |
| MECHANICAL  | NO LOAD              | 5000 CYCLES |

SINGLE \* OR THREE PHASE CALIBRATION:  
2 AMP THROUGH 25 AMP

| TEMP. | MIN. ULT. TRIP | MAX. ULT. TRIP | 200%      | 500%         | 1000%          |
|-------|----------------|----------------|-----------|--------------|----------------|
| +23°C | 110% RATING    | 140% RATING    | 2-20 SEC. | 0.5-2.8 SEC. | 0.035-0.6 SEC. |
| -55°C | 110% RATING    | 160% RATING    | ≤40 SEC.  | 0.5-2.8 SEC. | 0.035-0.6 SEC. |
| +90°C | 90% RATING     | 140% RATING    | ≥1.5 SEC. | 0.5-2.8 SEC. | 0.035-0.6 SEC. |

RUPTURE:

|                      |                 |                    |
|----------------------|-----------------|--------------------|
| 2 AMP THROUGH 25 AMP | 120 VAC, 400 HZ | 1800 AMPS AC (RMS) |
|----------------------|-----------------|--------------------|

MAXIMUM OPERATING FORCES

|          |             |
|----------|-------------|
| PULL OUT | 53.4 N MAX. |
| RESET    | 53.4 N MAX. |

OPERATING ALTITUDE: 15,000 M MAX.

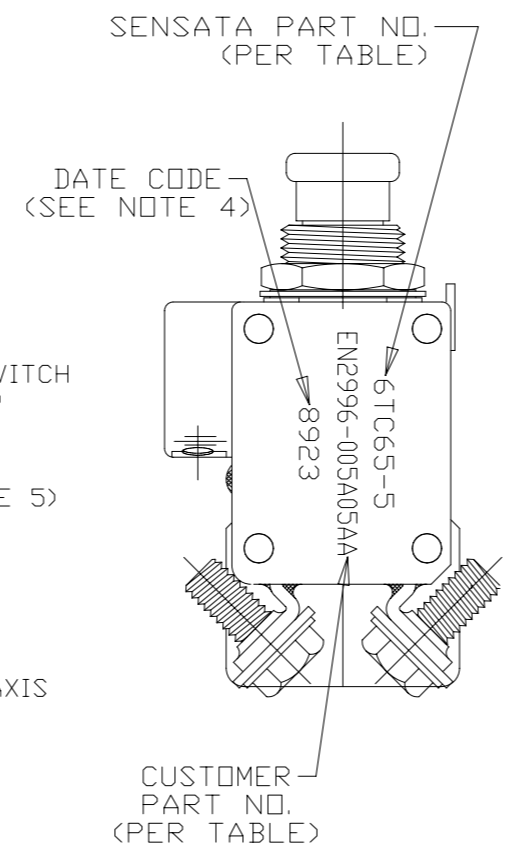
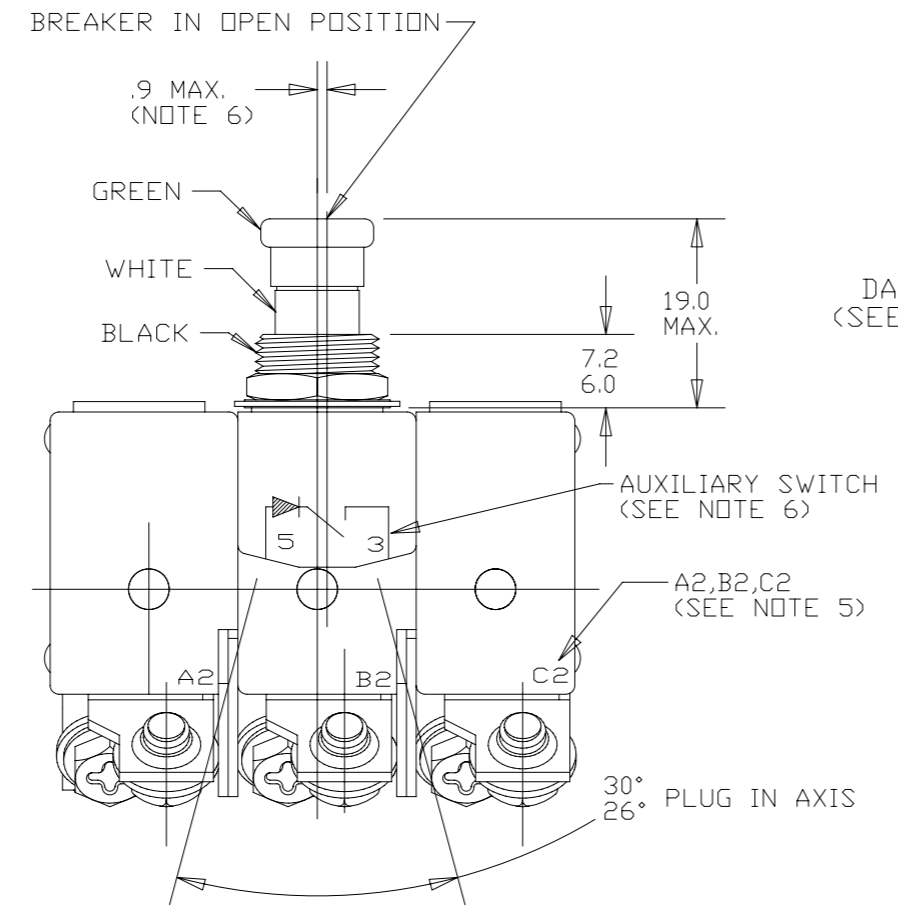
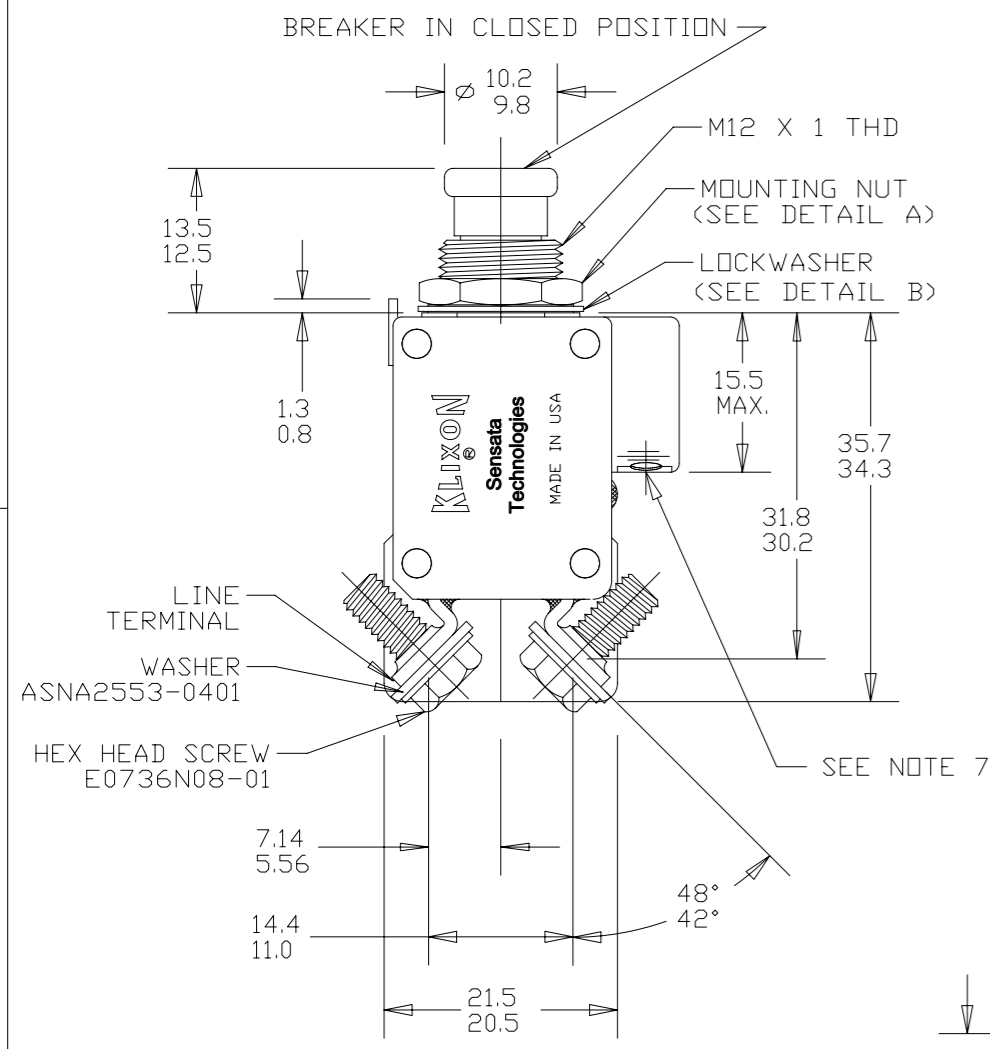
WEIGHT: 68.0 GRAMS MAX. (WITH HARDWARE)

VOLTAGE DROP:

|         |                 |
|---------|-----------------|
| 2 AMP   | 0.75 VOLTS MAX. |
| 2.5 AMP | 0.70 VOLTS MAX. |
| 3 AMP   | 0.55 VOLTS MAX. |
| 5 AMP   | 0.35 VOLTS MAX. |
| 7.5 AMP | 0.30 VOLTS MAX. |
| 10 AMP  | 0.30 VOLTS MAX. |
| 15 AMP  | 0.25 VOLTS MAX. |
| 20 AMP  | 0.25 VOLTS MAX. |
| 25 AMP  | 0.25 VOLTS MAX. |

\* SINGLE PHASE MAXIMUM ULTIMATE TRIP VALUES APPLY WITH OTHER TWO PHASES CARRYING 90% OF RATED CURRENT

C

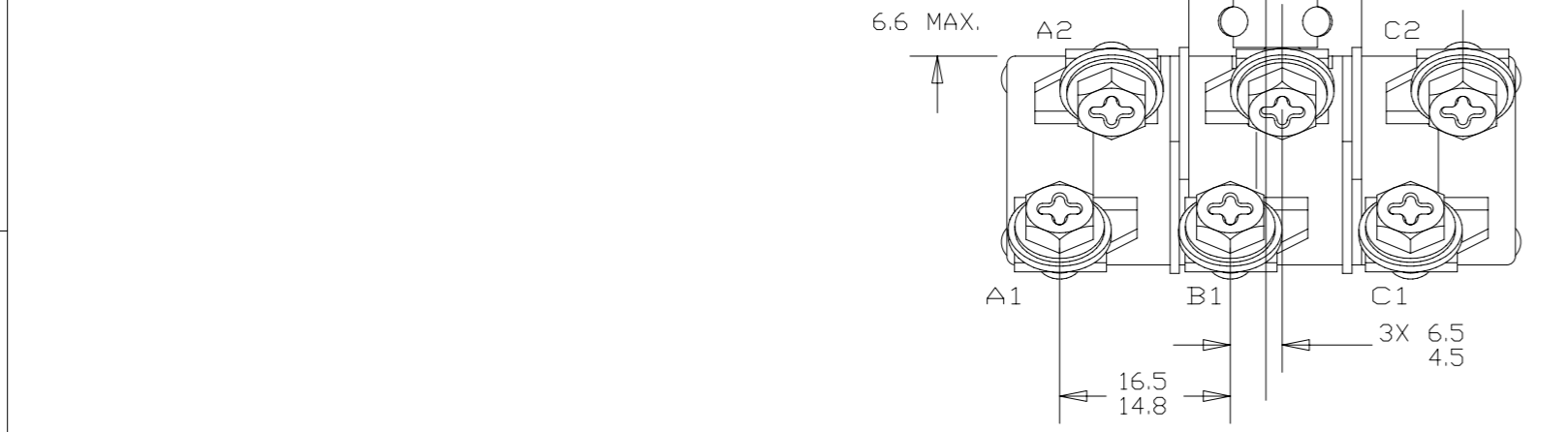


AUXILIARY SWITCH CHARACTERISTICS

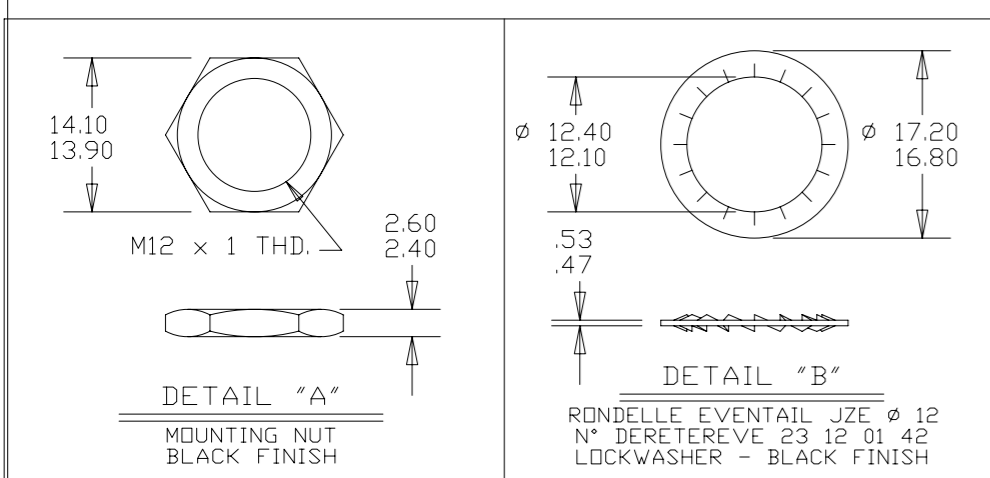
| SIGNALIZATION CONTACT | TYPE OF LOAD | 28 VDC    | 5 VDC |
|-----------------------|--------------|-----------|-------|
|                       |              | RESISTIVE | 0.5 A |
|                       | LAMP         | 0.2 A     |       |

| SENSATA PART NO. | CUSTOMER PART NO. | WITHOUT TERMINAL HARDWARE |
|------------------|-------------------|---------------------------|
| 6TC65-25         | EN2996-005A25AA   | EN2996-005A25AB           |
| 6TC65-20         | EN2996-005A20AA   | EN2996-005A20AB           |
| 6TC65-15         | EN2996-005A15AA   | EN2996-005A15AB           |
| 6TC65-10         | EN2996-005A10AA   | EN2996-005A10AB           |
| 6TC65-7 1/2      | EN2996-005A7A5A   | EN2996-005A7A5B           |
| 6TC65-5          | EN2996-005A05AA   | EN2996-005A05AB           |
| 6TC65-3          | EN2996-005A03AA   | EN2996-005A03AB           |
| 6TC65-2 1/2      | EN2996-005A2A5A   | EN2996-005A2A5B           |
| 6TC65-2          | EN2996-005A02AA   | EN2996-005A02AB           |

B



A



- NOTES:
- EPOXY SURFACES ARE NON-DIMENSIONED, ENVELOPE DRAWING DIMENSIONS DO NOT APPLY TO THESE PROJECTED EPOXY SURFACES.
  - TERMINAL AND MOUNTING HARDWARE MAY BE PACKAGED RATHER THAN INSTALLED.
  - COUNTRY OF ORIGIN IS SHOWN FOR ILLUSTRATION PURPOSES ONLY. COUNTRY OF ORIGIN TO BE IDENTIFIED AS REQUIRED.
  - DATE CODE PER 10588-285.
  - ALL MARKINGS TO BE MADE IN APPROXIMATE POSITIONS SHOWN WITH BLACK INK PER 12506-70, 2MM HIGH CHARACTERS.
  - DISTANCE BETWEEN THE DEVICE AND AUXILIARY SWITCH CENTERLINES.
  - RECOMMENDED PIN CONTACT: GAUGE 20 PER EN3155-016M2018 OR EQUIVALENT.

FOR REFERENCE ONLY, CHECK LATEST REVISION BEFORE USE. PARTS MADE TO THIS PRINT MUST CONFORM TO E9898 REV. E

|   |   |   |
|---|---|---|
| DRAWN<br>D. STAPLES<br>DATE 24-OCT-1996   | SENSATA TECHNOLOGIES PROPRIETARY AND CONFIDENTIAL. NEITHER THIS PRINT NOR THE INFORMATION CONTAINED HEREON IS TO BE USED AGAINST THE INTERESTS OF SENSATA TECHNOLOGIES OR ANY OF ITS AFFILIATED COMPANIES OR WHOLLY OWNED SUBSIDIARIES. | <p>529 PLEASANT STREET<br/>P.O. BOX 2964<br/>ATTLEBORO, MA 02703</p>  |
| ENGINEER<br>J. FOWLER<br>DATE 24-OCT-1996 | UNLESS OTHERWISE SPECIFIED DIMENSIONS ARE IN MILLIMETERS TOLERANCES DECIMALS ANGLES   |   |
| APPROVED<br>A. ANDRES<br>DATE 24-OCT-1996 | DO NOT SCALE DRAWING  | <p>TITLE PART NO. 6TC65<br/>AMBIENT COMPENSATED, HIGH TEMP. CIRCUIT BREAKER<br/>PUSH-PULL, TRIP FREE ENVELOPE DRAWING</p> |
| APPROVED<br>P. BERG<br>DATE 24-OCT-1996   | THIRD ANGLE PROJECTION  |   |
| <p>SIZE DWG. NO. A2</p> <p>SCALE 4:1</p>  |   | <p>REV. M</p> <p>SHEET 1 OF 1</p>   |

DEVICE: 6TC PROJECT: 1041

4

3

2

1