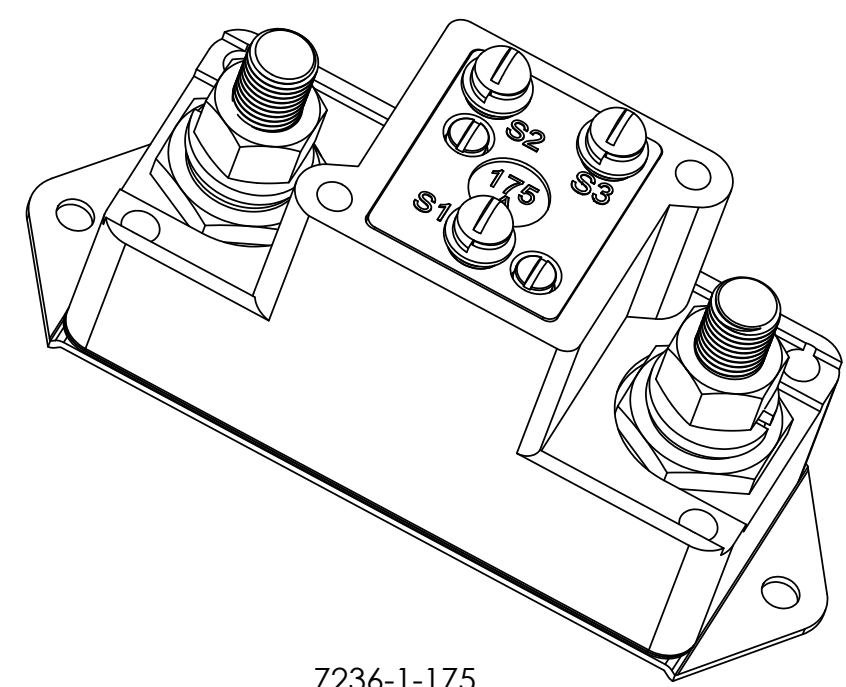
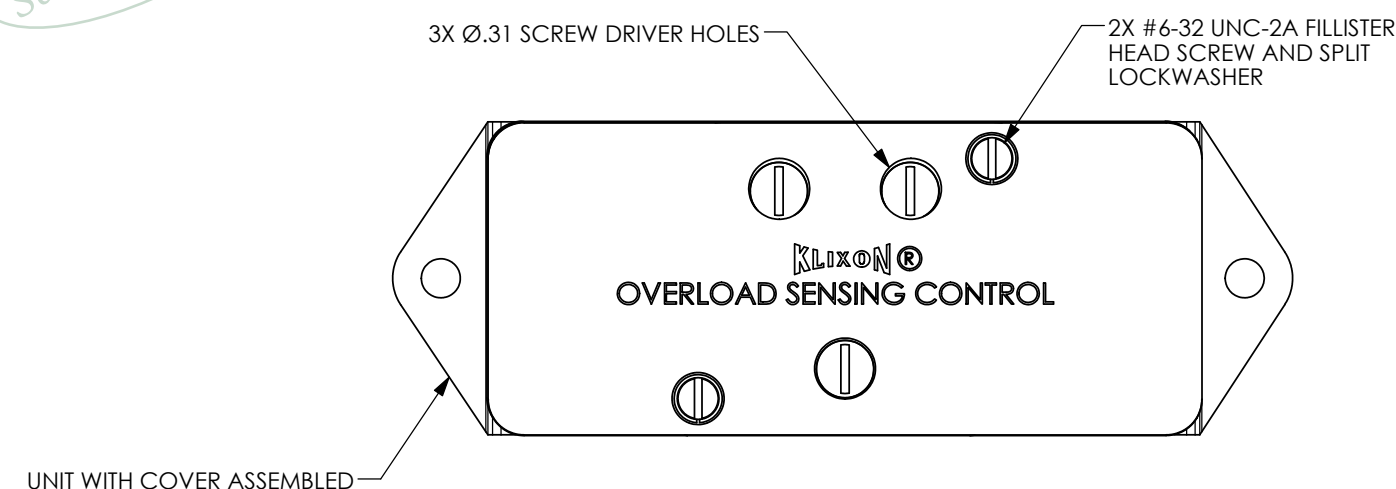


Property of Sensata Technologies

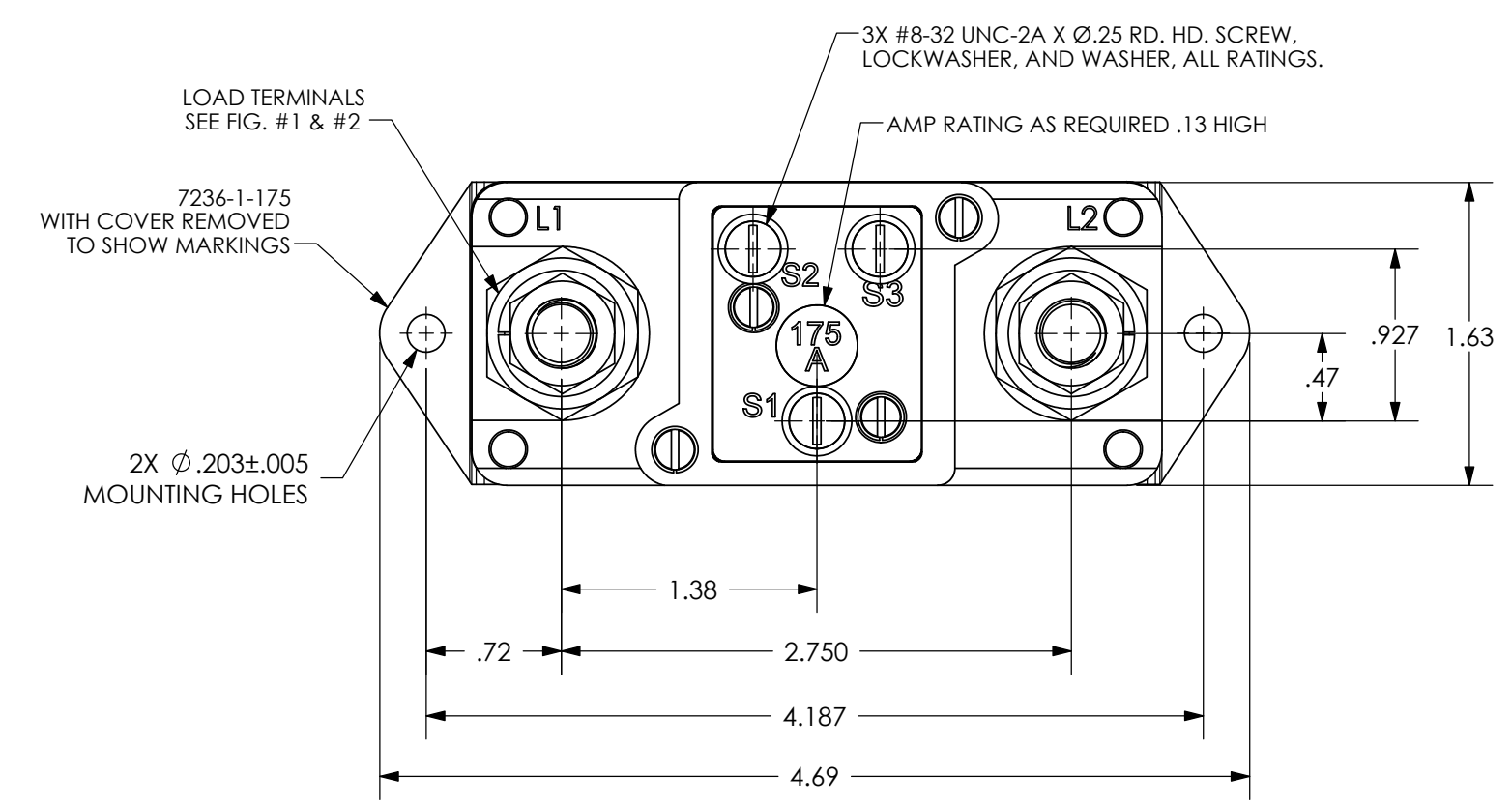
ZONE	REV.	REVISION DESCRIPTION	ECN NO.	DATE
	Y	CONTACT RATED S1-S3-- WAS "(7235-1) ... (7235-2) ...", "INTERNAL RESISTANCE S1-S3 FOR 7236-1" WAS "INTERNAL ... 7235-1", JG	ECO-244984	20-JUL-2018



7236-1-175 WITHOUT COVER

PERFORMANCE CHARACTERISTICS

VOLTAGE RATING	_____	28VDC / 110VAC
200% OL AT 77°F RATED CURRENT	_____	150-400 AMPS
ULTIMATE TRIP AT 77° F RATED CURRENT	_____	10-200 SECONDS
MINIMUM	_____	115%
MAXIMUM	_____	138%
CONTACT RATED S1-S3	_____	(7236-1) 3 AMPS, (7236-2) 10 AMPS
CONTACT RATED S1-S2	_____	10 AMPS
INTERNAL RESISTANCE S1-S3 FOR 7236-1	_____	.75 OHMS
SINGLE/THREE PHASE WIRING DIAGRAMS	_____	298 SH.1 / 298 SH.2
SHORT-CIRCUIT RUPTURE (RELAY CAPABILITY)	_____	5 CYCLES, 20VDC, 40K FT. ALT. 4000 AMPS ADJUSTED CURRENT
SHOCK RESISTANCE	_____	25G MIL-STD-202 METHOD 213
VIBRATION RESISTANCE	_____	.060" TOTAL EXCUSION, 10-55 CPS
EXPLOSION PROOF	_____	3 CYCLES AT 1000 AMPS MIL-STD-810
SAND AND DUST RESISTANCE	_____	4 HRS MIL-STD-202 METHOD 110
CORROSION RESISTANCE	_____	15 HRS. SPEC. QQ-M-151A
APPROX. WEIGHT	_____	15 OZS, (425 GRAMS)



NOTE:
COVER PROVIDES SPACE FOR AN 659 COPPER CONNECTORS OR AIRCRAFT TYPE ALUMINUM CONNECTORS UP TO AND INCLUDING THE FOLLOWING; ONE "4/0" CONNECTOR WITH 1/2 HEX NUT AND LOCKWASHER OR TWO "0" CONNECTORS STACKED BACK TO BACK WITH 1/2 HEX NUT AND LOCKWASHER.

NOTES:

1. FINAL DASH NO. DEPENDS ON AMP RATING (SEE TABLE).

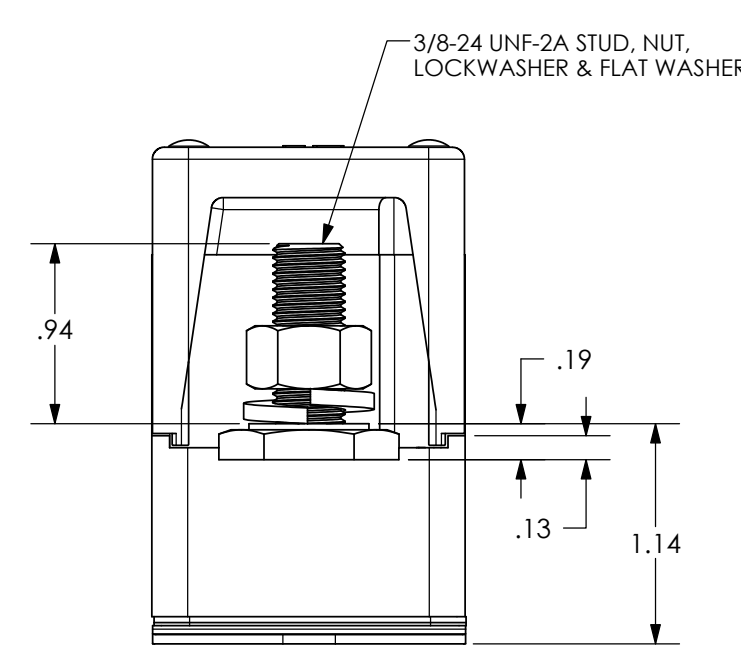
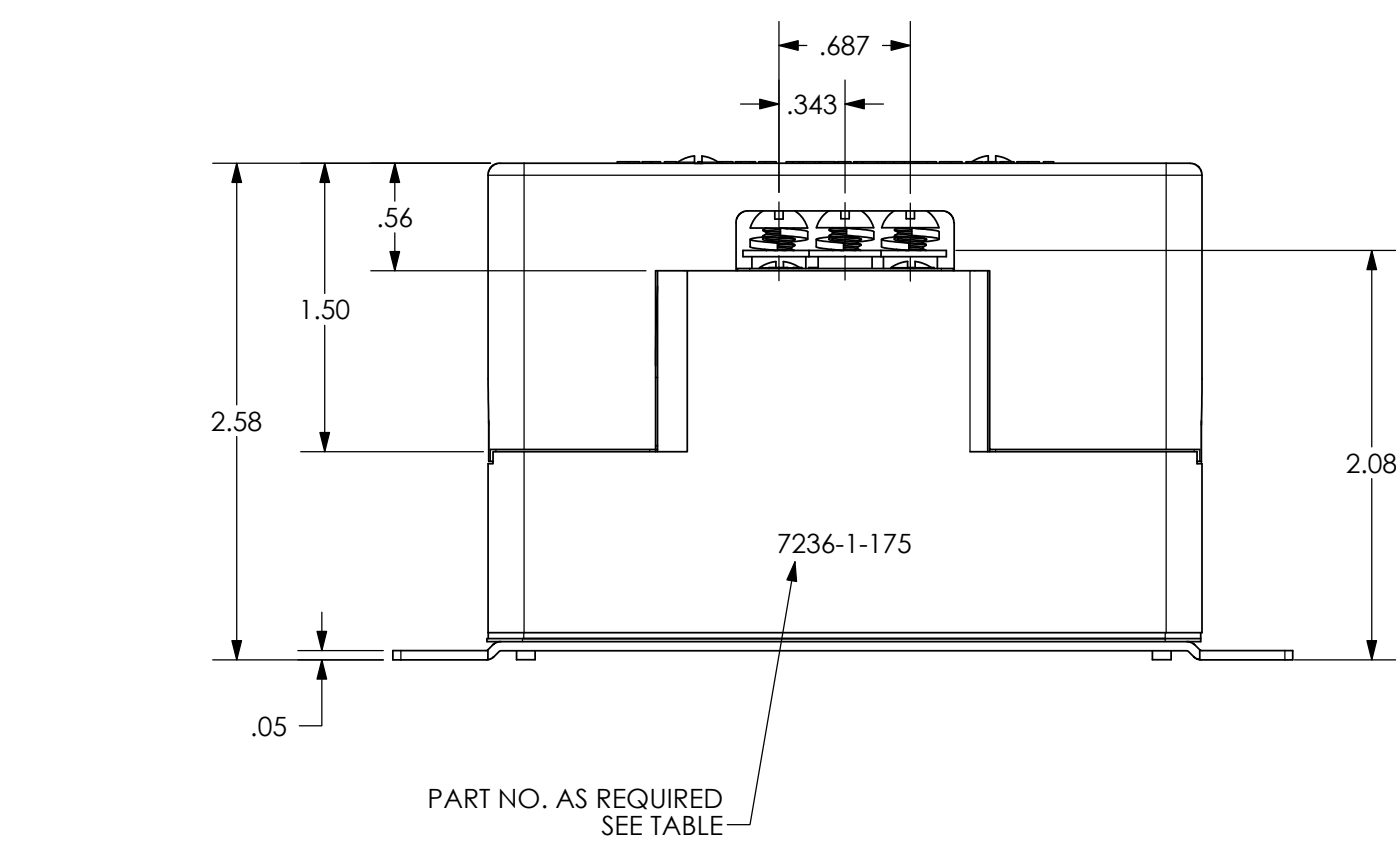


FIG. 1 APPLIES TO 150, 175, 200, 225, 250, 300 & 350 AMP RATINGS

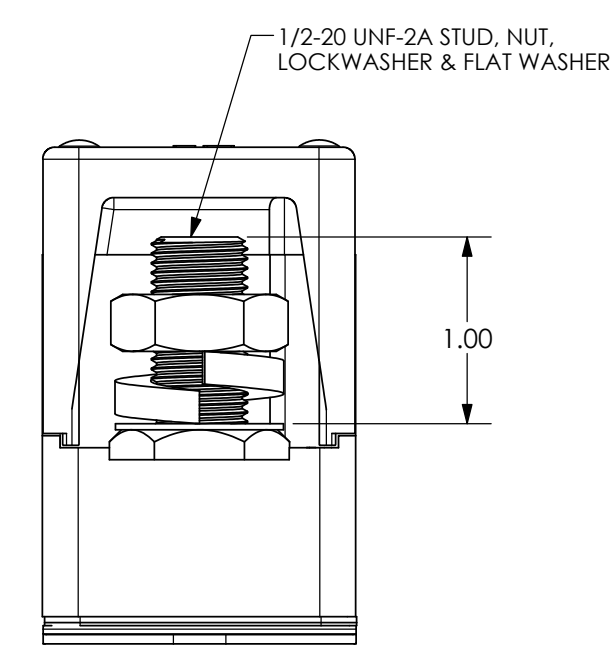


FIG. 2 APPLIES TO 400 AMP RATING

SENSATA TECHNOLOGIES PART NO.	
7236-1-XXX OR 7236-2-XXX	AMP RATINGS
	150
	175
	200
	225
	250
	300
	350
	400

FOR REFERENCE ONLY, CHECK LATEST REVISION BEFORE USE. PARTS MADE TO THIS PRINT MUST CONFORM TO E9898 REV. E.		529 PLEASANT STREET P.O. BOX 2964 ATTLEBORO, MA 02703	
DRAWN J.D.MAYALL DATE 15-APR-1960 ENGINEER D.APPLETON DATE 21-APR-1960 APPROVED DATE APPROVED DATE	SENSATA TECHNOLOGIES PROPRIETARY AND CONFIDENTIAL. NEITHER THIS PRINT NOR THE INFORMATION CONTAINED HEREON IS TO BE USED AGAINST THE INTERESTS OF SENSATA TECHNOLOGIES OR AGAINST THE INTERESTS OF ANY OF ITS AFFILIATED COMPANIES OR WHOLLY OWNED SUBSIDIARIES. INTERPRET DIMENSIONING AND TOLERANCING PER ASME Y14.5-2009. UNLESS OTHERWISE SPECIFIED DIMENSIONS ARE IN INCHES. TOLERANCES DECIMALS X.XX ±.03 X.XXX ±.015 ANGLES	TITLE 7236 TYPE KLIXON OVERLOAD SENSING CONTROL ENVELOPE DRAWING SIZE DWG NO. 7236 REV. Y SCALE 1:1 SOLIDWORKS SHEET 1 OF 1	