



| 7270 & 7271 SERIES

Toggle Switch or Pushbutton, Single-Phase

Introduction

Klixon® 7270 and 7271 series circuit breakers were designed to utilize less space behind the panel while protecting wire and cable in aircraft and ground support equipment on 120 VAC, 400 Hz or 30 VDC systems.

Inherently resistant to shock and vibration, the Klixon® disc element is capable of calibration within close tolerances throughout the service life of the breaker.



Features

- Trip-free operation
- Snap-acting thermal element
- Small size
- Light weight
- MIL-C-5809 qualified
- Current rating: 3 to 35 amps
- High interrupting capacity
- Available with neck mounting (7270-1 and 7271-8 devices) or standard cover plate (7270-7 and 7271-3 devices)
- Typical use: Aircraft and ground support equipment

PERFORMANCE CHARACTERISTICS

Vibrations	10G minimum, 50–500 Hz (other vibration levels available)
Mechanical Shock	30G
Acceleration	10G
Weight	39 grams maximum (7270-1 and 7271-8)
Endurance	5,000 cycles: 120 VAC, 400 Hz, inductive 5,000 cycles: 120 VAC 400 Hz, resistive 5,000 cycles: 30 VDC, inductive 2,500 cycles: 30 VDC, resistive 5,000 cycles: Mechanical, no load



CALIBRATION CHART

For a Standard Device

Temp.	Minimum Ultimate Trip	Maximum Ultimate Trip	Trip Time (in seconds)		
			200%	500%	1000%
25°C	105%	145%	15–65	2–10	1.4
-40°C	138%	175%	15–65	2–10	1.4
70°C	80%	125%	15–65	2–10	1.4

The most typical device is 3–35 amps. For others, please contact us.

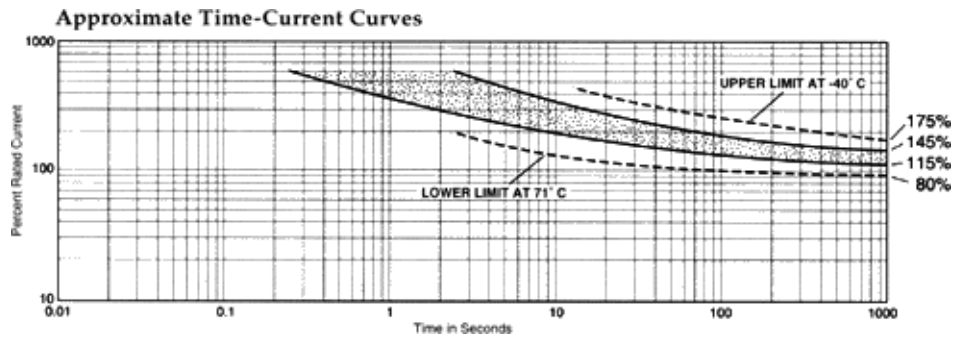


CALIBRATION CHART BY AMPS

Amps	Calibration at 25°C		
	200%	400%	600%
3 amps	40–120 seconds	3–26 seconds	1–12 seconds
5 amps	40–100 seconds	3–22 seconds	1–10 seconds
7.5 amps	10–70 seconds	0.75–7.0 seconds	0.25–2.5 seconds
10 amps	10–70 seconds	0.75–7.0 seconds	0.25–2.5 seconds
15 amps	10–70 seconds	0.75–7.0 seconds	0.25–2.5 seconds
20 amps	10–70 seconds	0.75–7.0 seconds	0.25–2.5 seconds
25 amps	10–70 seconds	0.75–7.0 seconds	0.25–2.5 seconds
30 amps	10–70 seconds	0.75–7.0 seconds	0.25–2.5 seconds
35 amps	10–70 seconds	0.75–7.0 seconds	0.25–2.5 seconds



TRIP CURVE

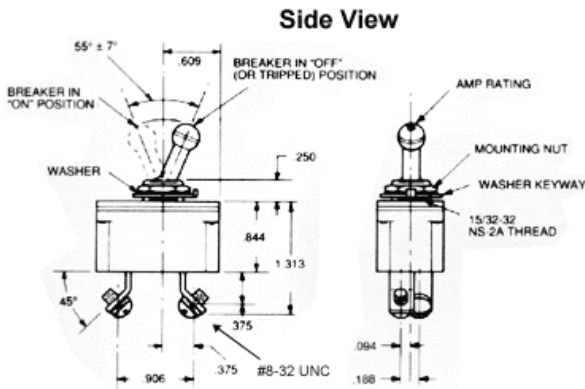




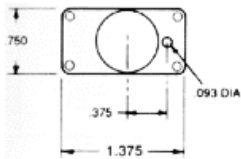
DIMENSIONS

Dimensions in mm [Inch]

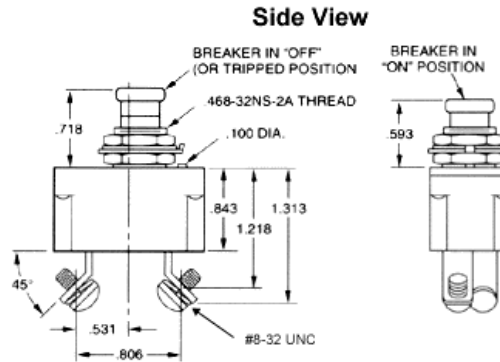
7270-1



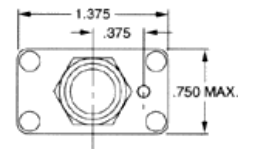
Top Plate



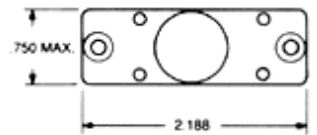
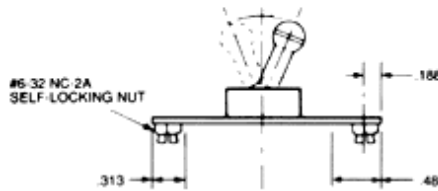
7271-8



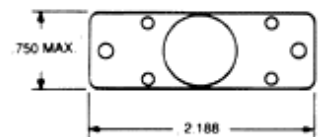
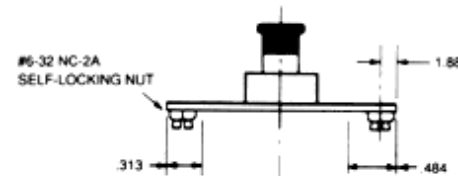
Top Plate



7270-7



7271-3



THE CONFIGURATION AND SIZE OF ALL 7270-7271 SERIES CIRCUIT BREAKERS, FROM THE TOP PLATE DOWN, ARE THE SAME.

Sensata Technologies, Inc. ("Sensata") data sheets are solely intended to assist designers ("Buyers") who are developing systems that incorporate Sensata products (also referred to herein as "components"). Buyer understands and agrees that Buyer remains responsible for using its independent analysis, evaluation and judgment in designing Buyer's systems and products. Sensata data sheets have been created using standard laboratory conditions and engineering practices. Sensata has not conducted any testing other than that specifically described in the published documentation for a particular data sheet. Sensata may make corrections, enhancements, improvements and other changes to its data sheets or components without notice.

Buyers are authorized to use Sensata data sheets with the Sensata component(s) identified in each particular data sheet. HOWEVER, NO OTHER LICENSE, EXPRESS OR IMPLIED, BY ESTOPPEL OR OTHERWISE TO ANY OTHER SENSATA INTELLECTUAL PROPERTY RIGHT, AND NO LICENSE TO ANY THIRD PARTY TECHNOLOGY OR INTELLECTUAL PROPERTY RIGHT, IS GRANTED HEREIN. SENSATA DATA SHEETS ARE PROVIDED "AS IS". SENSATA MAKES NO WARRANTIES OR REPRESENTATIONS WITH REGARD TO THE DATA SHEETS OR USE OF THE DATA SHEETS, EXPRESS, IMPLIED OR STATUTORY, INCLUDING ACCURACY OR COMPLETENESS. SENSATA DISCLAIMS ANY WARRANTY OF TITLE AND ANY IMPLIED WARRANTIES OF MERCHANTABILITY, FITNESS FOR A PARTICULAR PURPOSE, QUIET ENJOYMENT, QUIET POSSESSION, AND NON-INFRINGEMENT OF ANY THIRD PARTY INTELLECTUAL PROPERTY RIGHTS WITH REGARD TO SENSATA DATA SHEETS OR USE THEREOF.

All products are sold subject to Sensata's terms and conditions of sale supplied at www.sensata.com SENSATA ASSUMES NO LIABILITY FOR APPLICATIONS ASSISTANCE OR THE DESIGN OF BUYERS' PRODUCTS. BUYER ACKNOWLEDGES AND AGREES THAT IT IS SOLELY RESPONSIBLE FOR COMPLIANCE WITH ALL LEGAL, REGULATORY AND SAFETY-RELATED REQUIREMENTS CONCERNING ITS PRODUCTS, AND ANY USE OF SENSATA COMPONENTS IN ITS APPLICATIONS, NOTWITHSTANDING ANY APPLICATIONS-RELATED INFORMATION OR SUPPORT THAT MAY BE PROVIDED BY SENSATA.

Mailing Address: Sensata Technologies, Inc., 529 Pleasant Street, Attleboro, MA 02703, USA.

CONTACT US

Americas

+1 (508)-236-3287
klixon@sensata.com

AUTHORIZED DISTRIBUTORS

Flame Enterprises
Bob Correa, Director of Product Management
+1 (240) 236-9802
bcorrea@flamecorp.com
info@flamecorp.com | Web
Tel: 1-800-854-2255 or 1-818-700-2905
Fax: 1-818-407-5080

Peerless Electronics
Steve Gunther, National Sales Manager

+1 (516) 594-3509
sgunther@peerlesselectronics.com
nysales@peerlesselectronics.com | Web
Tel: 1-800-285-2121
Fax: 1-800-222-8096

Europe, Middle East & Africa

Flame Enterprises
Bob Correa, Director of Product Management
+1 (240) 236-9802
bcorrea@flamecorp.com
info@flamecorp.com | Web
Tel: 1-800-854-2255 or 1-818-700-2905
Fax: 1-818-407-5080