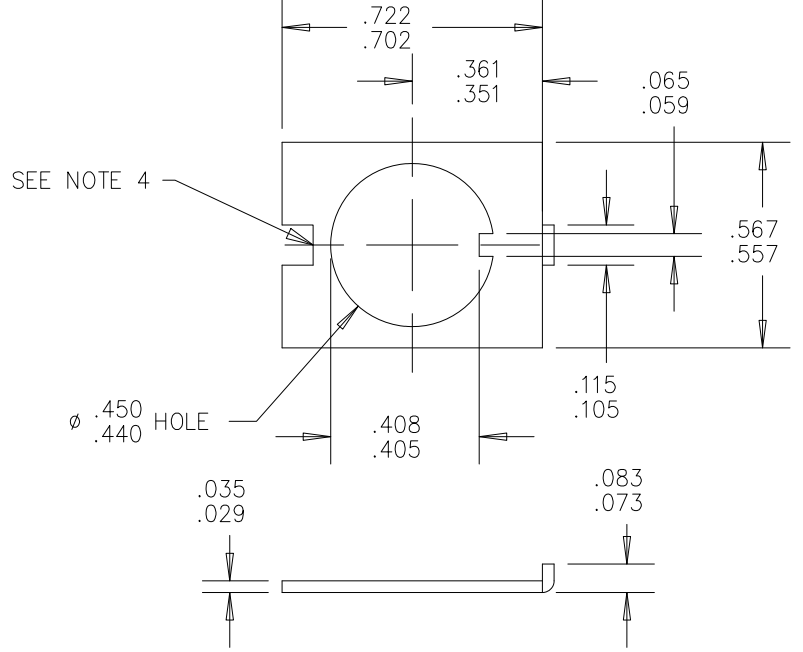
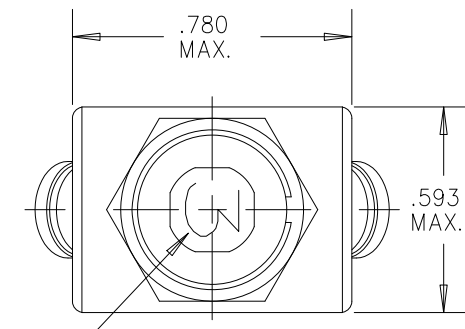


Property of
Sensata Technologies

ZONE	REV.	REVISION DESCRIPTION	ECN NO.	DATE
B3	P	.429/.367 WAS .400/.390;	ECO-138412	04-OCT-2016
B2		.222/.160 WAS .175 MIN; .277 MAX WAS .281/.219; PD		



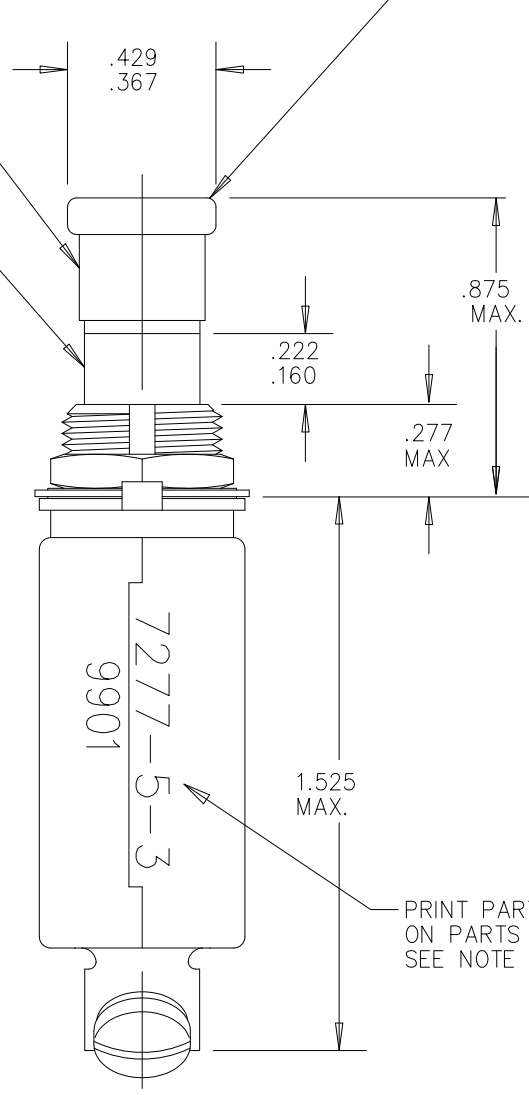
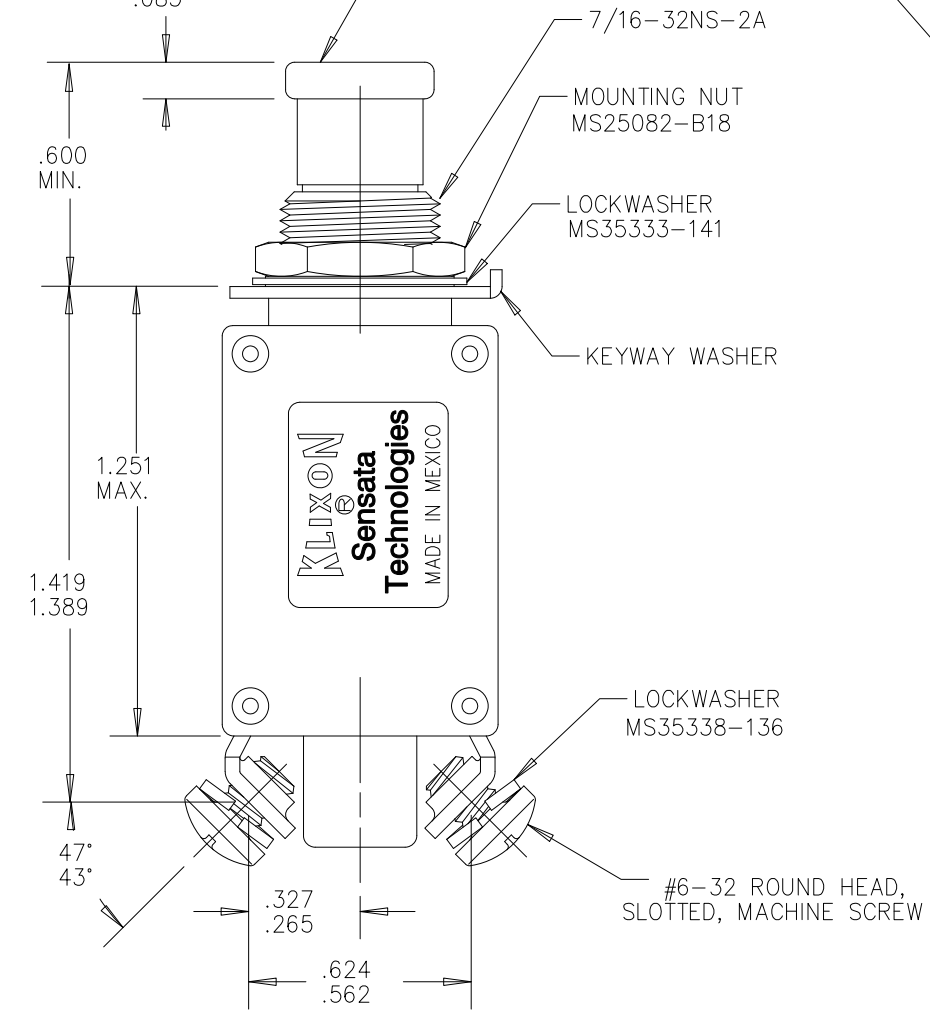
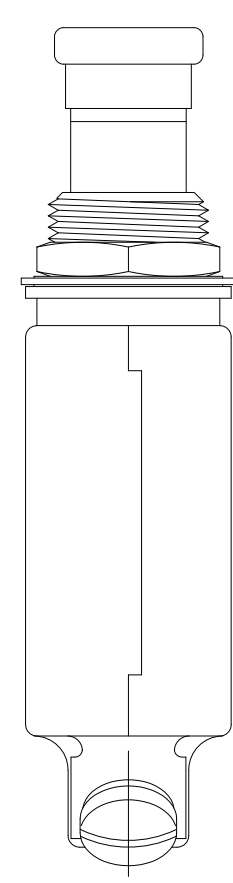
KEYWAY WASHER DETAIL



AMP RATING
7277-5-3 SHOWN

PUSH PULL BUTTON POSITION
WITH CIRCUIT BREAKER
TRIPPED OR OFF

PUSH PULL BUTTON POSITION
WITH CIRCUIT BREAKER CLOSED
WHITE BAND NOT VISIBLE



PRINT PART NO. AS SPECIFIED
ON PARTS LIST & DATE CODE
SEE NOTE 5.

PERFORMANCE CHARACTERISTICS

(DETAIL PERFORMANCE PER MIL-C-5809)

- OVERLOAD CYCLING ----- 100 CYCLES AT 200% RATING
- VIBRATION ----- 10 G'S 50-500 HZ
- MECHANICAL SHOCK ----- 35 G'S AT 11.5 MILLISECOND DURATION
- ACCELERATION ----- 10 G'S MINIMUM
- SAND AND DUST ----- 12 HOURS
- CORROSION ----- SALT SPRAY 50 HOURS
- HUMIDITY ----- 10 DAYS
- EXPLOSION PROOF ----- WHILE INTERRUPTING RUPTURE CURRENTS

- ENDURANCE:
- 120 VAC ----- 400 HZ INDUCTIVE ----- 2500 CYCLES
 - RESISTIVE ----- 5000 CYCLES
 - 30 VDC ----- INDUCTIVE ----- 2500 CYCLES
 - RESISTIVE ----- 5000 CYCLES
 - MECHANICAL ----- 5000 CYCLES

CALIBRATION:

AMBIENT TEMP.	MIN.ULT.TRIP	MAX.ULT.TRIP	200%	500%	1000%
+25°C	110% RATING	150% RATING	2-35 SEC.	.15-1.7 SEC.	.028-.55 SEC.

PART NO.	AMP RATING	MAXIMUM VOLTAGE DROP	CURRENT INTERRUPTING CAPACITY	
			120 VAC, 400 HZ	28 VDC
7277-5-1/2	1/2	2.00	UNLIMITED	UNLIMITED
7277-5-3/4	3/4	1.45	UNLIMITED	UNLIMITED
7277-5-1	1	1.10	UNLIMITED	UNLIMITED
7277-5-1 1/2	1 1/2	0.75	UNLIMITED	UNLIMITED
7277-5-2	2	0.75	800 AMPS	UNLIMITED
7277-5-2 1/2	2 1/2	0.70	800 AMPS	UNLIMITED
7277-5-3	3	0.55	800 AMPS	UNLIMITED
7277-5-4	4	0.45	800 AMPS	UNLIMITED
7277-5-5	5	0.35	800 AMPS	UNLIMITED
7277-5-7 1/2	7 1/2	0.30	500 AMPS	2000 AMPS
7277-5-10	10	0.28	500 AMPS	2000 AMPS
7277-5-15	15	0.25	500 AMPS	800 AMPS
7277-5-20	20	0.25	500 AMPS	800 AMPS
7277-5-25	25	0.25	500 AMPS	800 AMPS

NOTES:

- ALL MOUNTING HARDWARE HAS A DULL BLACK FINISH.
- CIRCUIT BREAKERS ARE SUITABLE FOR MOUNTING IN A 1/8" THICK PANEL OR LESS.
- EPOXY SURFACES ARE NON-DIMENSIONED. ENVELOPE DRAWING DIMENSIONS DO NOT APPLY TO THESE PROJECTED EPOXY SURFACES.
- NON FUNCTIONAL NOTCH ON THE BACK OF THE KEYWAY WASHER IS OPTIONAL.
- DATE CODE SPEC: 10588-285

FOR REFERENCE ONLY, CHECK LATEST REVISION BEFORE USE.
PARTS MADE TO THIS PRINT MUST CONFORM TO E9898 REV. E

DRAWN
CHAS. FLEURANT
DATE 30-OCT-1991

ENGINEER
K.B. GASSER
DATE 09-MAR-1992

APPROVED
D.R. PETRIE
DATE 09-MAR-1992

DATE

Sensata Technologies
529 PLEASANT STREET
P.O. BOX 2964
ATTLEBORO, MA 02703

TITLE
7277-5 TYPE PUSH-PULL TRIP FREE
CIRCUIT BREAKER
ENVELOPE DRAWING

SIZE DWG NO. REV.
C **7277-5** P

SCALE 1:1 AUTOCAD SHEET 1 OF 1

DO NOT SCALE DRAWING
THIRD ANGLE PROJECTION