

5

4

3

2

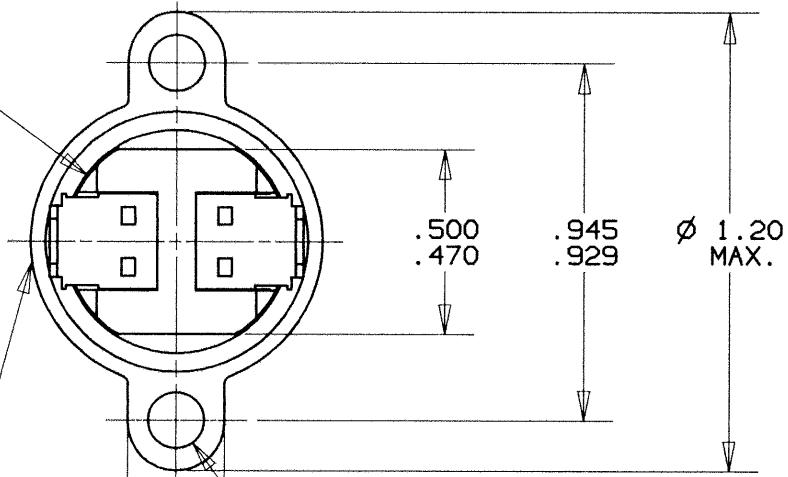
1

REVISIONS

ZONE	LTR	DEV.# 7BT2	DESCRIPTION	PROJ.# 3190	DATE	APPROVED
	B	CHG TO MATCH 7BT2 SEQUENCE	ECN#M45030	MF	03/26/99	S.B.M.

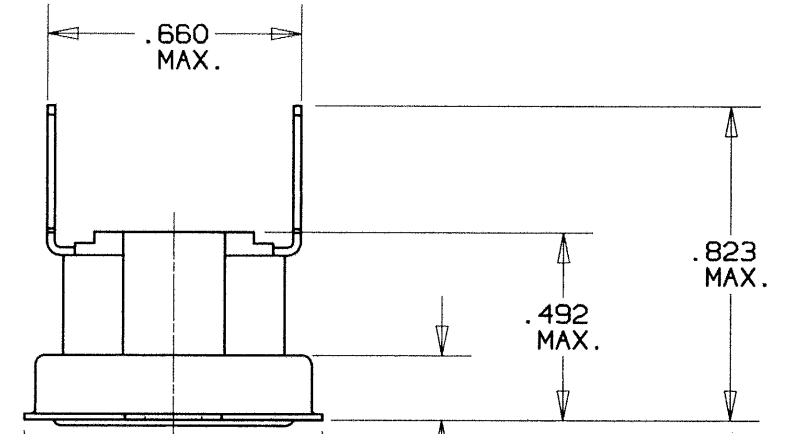
Property of
Sensata Technologies

Ø .579 MAX.



2X 90° .187 REF. Q.C. TERMINAL
.020 REF. THICK

.260 MAX. 2X Ø .152
.141



Ø .775 MAX. .169 MAX.

PART NO.: 7BT2L3B-*
7BT2F3B-*

"L" DESIGNATES OPEN ON TEMPERATURE RISE.
"F" DESIGNATES CLOSE ON TEMPERATURE RISE.

*WHEN CUSTOMERS TEMPERATURE CHARACTERISTICS ARE ESTABLISHED A DASH NO. WILL BE ASSIGNED, THEREBY COMPLETING THE PART NO.

THIS DRAWING SUPERSEDES 7BT2-3B REV. A DATED 11/13/98.

				Q4	P17
UNLESS OTHERWISE SPECIFIED DIMENSIONS ARE IN INCHES	DRAWN MARK FONTES	DATE 11/13/98	TEXAS INSTRUMENTS ATTLEBORO, MASSACHUSETTS 02703		KLIXON CONTROL PRODUCTS DIVISION
TOLERANCES ON FRACTIONS DECIMALS ANGLES	ENGINEER S.B. MARQUIS	11/13/98	TITLE FIXED TEMPERATURE THERMOSTAT ENVELOPE DRAWING		
MATERIAL	APPROVED D.R. PETRIE	11/13/98			
	APPROVED G. FIELD	11/13/98	SIZE B	CODE IDENT NO. 82647	7BT2-3B
SIGNATURES ON FILE. REFER TO ELECTRONIC CHANGE NOTICE.					