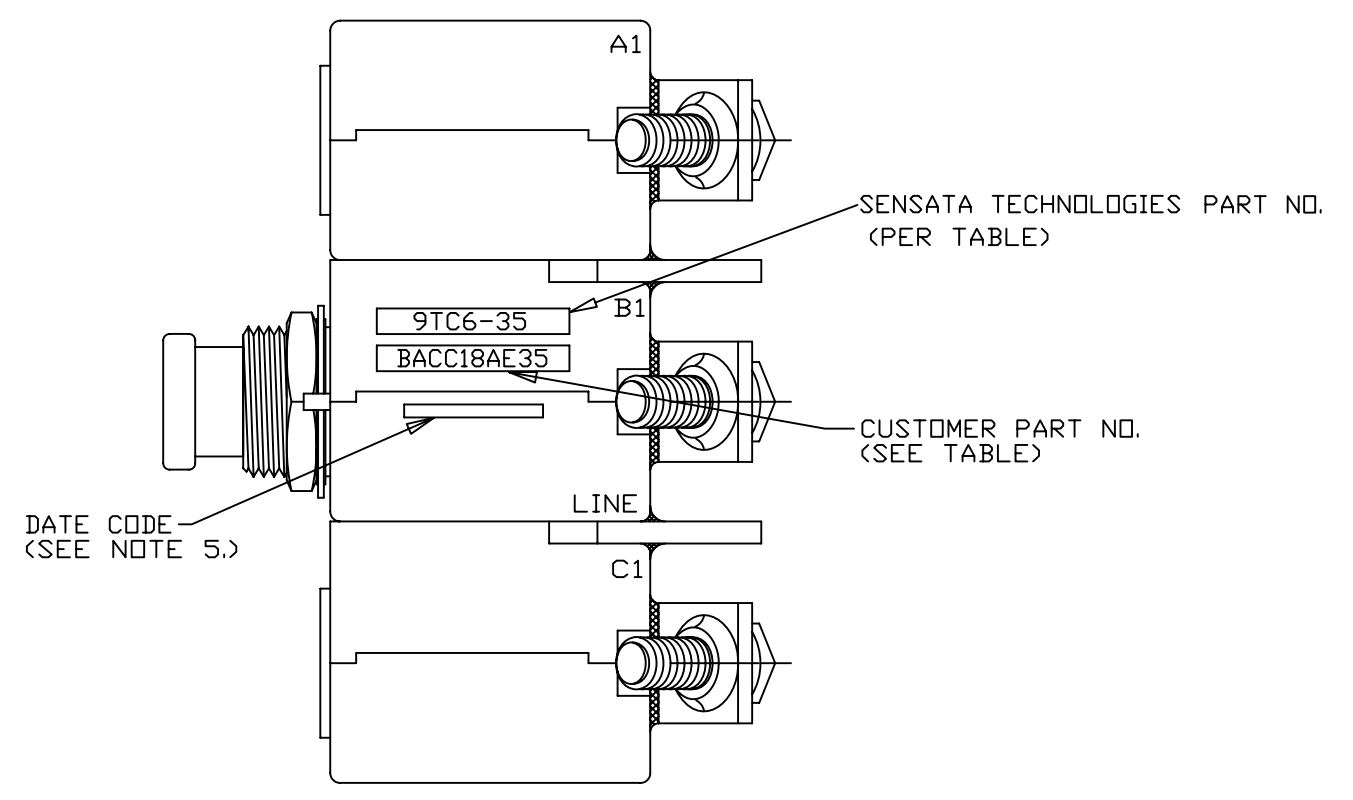
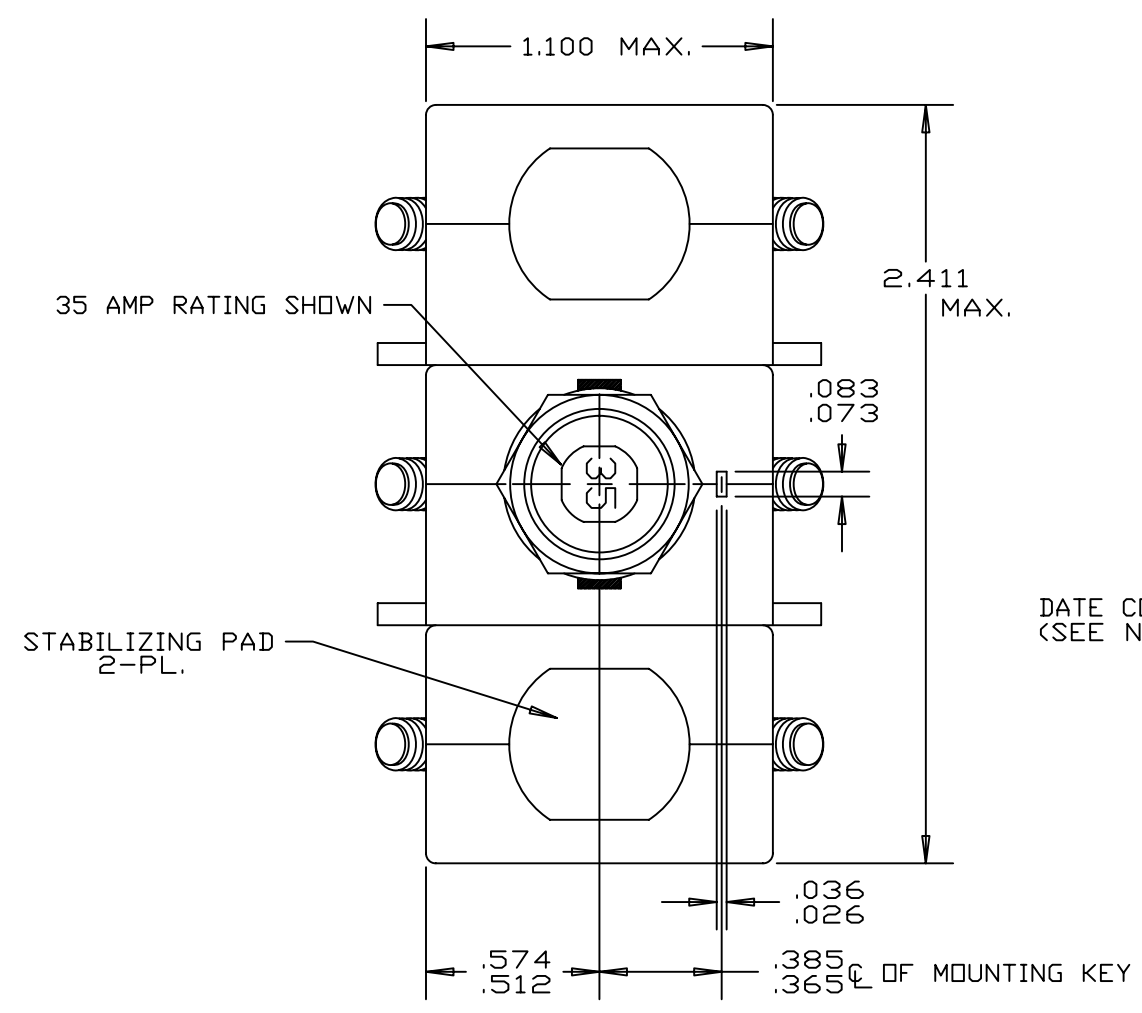


Property of  
Sensata Technologies

ZONE	REV.	REVISION DESCRIPTION	ECN NO.	DATE
C2 A3	R	REMOVED PMA APPROVED MARKING ON PART & COLUMN IN TABLE; GML	ECO-094918	18-DEC-2013



PERFORMANCE CHARACTERISTICS

DETAIL PERFORMANCE PER ASS8091

OVERLOAD CYCLING	-----100 CYCLES AT 200% RATING			
VIBRATION	-----10 G'S MINIMUM 50-500 HZ			
MECHANICAL SHOCK	-----50 G'S			
ACCELERATION	-----10 G'S			
SAND AND DUST	-----12 HOURS			
CORROSION	-----SALT SPRAY 48 HOURS			
HUMIDITY	-----10 DAYS			
EXPLOSION PROOF	-----WHILE INTERRUPTING RUPTURE CURRENTS			

ENDURANCE:	120 VAC	400 HZ INDUCTIVE	2500 CYCLES
	MECHANICAL	400 HZ RESISTIVE	5000 CYCLES
		NO LOAD	5000 CYCLES

SINGLE * OR THREE PHASE CALIBRATION:	1 AMP, 15 AMP THRU 35 AMP			
	MIN. ULT. TRIP	MAX. ULT. TRIP	200%	500%
+25°C, +77°F	110% RATING	145% RATING	4-20 SEC.	.40-2.0 SEC.
-55°C, -65°F	110% RATING	165% RATING	6-40 SEC.	.55-3.5 SEC.
+71°C, +160°F	100% RATING	145% RATING	3-20 SEC.	.33-1.7 SEC.
				.10-.53 SEC.
				.15-.80 SEC.
				.08-.40 SEC.

RUPTURE (PER BPS-C-144):	15 AMP THRU 35 AMP	205 VAC, 400 HZ	2800 AMPS
--------------------------	--------------------	-----------------	-----------

MAXIMUM OPERATING FORCES			
PULL OUT	-----12 LBS. MAX.	/2 LBS. MIN.	
RESET	-----12 LBS. MAX.		

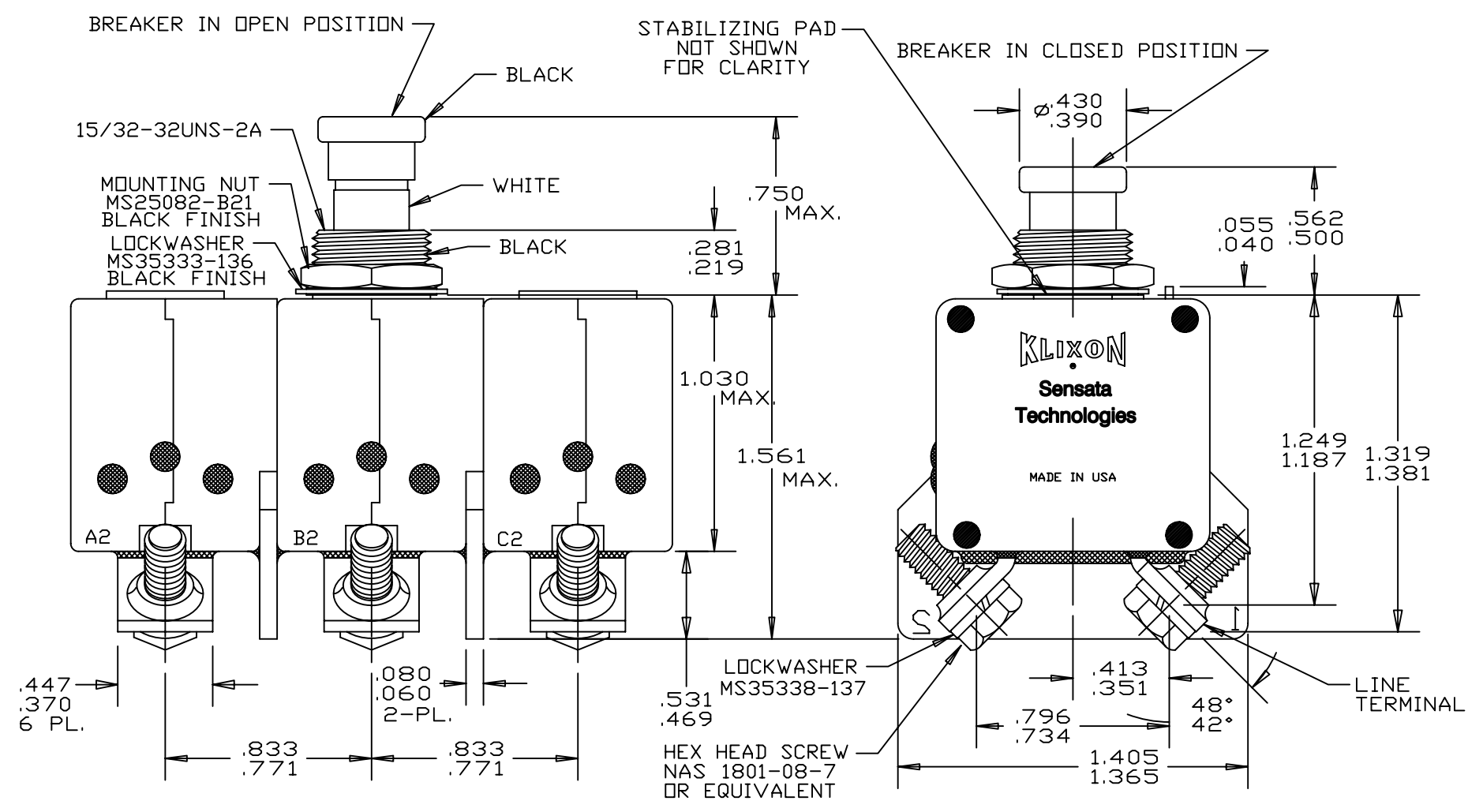
  

OPERATING ALTITUDE: 70,000 FT. (21,000 M)

WEIGHT: 110.0 GRAMS MAX. (0.242 LBS.)

VOLTAGE DROP:

15 AMP	-----0.25 VOLTS MAX.
20 AMP	-----0.25 VOLTS MAX.
25 AMP	-----0.25 VOLTS MAX.
30 AMP	-----0.25 VOLTS MAX.
35 AMP	-----0.25 VOLTS MAX.



- NOTES:
1. EPOXY SURFACES ARE NON-DIMENSIONED, ENVELOPE DRAWING DIMENSIONS DO NOT APPLY TO THESE PROJECTED EPOXY SURFACES.
  2. ---
  3. TERMINAL AND MOUNTING HARDWARE MAY BE PACKAGED RATHER THAN INSTALLED.
  4. COUNTRY OF ORIGIN IS SHOWN FOR ILLUSTRATION PURPOSES ONLY. COUNTRY OF ORIGIN TO BE IDENTIFIED AS REQUIRED.
  5. DATE CODE PER 10588-285.
  6. ALL MARKINGS TO BE MADE IN APPROXIMATE POSITIONS SHOWN, WITH BLACK INK PER 1250670; 3/32 INCH HIGH CHARACTERS.

9TC6-35	BACC18AE35
9TC6-30	-
9TC6-25	BACC18AE25
9TC6-20	BACC18AE20
9TC6-15	BACC18AE15
SENSATA PART NO.	CUSTOMER PART NO.
MARKING REQUIREMENTS	

FOR REFERENCE ONLY, CHECK LATEST REVISION BEFORE USE. PARTS MADE TO THIS PRINT MUST CONFORM TO E9898 REV. E		<p>529 PLEASANT STREET P.O. BOX 2964 ATTLEBORO, MA 02703</p>	
DRAWN TOM DAIL DATE 08-MAR-1990 ENGINEER JOHN FOWLER DATE 17-MAR-1993 APPROVED E.QUINTEROS DATE 22-SEP-2005 APPROVED NAULT/FERREIRA DATE 22-SEP-2005	NEITHER THIS PRINT NOR THE INFORMATION CONTAINED HEREON IS TO BE USED AGAINST THE INTERESTS OF SENSATA TECHNOLOGIES, INC. OR AGAINST THE INTERESTS OF ANY OF ITS AFFILIATED COMPANIES OR WHOLLY OWNED SUBSIDIARIES  UNLESS OTHERWISE SPECIFIED DIMENSIONS ARE IN INCHES TOLERANCES DECIMALS ANGLES		TITLE PART NO. 9TC6 AMBIENT COMPENSATED, HIGH TEMP. CIRCUIT BREAKER PUSH-PULL, TRIP FREE ENVELOPE DRAWING  DWG NO. <b>9TC6</b> REV. R
THIRD ANGLE PROJECTION	DO NOT SCALE DRAWING	SIZE C	SCALE 1:1   AUTOCAD   SHEET 1 OF 1