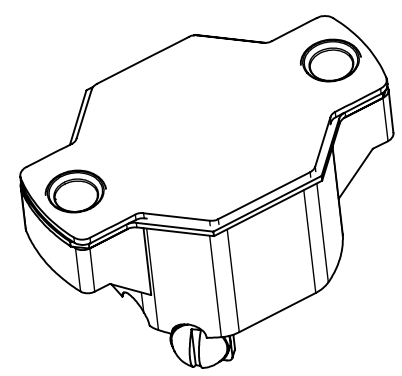
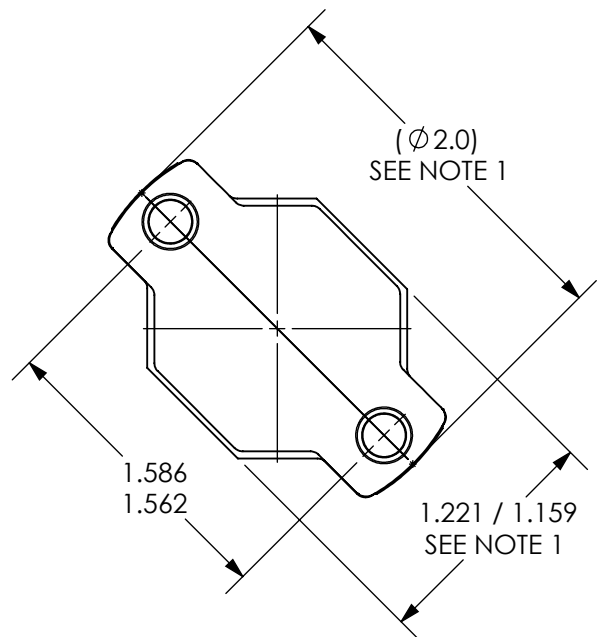


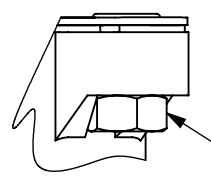
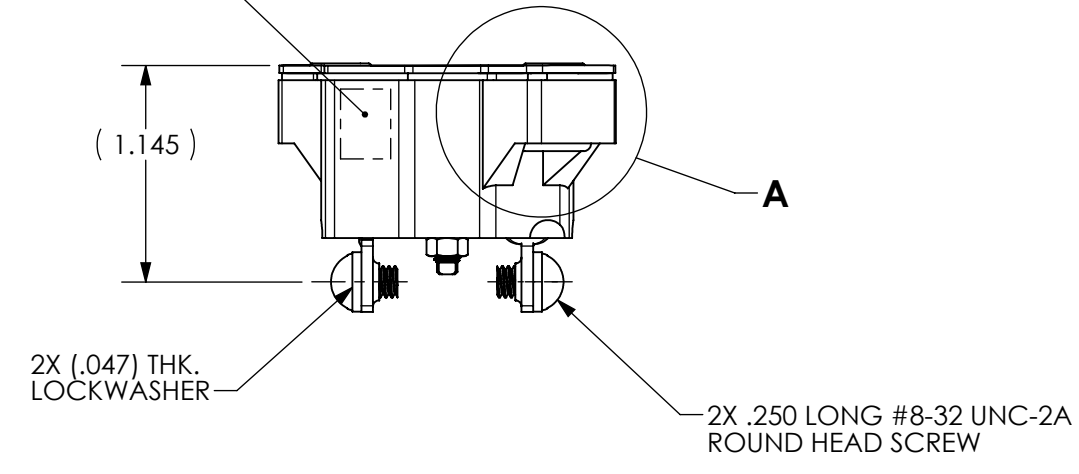
ZONE	REV.	REVISION DESCRIPTION	ECN NO.	DATE
A1	R	DRAWING TITLE WAS "PDA CIRCUIT BREAKER PRECISION, WEATHERPROOF AUTOMATIC, RESET TYPE ENVELOPE DRAWING".	ECN0047126	23-JAN-2009
C1		ENDURANCE WAS "COMPLIES WITH SAE J553". DELETED "VOLTAGE DROP: 12.5-40 AMP SAE J553". DIELECTRIC STRENGTH WAS "1500 VAC MINIMUM". INSULATION RESISTANCE WAS "100 MOHM MINIMUM". DELETED "MECHANICAL SHOCK RESISTANCE: 100G". SALT SPRAY WAS "MIL-STD-202 METHOD 101D". "WEIGHT: 41 GRAMS MAX" WAS "WEIGHT: WITH INSERTS: 41 GRAMS MAX."; PAF		



PERFORMANCE CHARACTERISTICS

VOLTAGE RATING	30 VDC/120 VAC
200% OVERLOAD	
2-10 AMPS	20-150 SECONDS
12.5-40 AMPS	8-50 SECONDS
ULTIMATE TRIP % AT 77° F RATED CURRENT	
MINIMUM	110%
MAXIMUM	138%
INTERRUPT CAPACITY	SAE J553 AND ABYC-E11
ENDURANCE	CYCLED 30 MINUTES AT 400% RATED CURRENT
DIELECTRIC STRENGTH	1500 VAC MINIMUM MIL-STD-202 METHOD 301
INSULATION RESISTANCE	100 MΩ MINIMUM MIL-STD-202 METHOD 302 CONDITION B
VIBRATION RESISTANCE	10G MIL-STD-202 METHOD 204 CONDITION A
SALT SPRAY	96 HOURS PER SAE J1455
IGNITION PROTECTED	SAE J1171
WEATHERPROOF	SAE J553
WEIGHT	41 GRAMS MAX.
UL LISTED	E 36869

PART NUMBER AND DATE CODE LOCATION



OPTIONAL 2X #8-32 UNC-2B THREADED LOCKING MOUNTING BUSHING FURNISHED ONLY WHEN SPECIFIED ON ORDER.

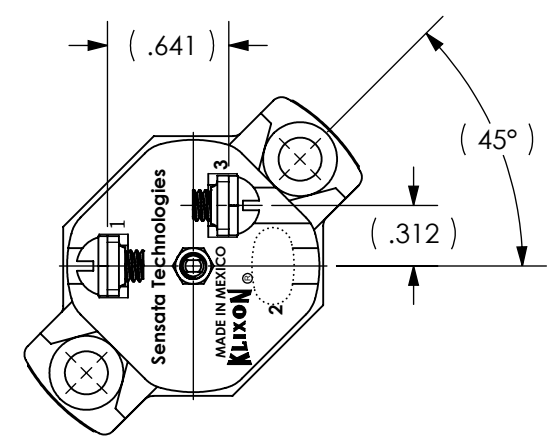


FIG. #1
BOTTOM VIEW FOR 2 AMP THRU 10 AMP

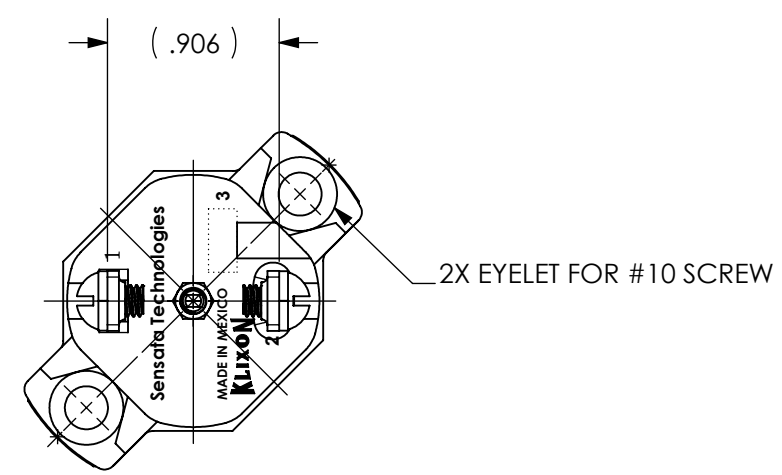


FIG. #2
BOTTOM VIEW FOR 12 1/2 AMP THRU 40 AMP

NOTES:

- 1. DIMENSION DOES NOT INCLUDE SEALING GASKET.

PDA-40	40	2	PDA-40-I
PDA-35	35	2	PDA-35-I
PDA-30	30	2	PDA-30-1
PDA-25	25	2	PDA-25-I
PDA-20	20	2	PDA-20-I
PDA-17½	17½	2	PDA-17½-I
PDA-15	15	2	PDA-15-I
PDA-12½	12½	2	PDA-12½-I
PDA-10	10	1	PDA-10-I
PDA-8	8	1	PDA-8-I
PDA-6	6	1	PDA-6-I
PDA-5	5	1	PDA-5-I
PDA-4	4	1	PDA-4-I
PDA-3	3	1	PDA-3-I
PDA-2	2	1	PDA-2-I
PART NO.	AMP RATING	FIGURE NO.	PART NO. WITH THREADED INSERTS

FOR REFERENCE ONLY, CHECK LATEST REVISION BEFORE USE. PARTS MADE TO THIS PRINT MUST CONFORM TO E9898 REV. E.

DRAWN
C.RODZEN
DATE 10-JUL-2007
ENGINEER
R.GENEREUX
DATE 10-JUL-2007
APPROVED
P.BERG
DATE 10-JUL-2007
APPROVED
V.RAMIREZ
DATE 10-JUL-2007

SENSATA TECHNOLOGIES PROPRIETARY AND CONFIDENTIAL. NEITHER THIS PRINT NOR THE INFORMATION CONTAINED HEREON IS TO BE USED AGAINST THE INTERESTS OF SENSATA TECHNOLOGIES OR AGAINST THE INTERESTS OF ANY OF ITS AFFILIATED COMPANIES OR WHOLLY OWNED SUBSIDIARIES.
UNLESS OTHERWISE SPECIFIED DIMENSIONS ARE IN INCHES
TOLERANCES
DECIMALS ANGLES
X.XXX ±0.031 X° ±5°
DO NOT SCALE DRAWING
THIRD ANGLE PROJECTION

Sensata Technologies
529 PLEASANT STREET
P.O. BOX 2964
ATTLEBORO, MA 02703

TITLE
AUTOMATIC RESET CIRCUIT BREAKER

SIZE	DWG NO.	REV.
C	PDA	R
SCALE	1:1	SOLIDWORKS
SHEET 1 OF 1		