

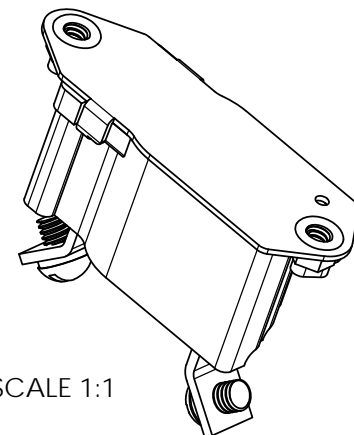
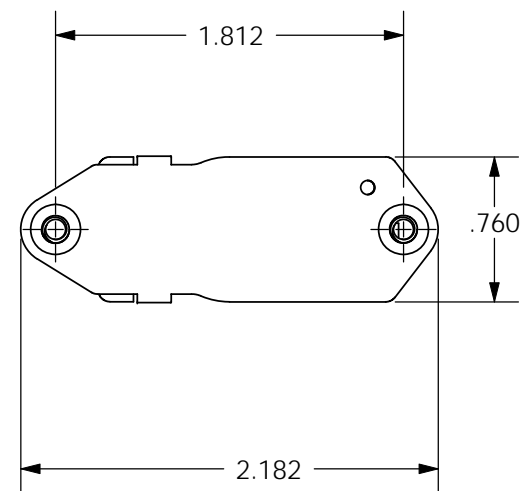
4

3

2

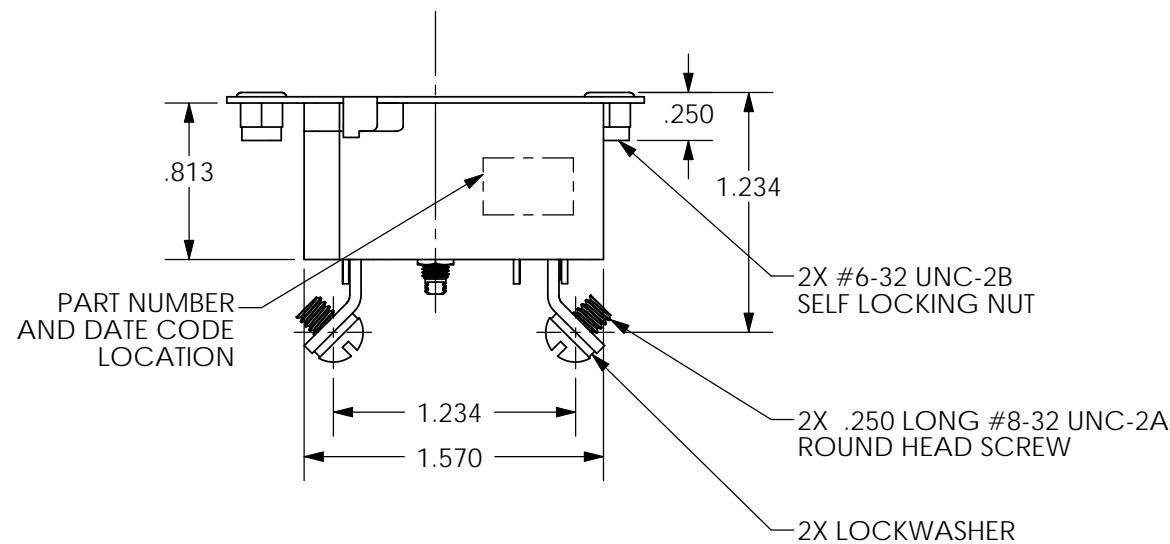
1

ZONE	REV.	REVISION DESCRIPTION	ECN NO.	DATE
C2 B2	E	600 AMPS WAS 900 AMPS; A-A-55571/5 WAS A-A-55571/5C; PSA-SH1 WAS PSASH1 (DRAWING TITLE) C.A.R.	ECN0044567	10-SEP-2008



**PSA
Performance Characteristics**

Voltage Rating	30VDC
200% Overload	
2-10 amps	20 -150 seconds
12 1/2 -35 amps	8-50 seconds
Ultimate Trip % at 77° F rated current	
Minimum	100%
Maximum	138%
Interrupt Capacity	600 AMPS, tested per SAE J553
Endurance	2000 cycles at 200%
Dielectric Strength	1500 VAC minimum - MIL-STD-202 Method 301
Insulation Resistance	100 MΩ minimum - MIL-STD-202 Method 302 Condition B
Vibration Resistance	10G MIL-STD-202 Method 204 Condition A
Mechanical Shock Resistance	100G MIL-STD-202 Method 213 Condition C
Weight:	30 grams max.
UL Listed	E36869
CID number	A-A-55571/5



PSA-10	10	001
PSA-8	8	
PSA-6	6	
PSA-5	5	
PSA-4	4	
PSA-3	3	
PSA-2	2	
PART NO.	AMP RATING	CID A-A-55571/05-

FOR REFERENCE ONLY, CHECK LATEST REVISION BEFORE USE.
PARTS MADE TO THIS PRINT MUST CONFORM TO E9898 REV. E.

DRAWN
E.B.CARPENTER
DATE 08-MAR-1960

ENGINEER
D.APPLETON
DATE 08-MAR-1960

APPROVED

DATE

APPROVED

DATE

SENSATA TECHNOLOGIES PROPRIETARY AND CONFIDENTIAL. NEITHER THIS PRINT NOR THE INFORMATION CONTAINED HEREON IS TO BE USED AGAINST THE INTERESTS OF SENSATA TECHNOLOGIES OR AGAINST THE INTERESTS OF ANY OF ITS AFFILIATED COMPANIES OR WHOLLY OWNED SUBSIDIARIES.

UNLESS OTHERWISE SPECIFIED
DIMENSIONS ARE IN INCHES
TOLERANCES
DECIMALS ANGLES
X.XXX ± 0.031

DO NOT SCALE DRAWING

THIRD ANGLE PROJECTION

Sensata Technologies 529 PLEASANT STREET
P.O. BOX 2964
ATTLEBORO, MA 02703

TITLE
**AUTOMATIC RESET
CIRCUIT BREAKER
LOW AMP**

SIZE DWG NO. REV.
B PSA-SH1 E

SCALE 1:1 SOLIDWORKS SHEET 1 OF 1

4

3

2

1

DEVICE:

PROJECT: