



20TC Series Circuit Breakers

Rocker Actuated Switch Type

Features

- Versatile rocker actuator – snap-on, switch type in various styles and colors for panel mounting
- Provides dual function – “ON/OFF” circuit switching and protection



20TC2

Overview

The Klixon 20TC series circuit breaker offers the advantages of integrating an on/off switch and a circuit protector in a trim, compact package. The snap-on actuators are available on request in a variety of colors, styles and indication markings. They are designed to provide a stylish console appearance to the panels of light aircraft, pleasure boats,

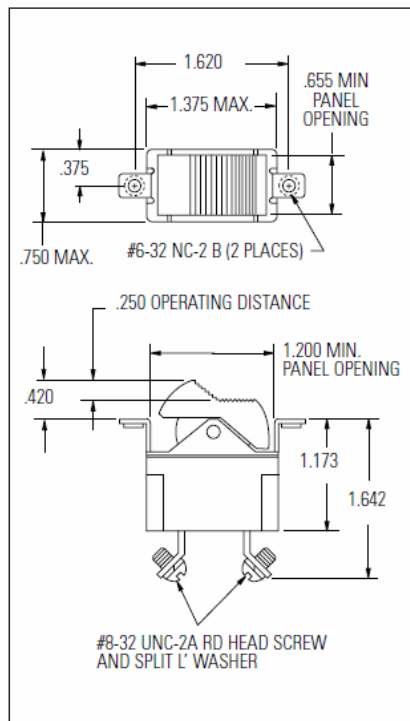
home appliances, office reproducing and calculating machines, and data processing equipment.

Several different types of actuators are available. The translucent actuator permits quick identification of the actuator position under low ambient lighting conditions by emitting a soft glow from a light source, such as an edge lighted panel. Colored

actuators will be hot letter stamped in white. White and translucent actuators will be stamped in black.

The growing demand for a highly stylized and aesthetic panel appearance has generated the need for the 20TC. The basic mechanism has been proven for reliability in a wide variety of applications.

Envelope Drawings



Rocker Button Options (SR12507-156-X)

- 1 PUSH ON / LNDG LITE
- 2 PUSH ON / NAV LITE
- 3 PUSH ON / ANTI COLL
- 4 PUSH ON / PITOT HEAT
- 5 PUSH ON / BOOST PUMP
- 6 PUSH ON / GLIDE SLOPE
- 7 PUSH ON MKR BCN
- 8 PUSH ON / STROBE LITE
- 9 OFF
- 10 OFF
- 11 "SR TO INVERT MARKING"
- 13 PUSH ON / ROT BCN
- 16 PUSH ON / ELEV TRIM
- 18 PUSH ON / RADIO MASTER
- 19 PUSH ON / LDG LITE
- 20 ON / OFF
- 21 OFF
- 22 "COLORED BOX"
- 23 OFF
- 25 ON / OFF
- 26 OFF / ON
- 27 PUSH ON / LOW BOOST
- 28 PUSH ON / HIGH BOOST
- 29 PUSH ON / WX RADAR
- 30 PUSH ON / PROP DE ICE
- 33 PUSH ON / STBY VAC
- 34 NO ACTUATOR
- 35 ON / OFF

Code System

