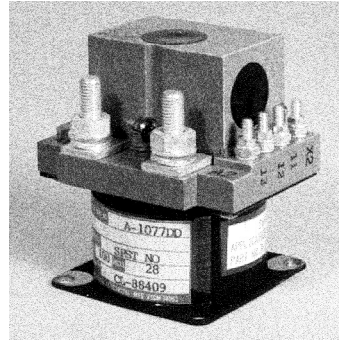


A1077 Series, Rated up to 200 Amps, 28 Vdc

See Part Number Listing on Last Page

Product Facts

- SPST NO, Double Break or SPDT Double Break
- Gasket Sealed
- Auxiliary contacts available
- Meets many requirements of MIL-PRF-6106



For factory-direct application assistance, phone 419-521-9500 or fax 419-526-2749.

Performance Data

Electrical Characteristics

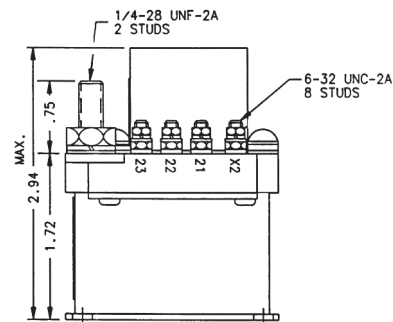
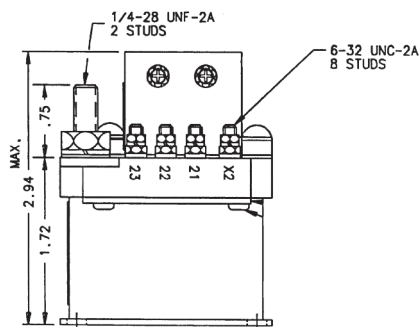
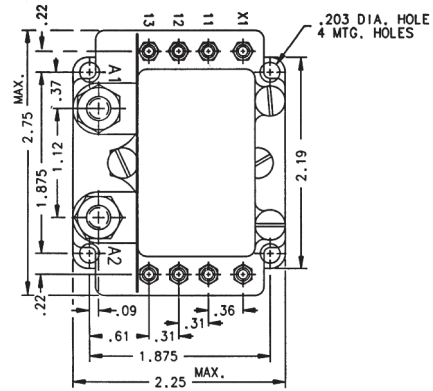
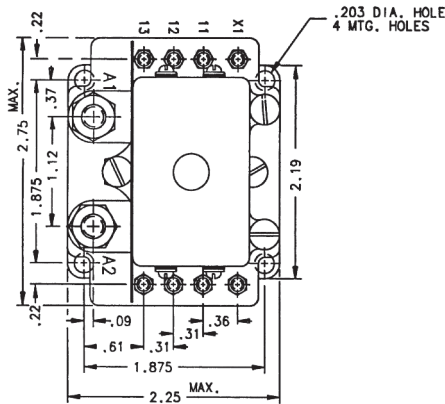
- Contact Arrangement** — SPST NO, Double Break or SPDT Double Break
- Rated Operating Voltage** — 28 Vdc
- Resistive Rating** — 200 Amps
- Inrush Rating** — 800 Amps

General Characteristics

- Temperature Range** — -55°C to +71°C
- Operating Cycles (Life) at Rated Resistive Load, Min.** — 50,000 cycles
- Operating Cycles (Life) Mechanical, Min.** — 100,000 cycles
- Dielectric Strength** — All Circuits to Ground — 1,250 Vrms
Circuit to Circuit — 1,250 Vrms
Coil to Ground and Aux. Contacts — 1,000 Vrms
- Weight** — 1.50 to 1.90 lbs

Coil Characteristics

- Duty Cycle** — Continuous
- Operating Voltage, Max.** — 32 Vdc
- Operating Voltage, Nom.** — 24 Vdc
- Pickup Voltage @ 25°C, Max.** — 16.5 Vdc
- Dropout Voltage** — 1.0 to 7 Vdc

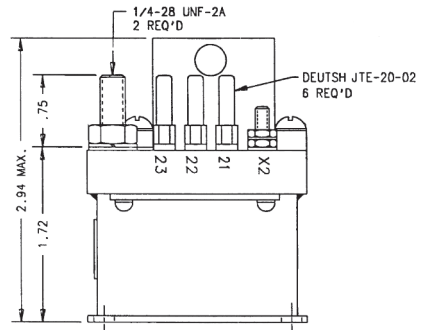
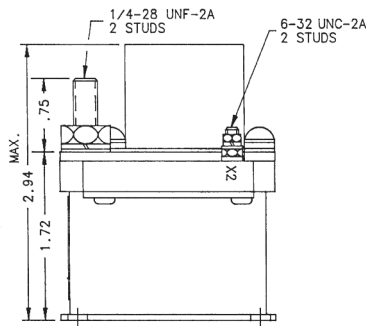
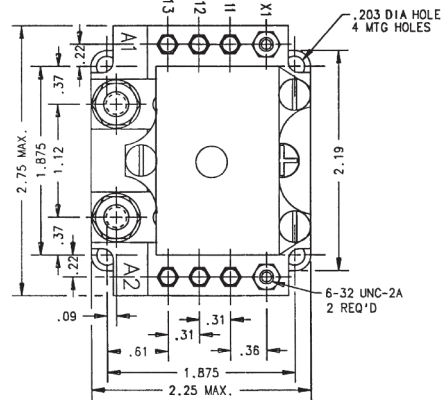
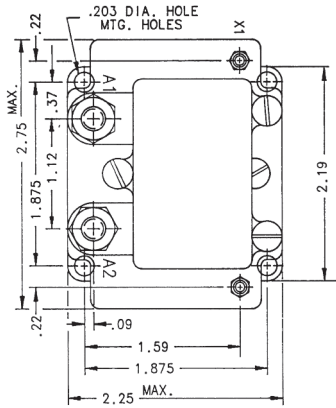


For factory-direct application assistance, phone 419-521-9500

Mounting Style A

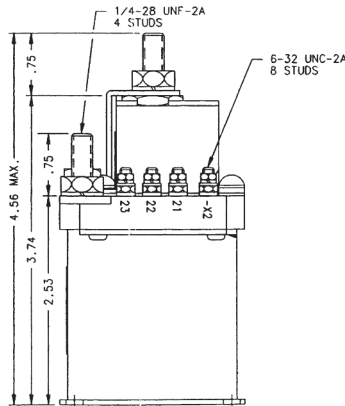
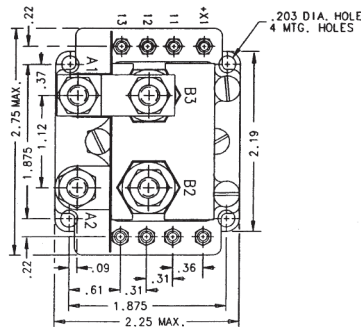
Mounting Style B

A1077 Series, Rated up to 200 Amps, 28 Vdc (Continued)



Mounting Style C

Mounting Style D

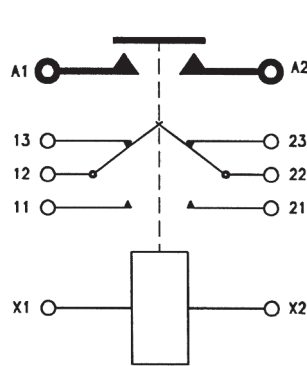


Mounting Style E

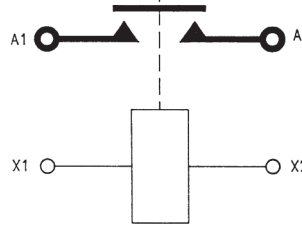
For factory-direct application assistance, phone 419-521-9500 or fax 419-526-2749.

A1077 Series, Rated up to 200 Amps, 28 Vdc (Continued)

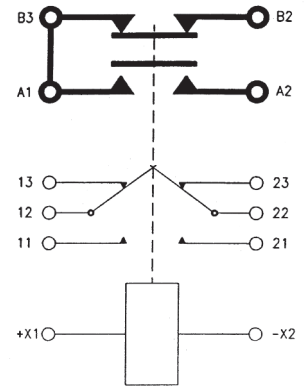
Circuit Configurations (Consult factory for other available circuit configurations)



Circuit Configuration 1



Circuit Configuration 2



Circuit Configuration 3

HARTMAN Part Number	Construction Type	Mounting Style	Coil Type	Circuit Config.	TE Part Number
A-1077D	Gasket Sealed	A	Intermittent	1	1616055-2
A-1077F	Gasket Sealed	B	Continuous	1	1616055-4
A-1077G	Gasket Sealed	C	Continuous	2	1616055-5
A-1077V	Gasket Sealed	D	Continuous	1	1616055-6
A-1077W	Gasket Sealed	E	Continuous	3	1616081-4

For factory-direct application assistance, phone 419-521-9500 or fax 419-526-2749.